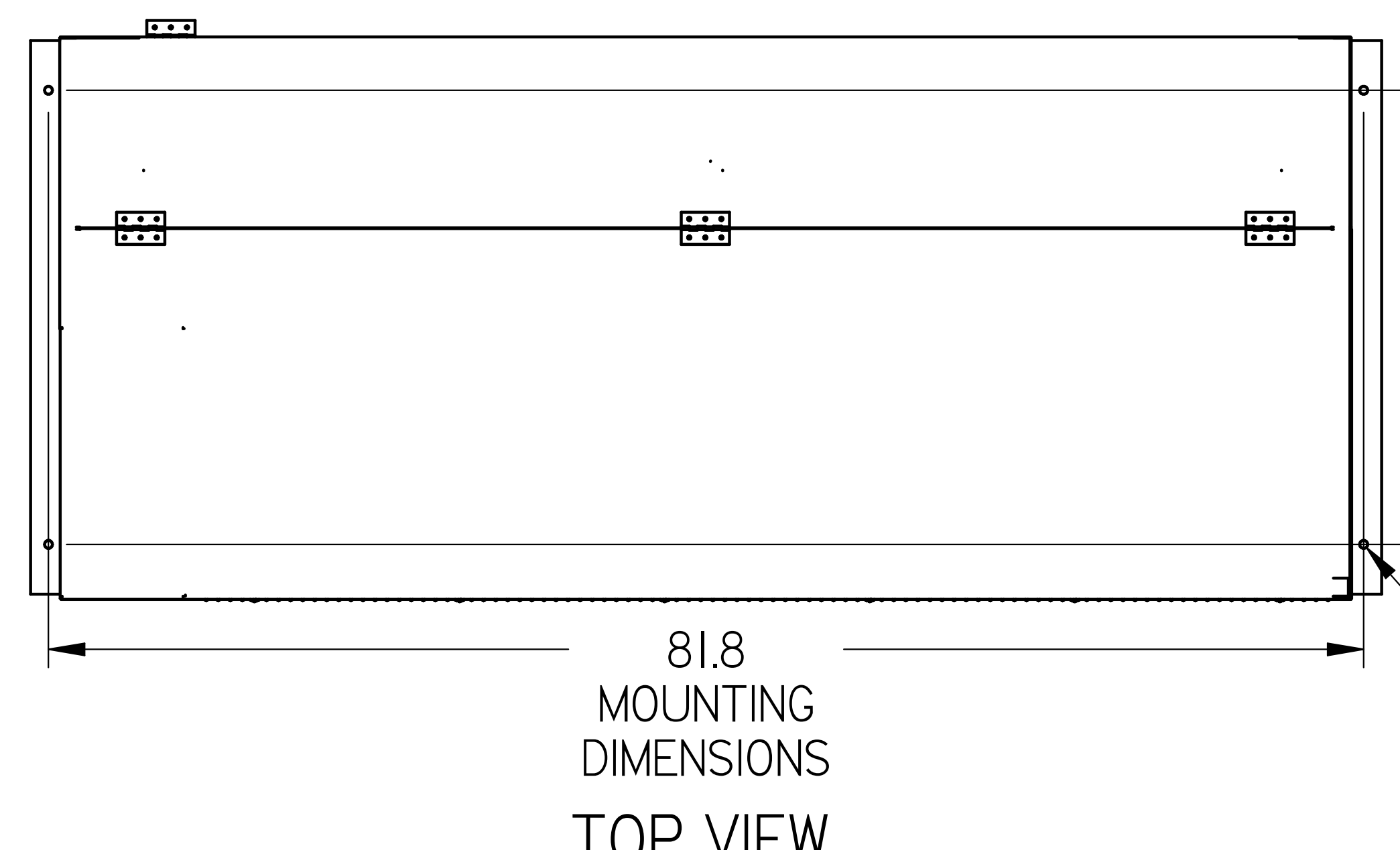
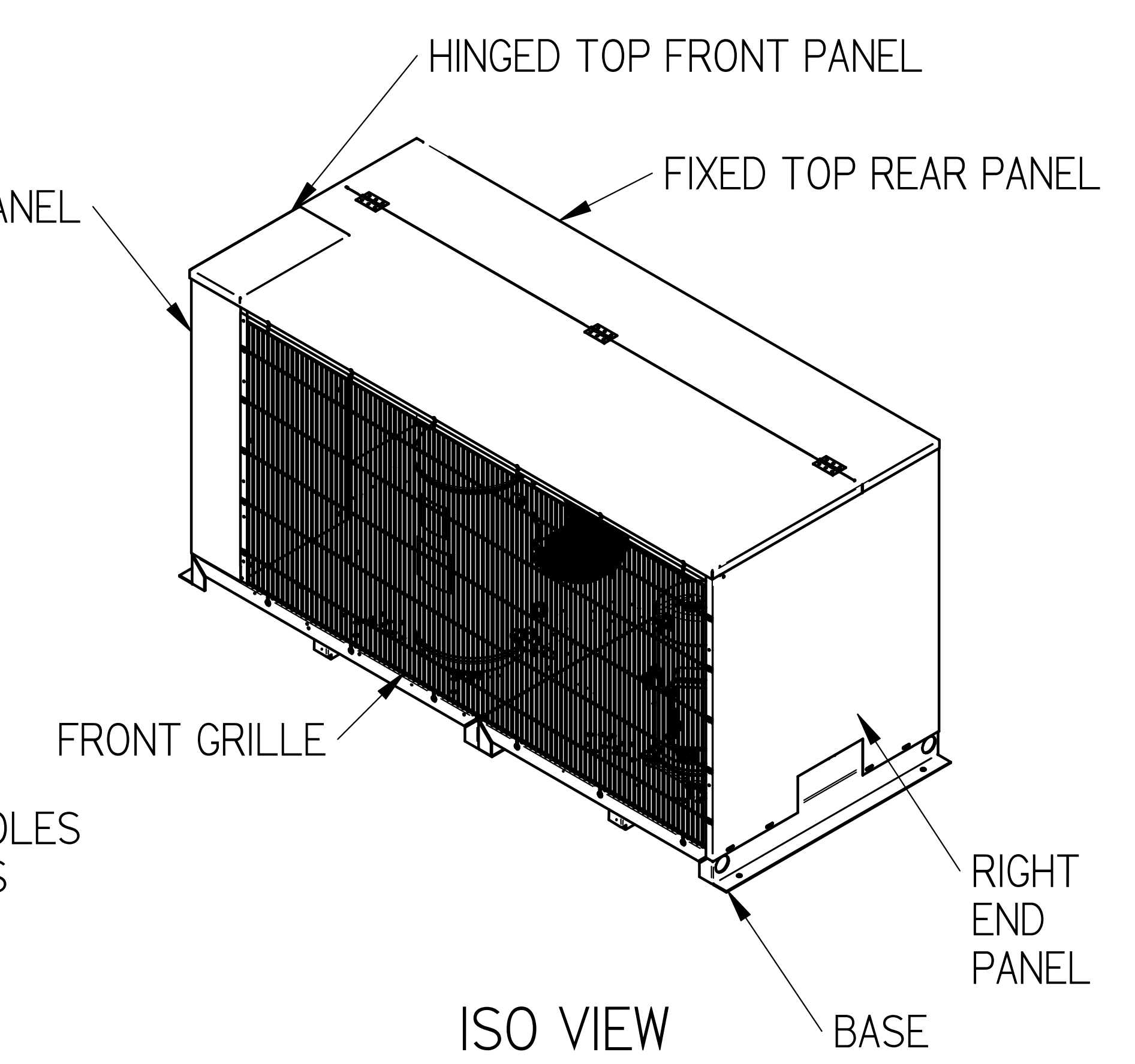


**HIGH EFFICIENCY
H-SERIES
LARGE SIZE
OUTDOOR UNIT
STANDARD BASE**
"HxSx-xxxxxxx-xx-x"
WEIGHT: 1,250 LBS



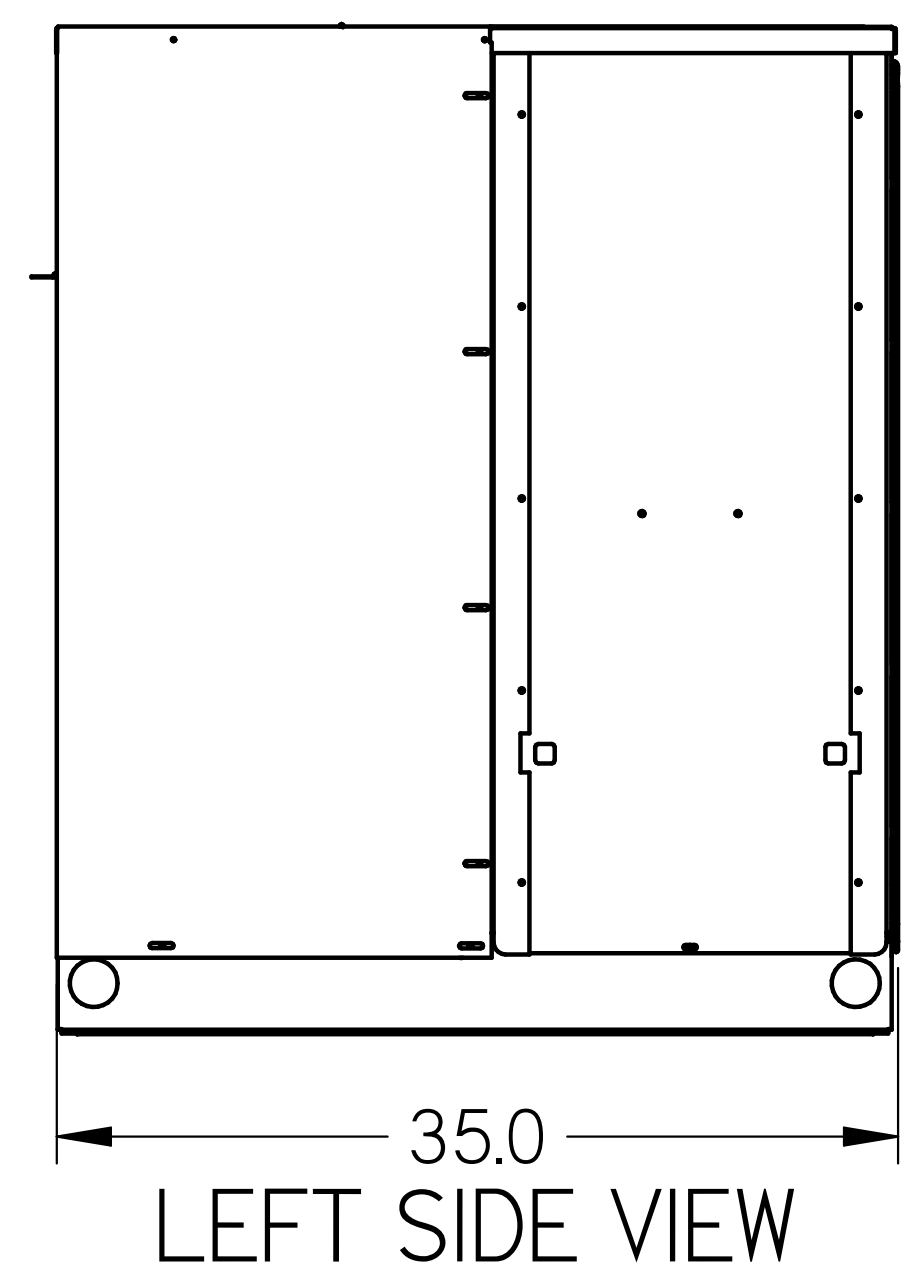
TOP VIEW

CONTROL PANEL
28.2 MOUNTING DIMENSIONS
Ø .500 MOUNTING HOLES 6 PLACES



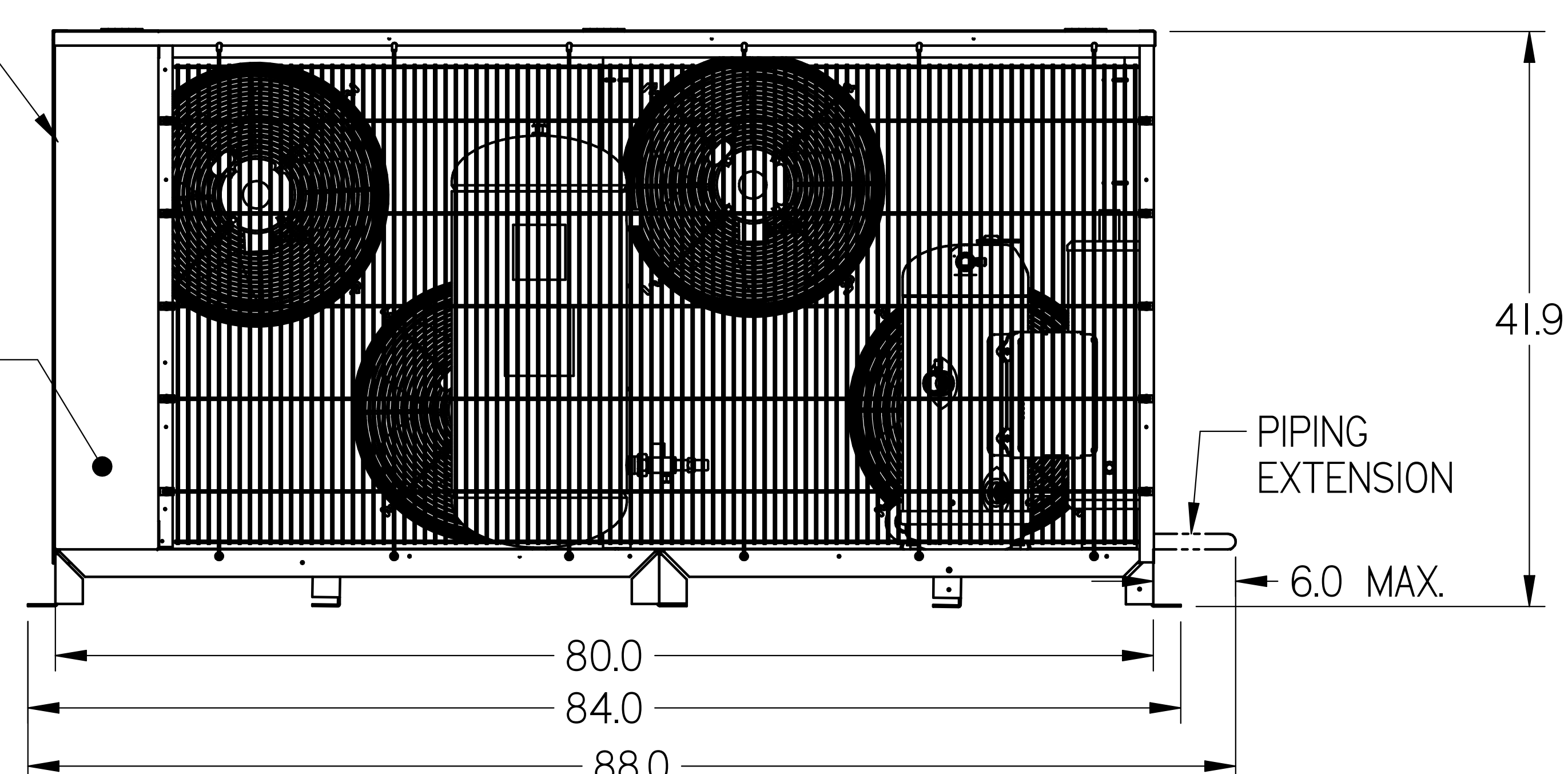
ISO VIEW

CONTROL PANEL FACING LEFT END OF UNIT

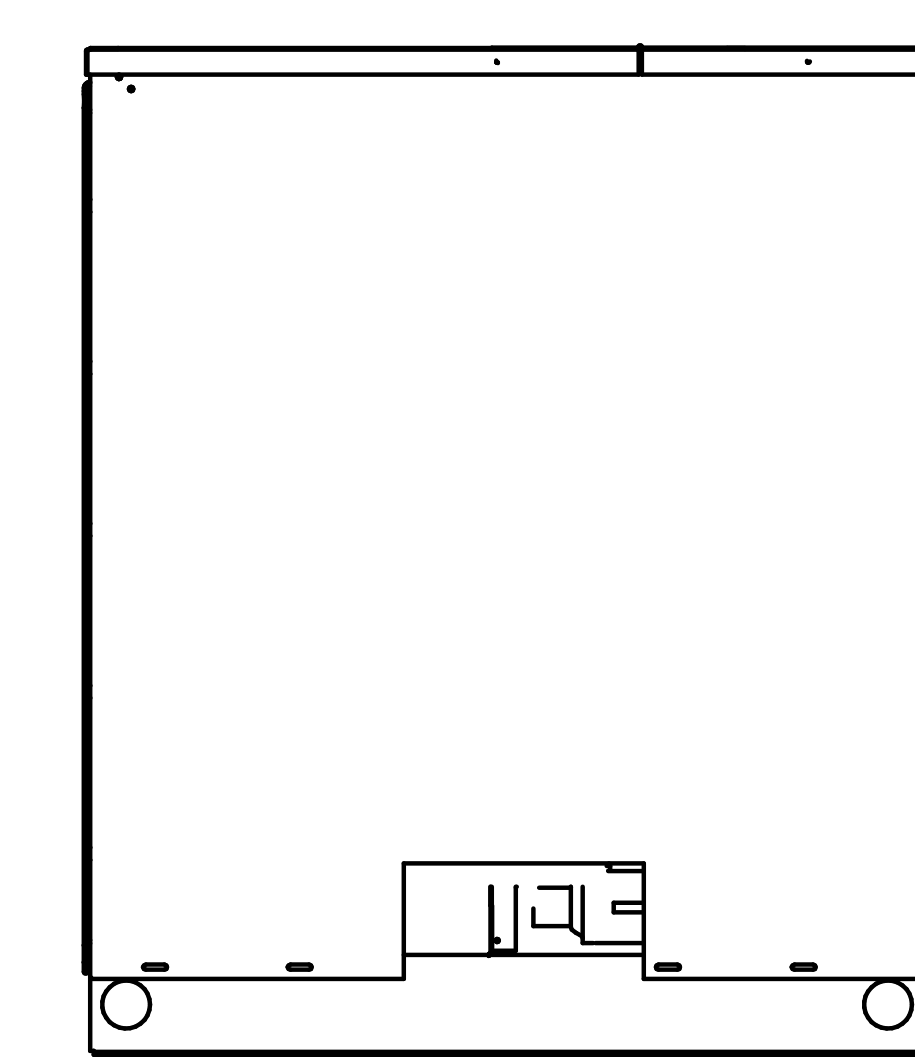


LEFT SIDE VIEW

FIELD LOCATE MAIN ELECTRICAL CONNECTION IN THIS AREA



FRONT VIEW



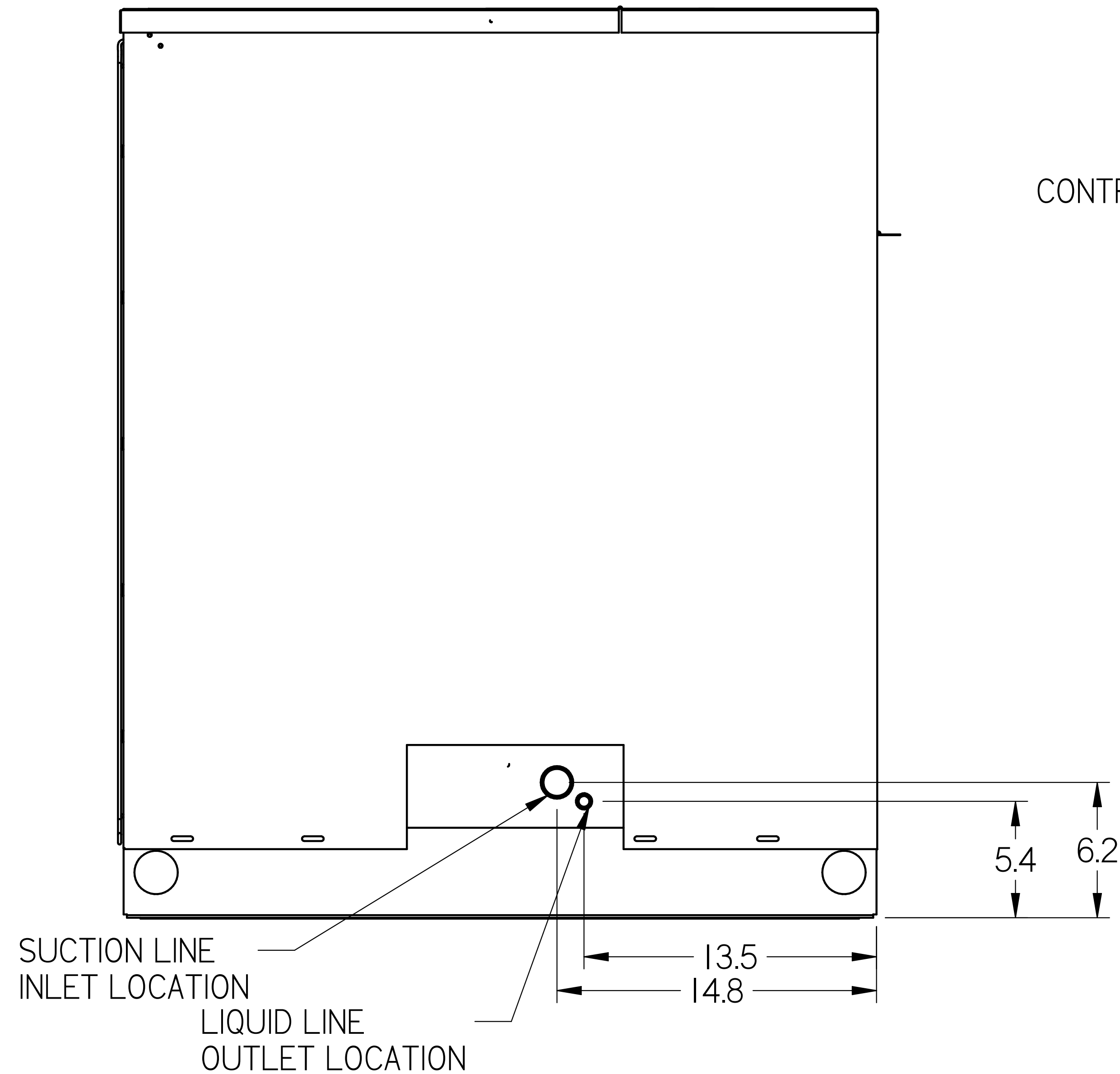
RIGHT SIDE VIEW

- NOTES:
1. IT IS THE RESPONSIBILITY OF THE INSTALLING CONTRACTOR TO ENSURE THAT THE FINAL EQUIPMENT INSTALLATION MEETS ALL APPLICABLE CODE REQUIREMENTS.
 2. ILLUSTRATION SHOWN IS FOR GENERAL REPRESENTATION ONLY. ACTUAL PRODUCT WILL VARY DEPENDENT UPON APPLICATION.
 3. OVERALL DIMENSIONS: 88.0 L X 35.0 W X 41.9 H.

INFORMATION SUBJECT TO CHANGE

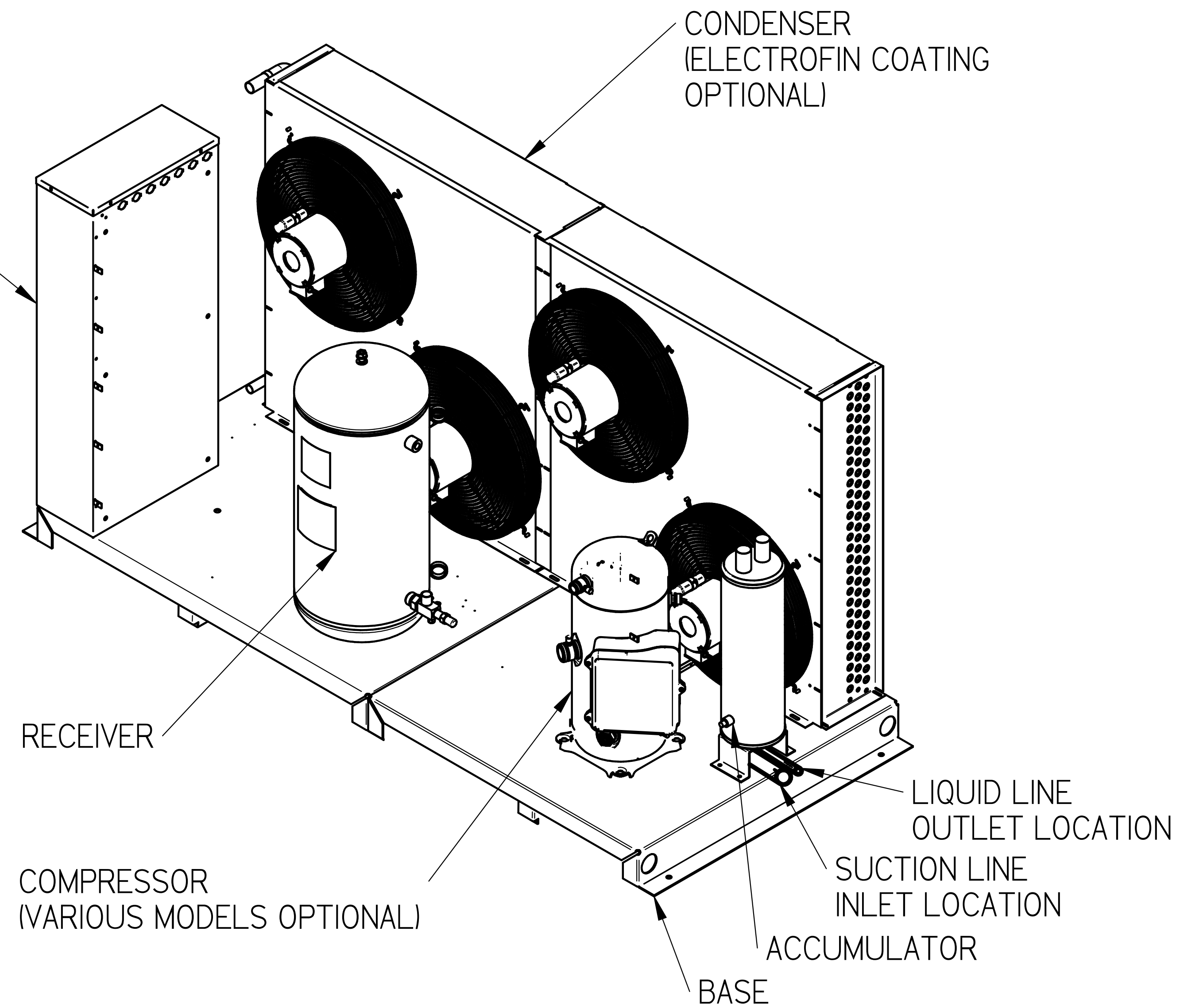
DIMENSIONS ARE IN INCHES. DATE DRAWN: 2017/09/14	HUSSMANN [®]
THIRD ANGLE PROJECTION	
SHEET 1 OF 3	HIGH EFFICIENCY H SERIES LARGE OUTDOOR STD BASE DOC PD-000000015 REV E

SHEET 1 OF 3



PIPING CONNECTION LOCATION
OUT RIGHT SIDE OF UNIT

CONTROL PANEL

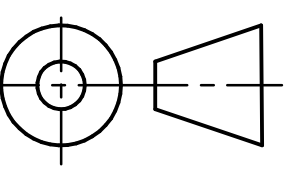


ISO VIEW WITH OUTDOOR HOUSING
REMOVED FOR CLARITY

NOTES:

1. IT IS THE RESPONSIBILITY OF THE INSTALLING CONTRACTOR TO ENSURE THAT THE FINAL EQUIPMENT INSTALLATION MEETS ALL APPLICABLE CODE REQUIREMENTS.
2. ILLUSTRATION SHOWN IS FOR GENERAL REPRESENTATION ONLY. ACTUAL PRODUCT WILL VARY DEPENDENT UPON APPLICATION.
3. OVERALL DIMENSIONS: 88.0 L X 35.0 W X 41.9 H.

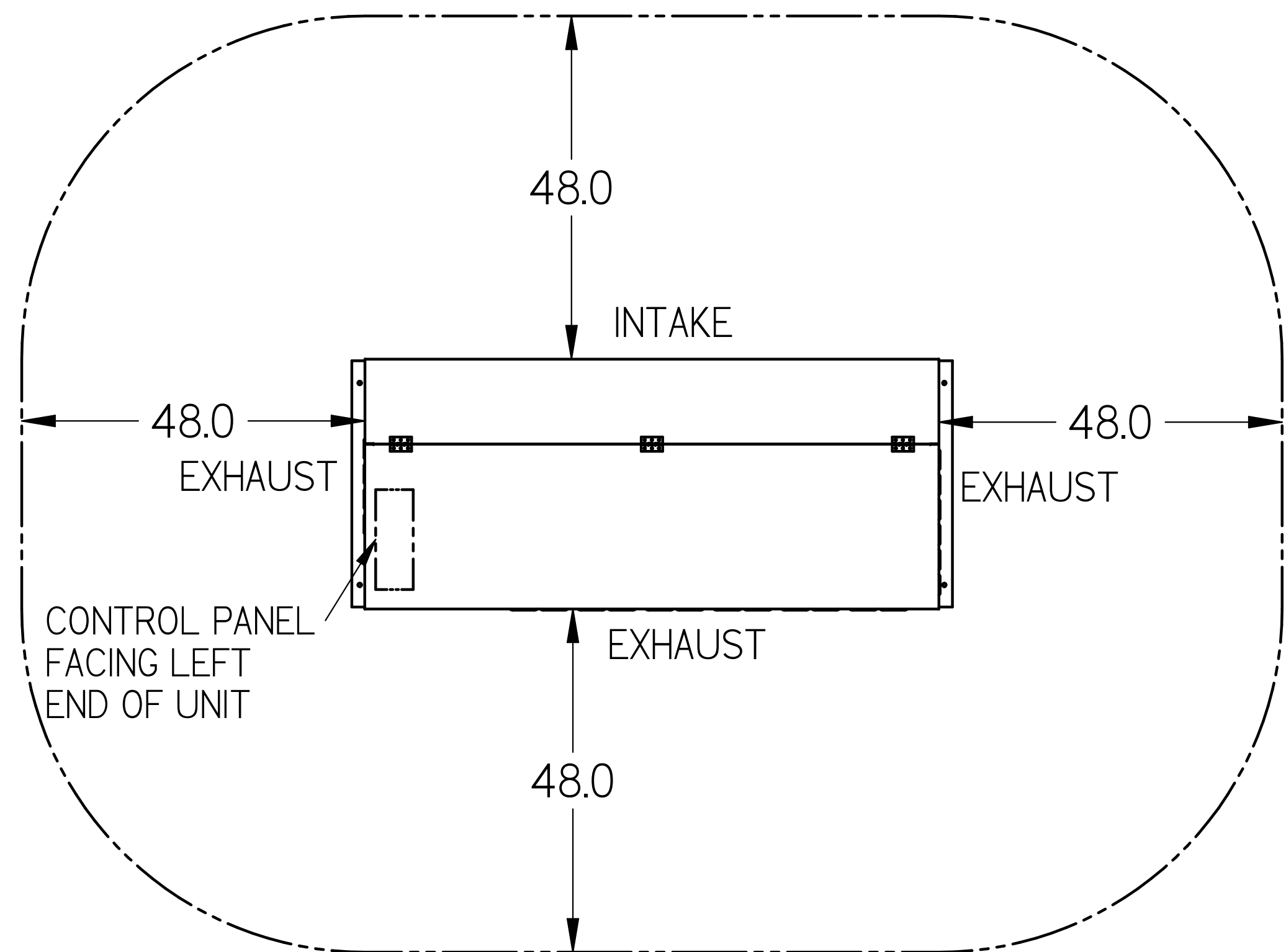
INFORMATION SUBJECT TO CHANGE

DIMENSIONS ARE IN INCHES. DATE DRAWN: 2017/09/14  THIRD ANGLE PROJECTION	HUSSMANN [®] HIGH EFFICIENCY H SERIES LARGE OUTDOOR STD BASE

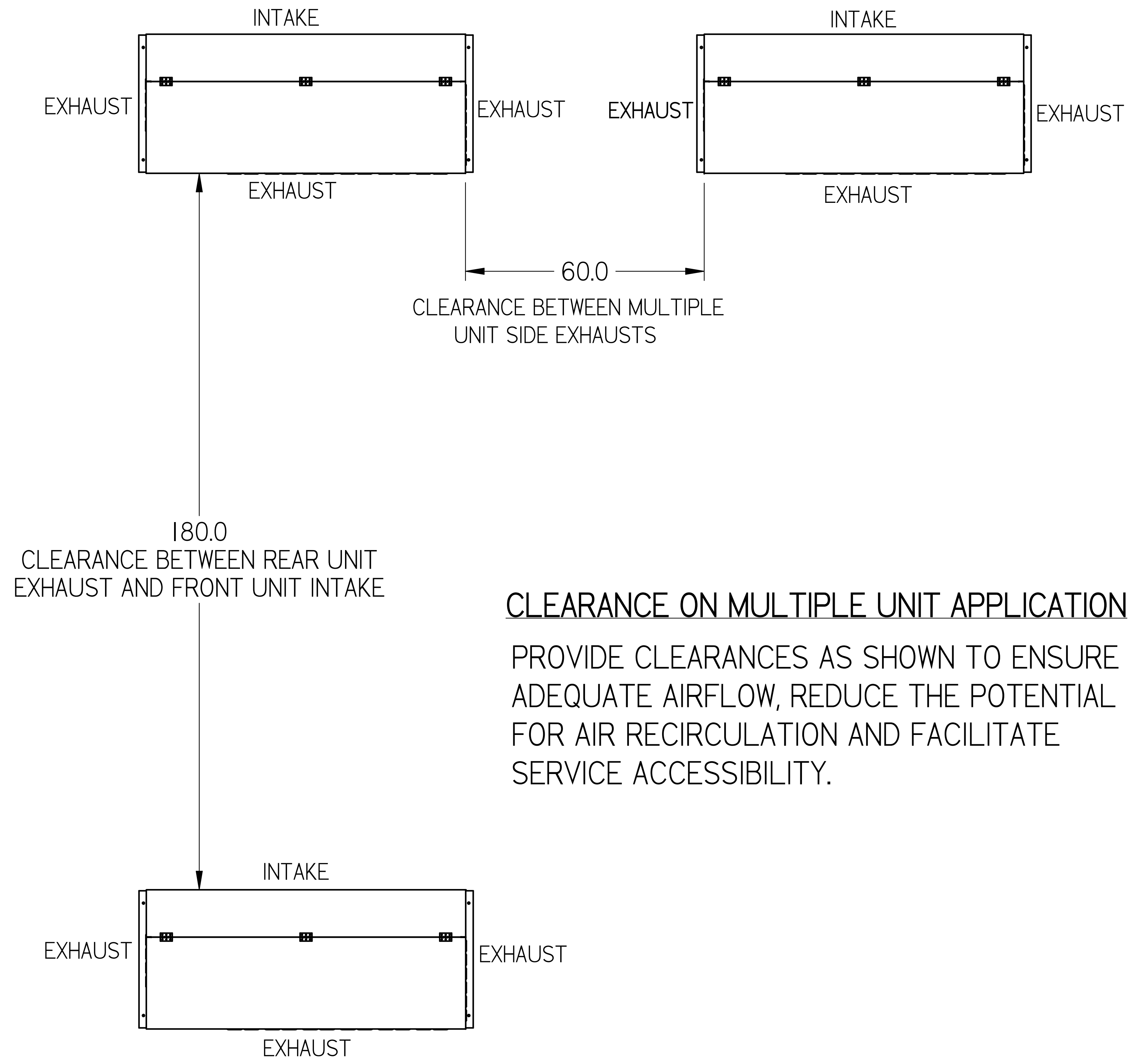
SWN 1.0 SUBMITTAL SHEET SIZE D

MINIMUM CLEARANCE REQUIREMENTS:

ACTUAL CLEARANCE REQUIREMENTS ARE DEPENDENT UPON AUTHORITY HAVING JURISDICTION, AND MAY EXCEED DIMENSIONS SHOWN.



CLEARANCE ON A SINGLE UNIT APPLICATION



CLEARANCE ON MULTIPLE UNIT APPLICATION

PROVIDE CLEARANCES AS SHOWN TO ENSURE ADEQUATE AIRFLOW, REDUCE THE POTENTIAL FOR AIR RECIRCULATION AND FACILITATE SERVICE ACCESSIBILITY.

NOTES:

1. IT IS THE RESPONSIBILITY OF THE INSTALLING CONTRACTOR TO ENSURE THAT THE FINAL EQUIPMENT INSTALLATION MEETS ALL APPLICABLE CODE REQUIREMENTS.
2. ILLUSTRATION SHOWN IS FOR GENERAL REPRESENTATION ONLY. ACTUAL PRODUCT WILL VARY DEPENDENT UPON APPLICATION.
3. OVERALL DIMENSIONS: 88.0 L X 35.0 W X 41.9 H.

INFORMATION SUBJECT TO CHANGE

DIMENSIONS ARE IN INCHES. DATE DRAWN: 2017/09/14	HUSSMANN [®]
THIRD ANGLE PROJECTION	
SHEET 3 OF 3	HIGH EFFICIENCY H SERIES LARGE OUTDOOR STD BASE DOC PD-000000015 REV E

SWN 1.0 SUBMITTAL SHEET SIZE D