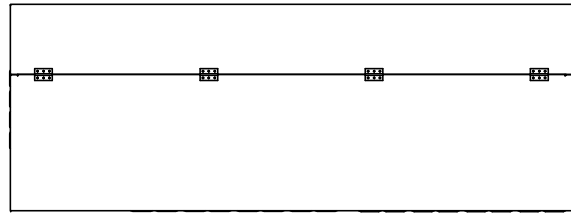
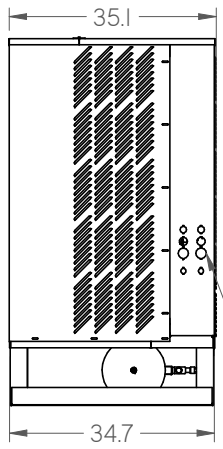


**EXTRA LARGE SIZE
OUTDOOR UNIT
HEAVY DUTY BASE
"HTHX-xxxxxxx-xx-A"
WEIGHT: 1,575 LBS.**

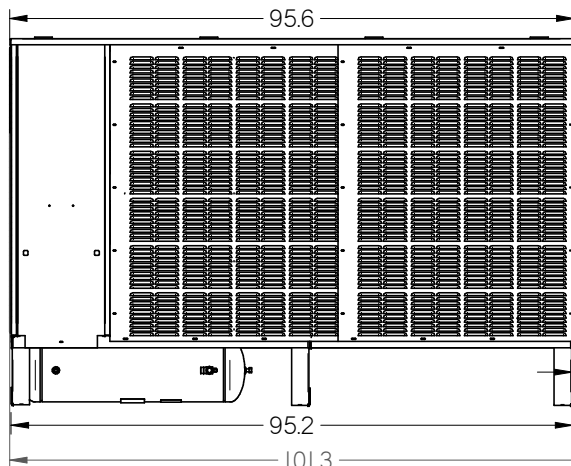


TOP VIEW

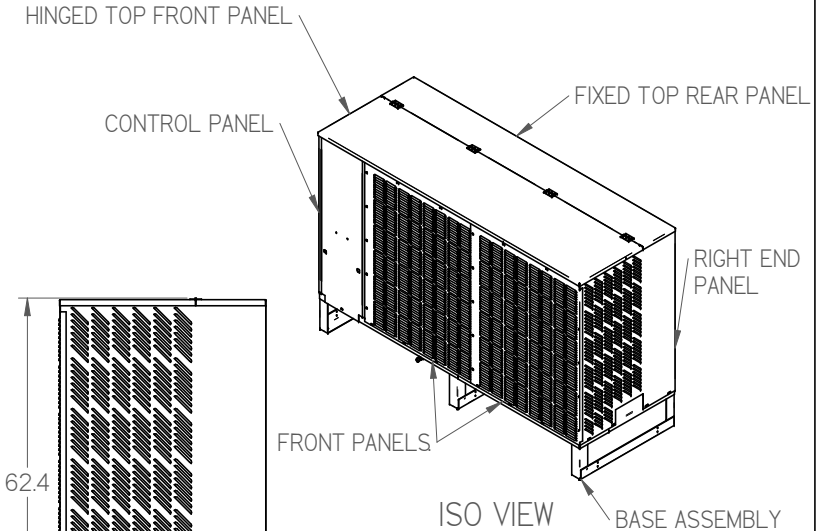


LEFT SIDE VIEW

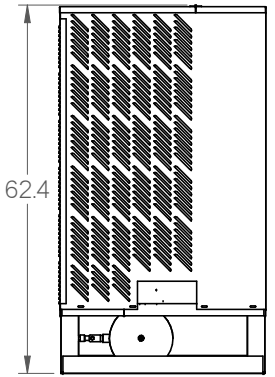
MAIN ELECTRICAL CONNECTION



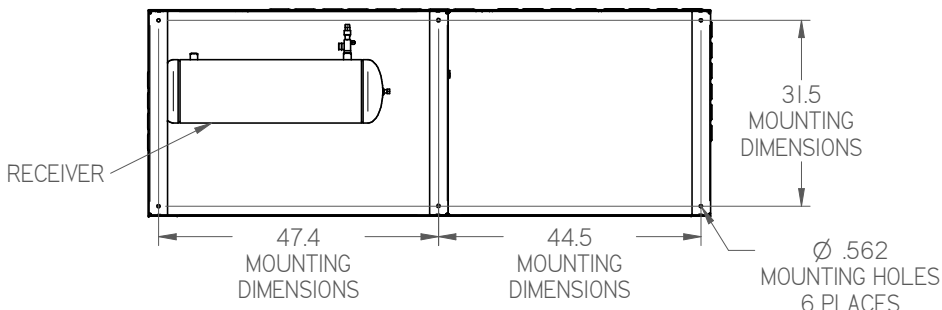
FRONT VIEW



ISO VIEW



RIGHT SIDE VIEW



BOTTOM VIEW

NOTES:

1. IT IS THE RESPONSIBILITY OF THE INSTALLING CONTRACTOR TO ENSURE THAT THE FINAL EQUIPMENT INSTALLATION MEETS ALL APPLICABLE CODE REQUIREMENTS.
2. ILLUSTRATION SHOWN IS FOR GENERAL REPRESENTATION ONLY. ACTUAL PRODUCT WILL VARY DEPENDENT UPON APPLICATION.
3. OVERALL DIMENSIONS: 101.3 L X 35.1 W X 62.4 H.

DIMENSIONS ARE IN INCHES.
DATE DRAWN: 2017/09/14



THIRD ANGLE PROJECTION

HUSSmann®

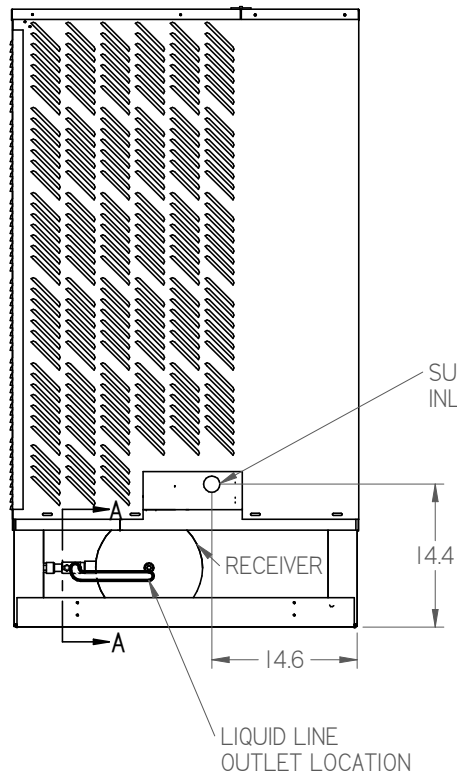
H SERIES EXTRA
LARGE OUTDOOR HD
BASE

INFORMATION SUBJECT TO CHANGE

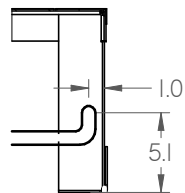
SHEET 1 OF 3

DOC PD-000000020 REV B

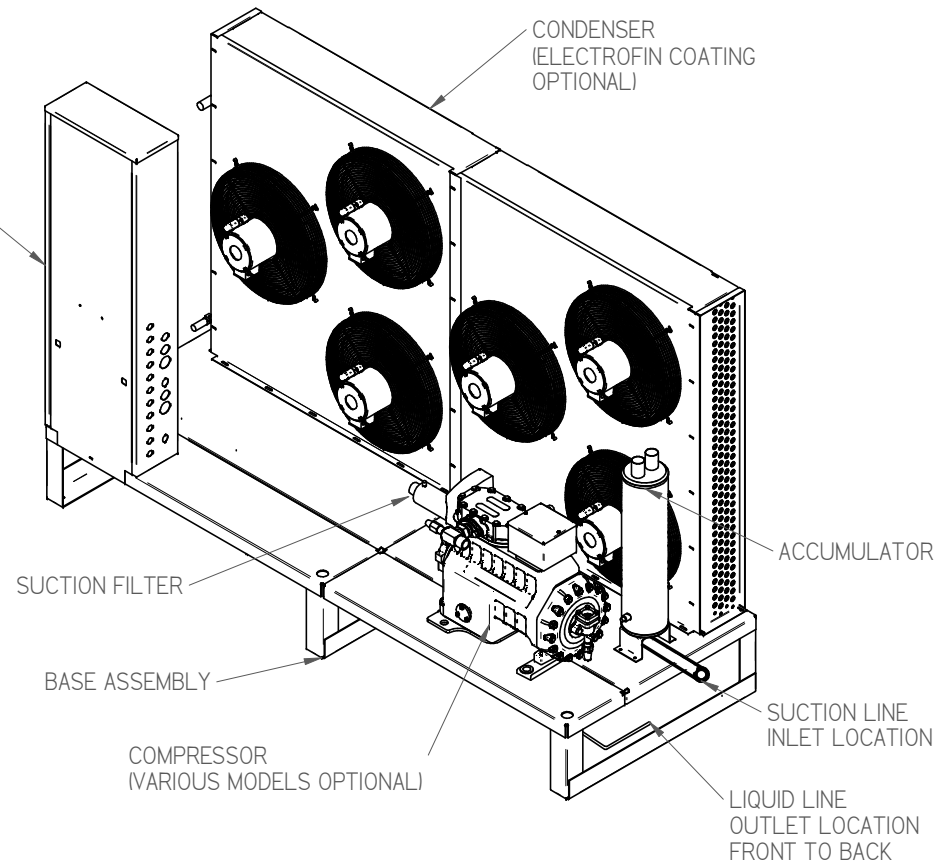
SHEET SUBMITTAL SHEET SIZE D



PIPING CONNECTION LOCATION
OUT RIGHT SIDE OF UNIT



SECTION A-A



ISO VIEW WITH OUTDOOR HOUSING
REMOVED FOR CLARITY

NOTES:

1. IT IS THE RESPONSIBILITY OF THE INSTALLING CONTRACTOR TO ENSURE THAT THE FINAL EQUIPMENT INSTALLATION MEETS ALL APPLICABLE CODE REQUIREMENTS.
2. ILLUSTRATION SHOWN IS FOR GENERAL REPRESENTATION ONLY. ACTUAL PRODUCT WILL VARY DEPENDENT UPON APPLICATION.
3. OVERALL DIMENSIONS: 101.3 L X 35.1 W X 62.4 H.

DIMENSIONS ARE IN INCHES.
DATE DRAWN: 2017/09/14



INFORMATION SUBJECT TO CHANGE

SHEET 2 OF 3

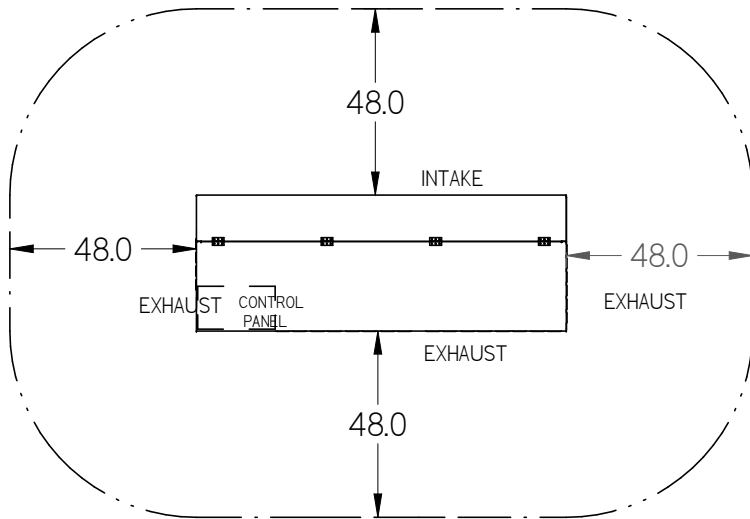
HUSSmann®

H SERIES EXTRA
LARGE OUTDOOR HD
BASE

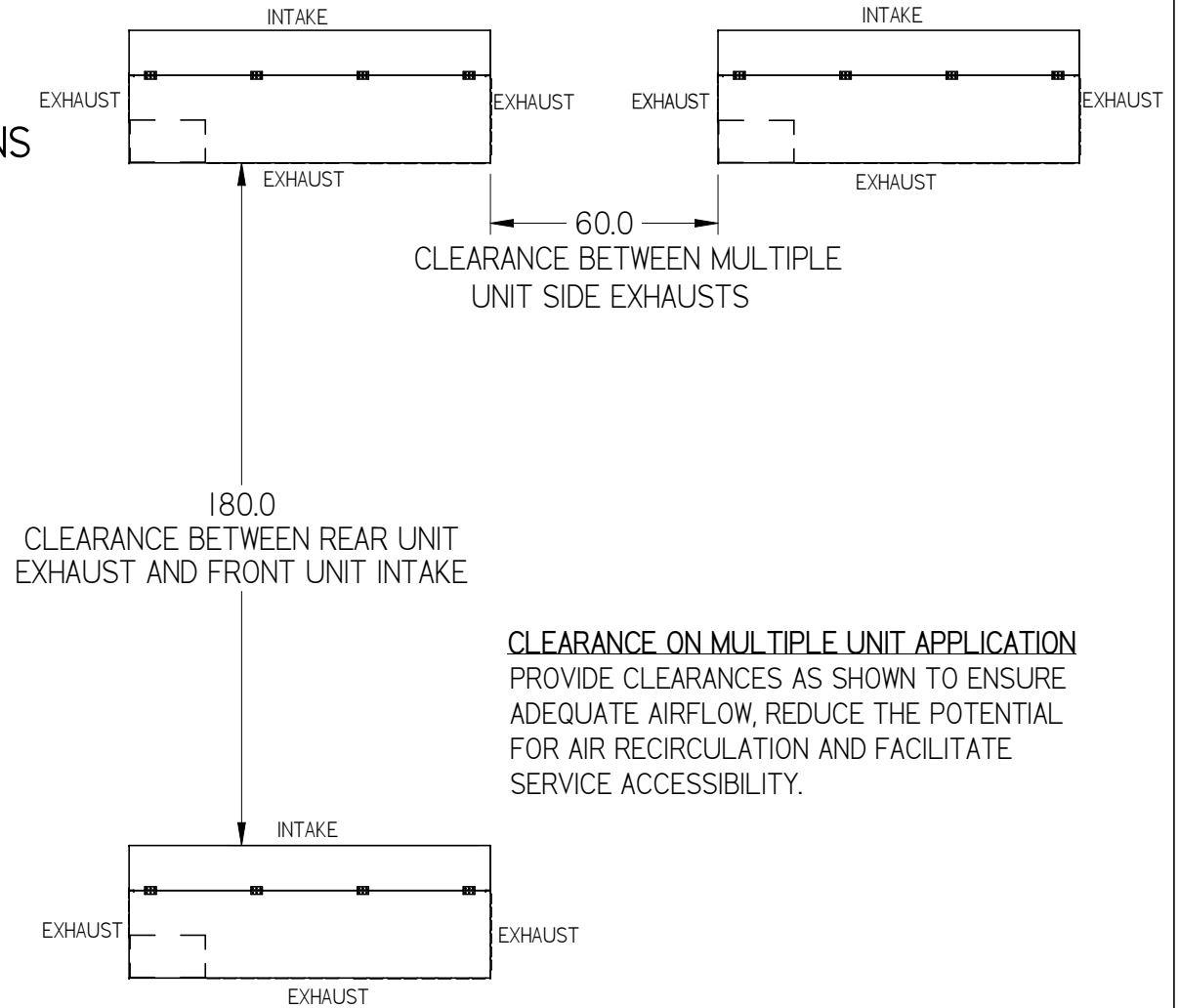
DOC PD-00000020 REV B

SHEET SUBMITTAL SHEET SIZE D

MINIMUM CLEARANCE REQUIREMENTS:
 ACTUAL CLEARANCE REQUIREMENTS ARE
 DEPENDENT UPON AUTHORITY HAVING
 JURISDICTION, AND MAY EXCEED DIMENSIONS
 SHOWN.



CLEARANCE ON A SINGLE UNIT APPLICATION



60.0
 CLEARANCE BETWEEN MULTIPLE
 UNIT SIDE EXHAUSTS

180.0
 CLEARANCE BETWEEN REAR UNIT
 EXHAUST AND FRONT UNIT INTAKE

CLEARANCE ON MULTIPLE UNIT APPLICATION
 PROVIDE CLEARANCES AS SHOWN TO ENSURE
 ADEQUATE AIRFLOW, REDUCE THE POTENTIAL
 FOR AIR RECIRCULATION AND FACILITATE
 SERVICE ACCESSIBILITY.

NOTES:

1. IT IS THE RESPONSIBILITY OF THE INSTALLING CONTRACTOR TO ENSURE THAT THE FINAL EQUIPMENT INSTALLATION MEETS ALL APPLICABLE CODE REQUIREMENTS.
2. ILLUSTRATION SHOWN IS FOR GENERAL REPRESENTATION ONLY. ACTUAL PRODUCT WILL VARY DEPENDENT UPON APPLICATION.
3. OVERALL DIMENSIONS: 101.3 L X 35.1 W X 62.4 H.

DIMENSIONS ARE IN INCHES.
 DATE DRAWN: 2017/09/14



THIRD
 ANGLE
 PROJECTION

INFORMATION SUBJECT TO CHANGE

SHEET 3 OF 3

HUSSmann®

H SERIES EXTRA
 LARGE OUTDOOR HD
 BASE

DOC PD-000000020 REV B

SMV10 SUBMITTAL SHEET SIZE D