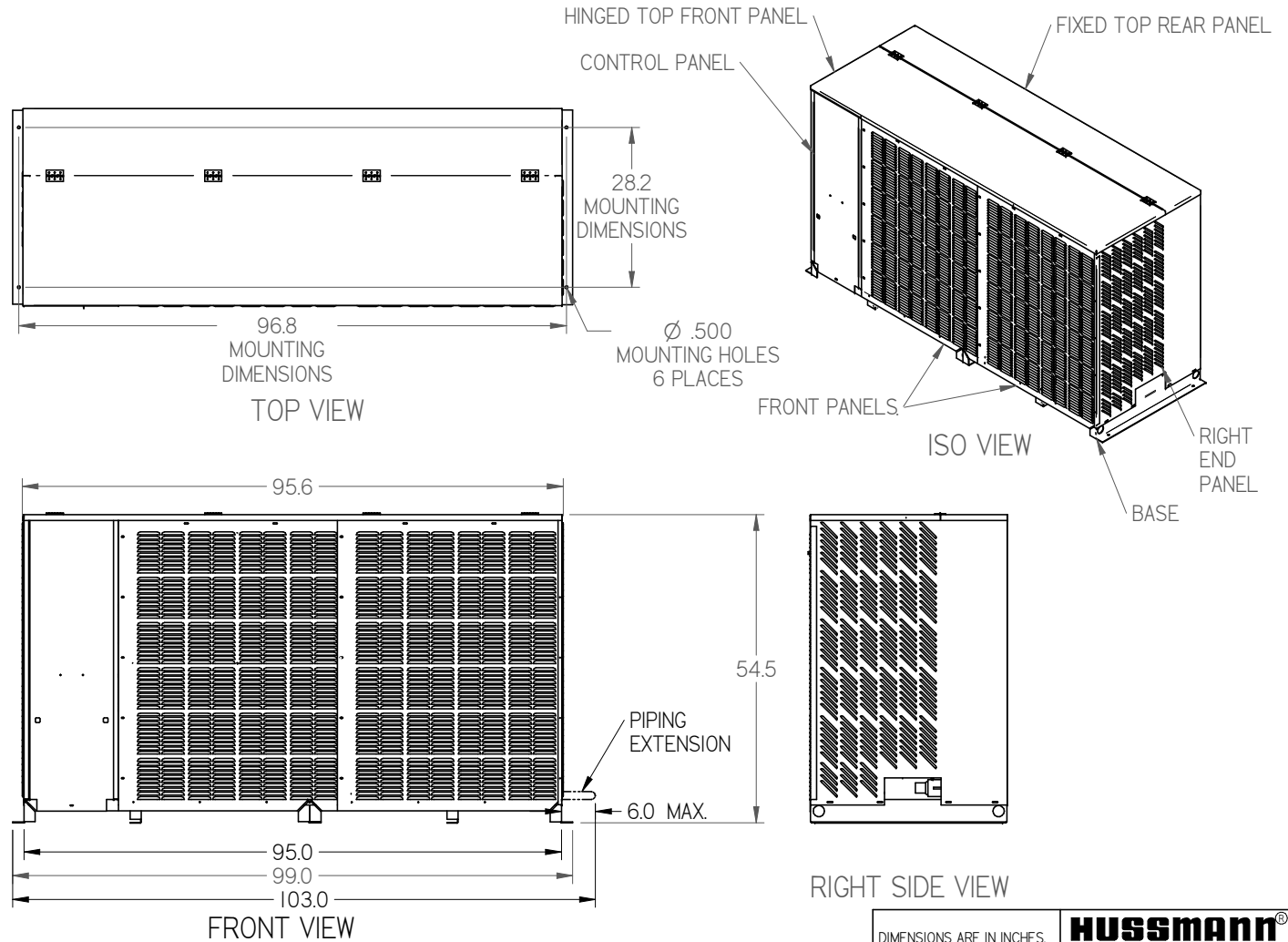


**EXTRA LARGE SIZE  
OUTDOOR UNIT  
STANDARD BASE  
"HTSx-xxxxxxx-xx-A"  
WEIGHT: 1,575 LBS.**



**NOTES:**

1. IT IS THE RESPONSIBILITY OF THE INSTALLING CONTRACTOR TO ENSURE THAT THE FINAL EQUIPMENT INSTALLATION MEETS ALL APPLICABLE CODE REQUIREMENTS.
2. ILLUSTRATION SHOWN IS FOR GENERAL REPRESENTATION ONLY. ACTUAL PRODUCT WILL VARY DEPENDENT UPON APPLICATION.
3. OVERALL DIMENSIONS: 103 L X 35 W X 54.5 H.

DIMENSIONS ARE IN INCHES.  
DATE DRAWN: 2017/09/14

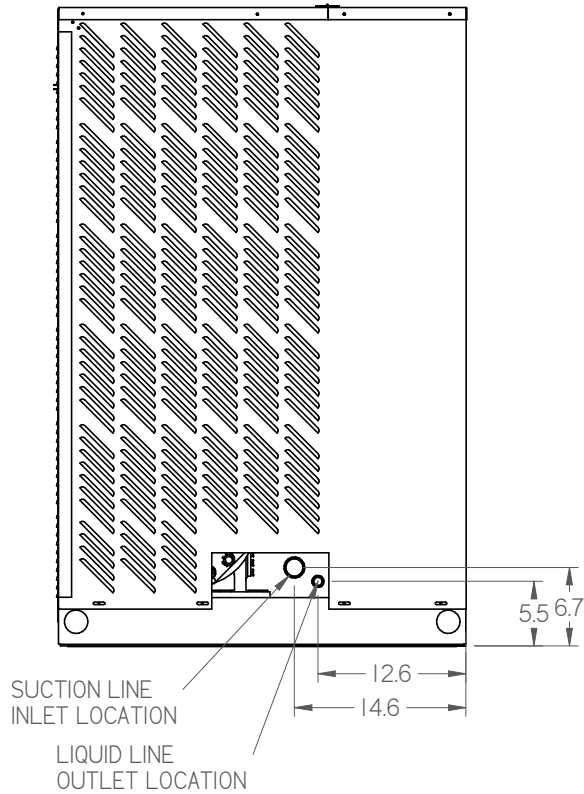


INFORMATION SUBJECT TO CHANGE

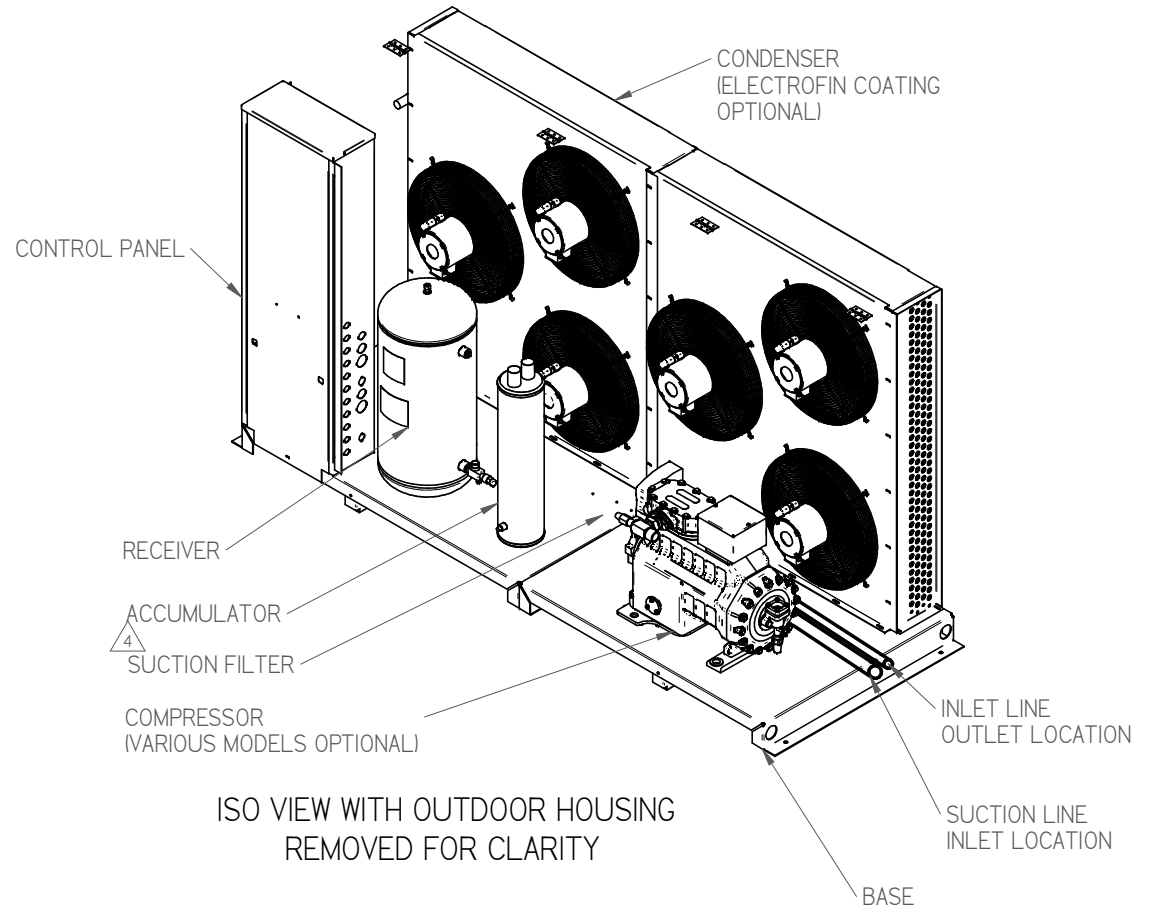
SHEET 1 OF 3

**HUSSmann®**  
H SERIES EXTRA  
LARGE OUTDOOR  
STD BASE  
DOC PD-00000016 REV B

SHEET SUBMITTAL SHEET SIZE D



PIPING CONNECTION LOCATION  
OUT RIGHT SIDE OF UNIT



ISO VIEW WITH OUTDOOR HOUSING  
REMOVED FOR CLARITY

NOTES:

1. IT IS THE RESPONSIBILITY OF THE INSTALLING CONTRACTOR TO ENSURE THAT THE FINAL EQUIPMENT INSTALLATION MEETS ALL APPLICABLE CODE REQUIREMENTS.
2. ILLUSTRATION SHOWN IS FOR GENERAL REPRESENTATION ONLY. ACTUAL PRODUCT WILL VARY DEPENDENT UPON APPLICATION.
3. OVERALL DIMENSIONS: 103 L X 35 W X 54.5 H.

DIMENSIONS ARE IN INCHES.  
DATE DRAWN: 2017/09/14



INFORMATION SUBJECT TO CHANGE

SHEET 2 OF 3

**HUSSmann®**

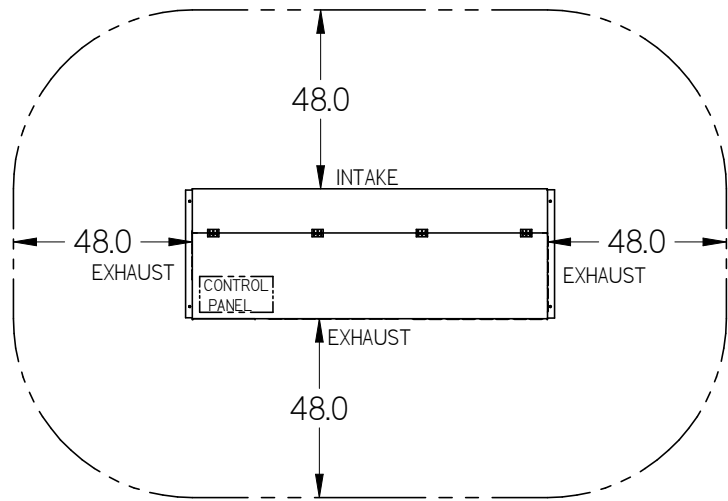
H SERIES EXTRA  
LARGE OUTDOOR  
STD BASE

DOC PD-00000016 REV B

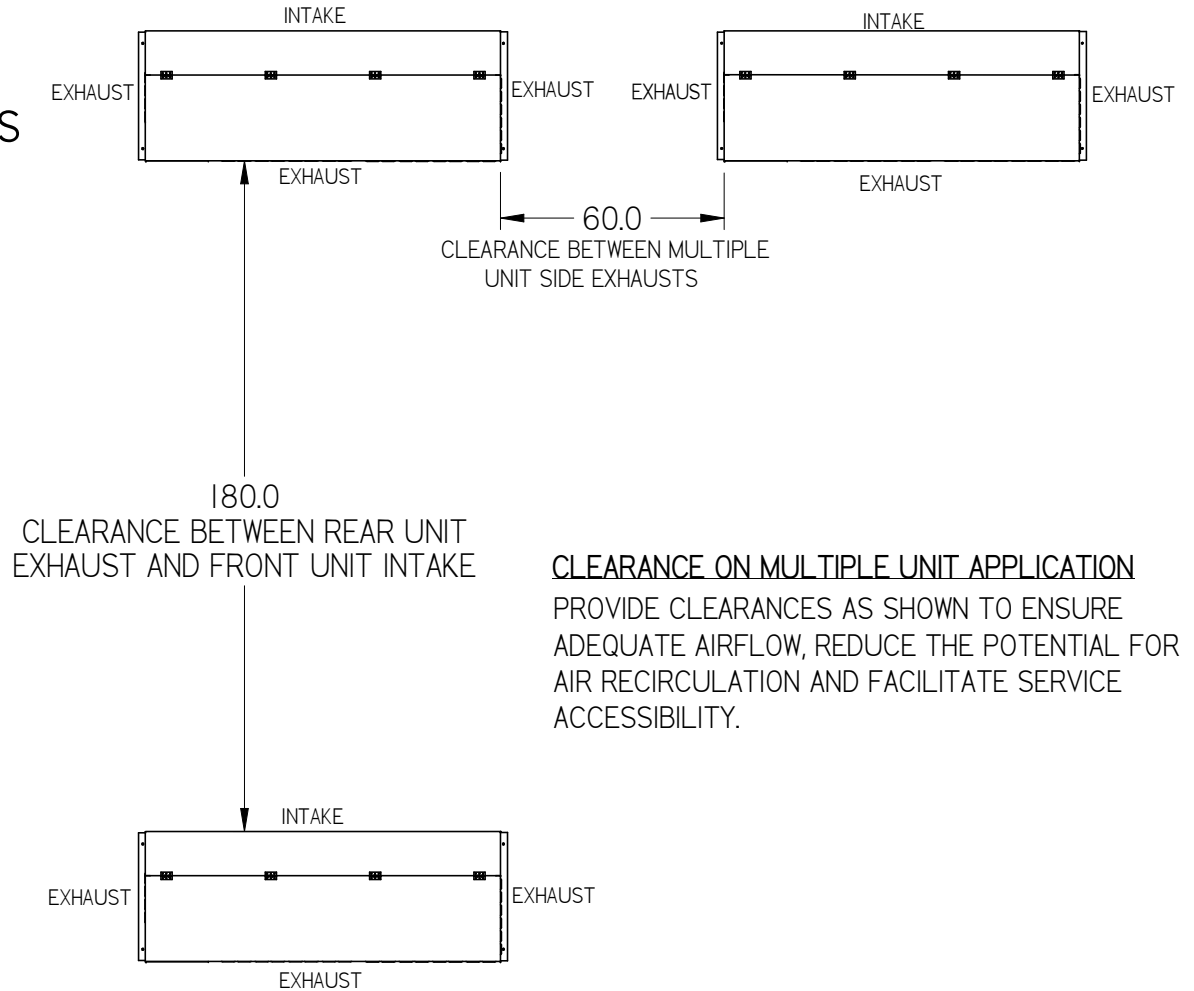
SHEET SUBMITTAL SHEET SIZE D

**MINIMUM CLEARANCE REQUIREMENTS:**

ACTUAL CLEARANCE REQUIREMENTS ARE DEPENDENT UPON AUTHORITY HAVING JURISDICTION, AND MAY EXCEED DIMENSIONS SHOWN.



**CLEARANCE ON A SINGLE UNIT APPLICATION**



**CLEARANCE ON MULTIPLE UNIT APPLICATION**  
 PROVIDE CLEARANCES AS SHOWN TO ENSURE ADEQUATE AIRFLOW, REDUCE THE POTENTIAL FOR AIR RECIRCULATION AND FACILITATE SERVICE ACCESSIBILITY.

**NOTES:**

1. IT IS THE RESPONSIBILITY OF THE INSTALLING CONTRACTOR TO ENSURE THAT THE FINAL EQUIPMENT INSTALLATION MEETS ALL APPLICABLE CODE REQUIREMENTS.
2. ILLUSTRATION SHOWN IS FOR GENERAL REPRESENTATION ONLY. ACTUAL PRODUCT WILL VARY DEPENDENT UPON APPLICATION.
3. OVERALL DIMENSIONS: 103 L X 35 W X 54.5 H.

DIMENSIONS ARE IN INCHES.  
 DATE DRAWN: 2017/09/14



**HUSSmann®**

H SERIES EXTRA  
 LARGE OUTDOOR  
 STD BASE

INFORMATION SUBJECT TO CHANGE

SHEET 3 OF 3

DOC PD-00000016 REV B

SHEET SIZE D