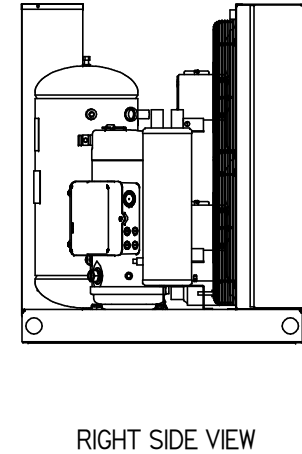
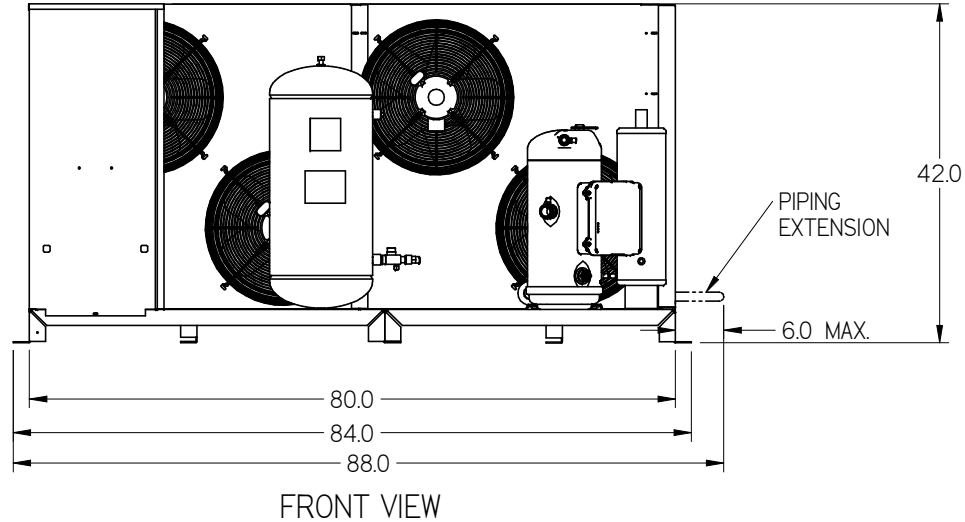
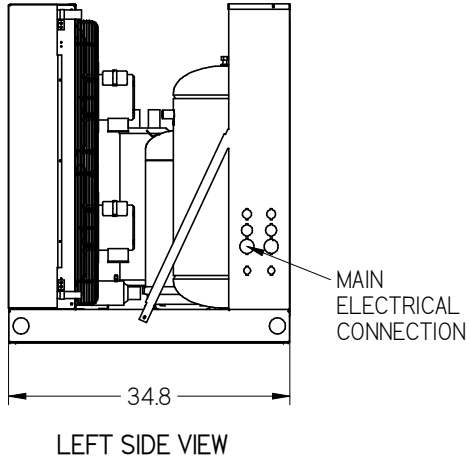
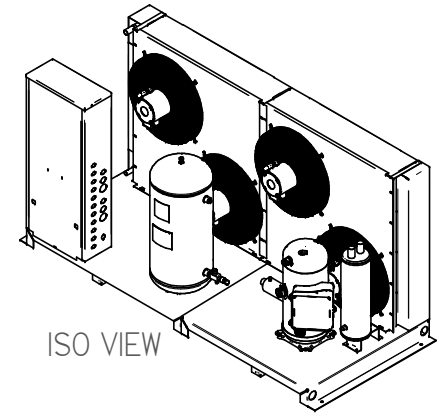
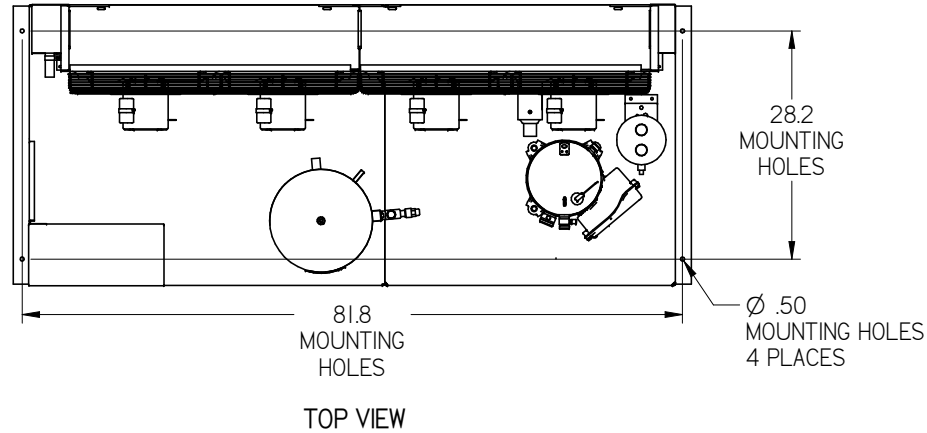



**LARGE SIZE
INDOOR UNIT
STANDARD BASE
"HNSx-xxxxxxx-xx-A"
WEIGHT: 1,250 LBS.**



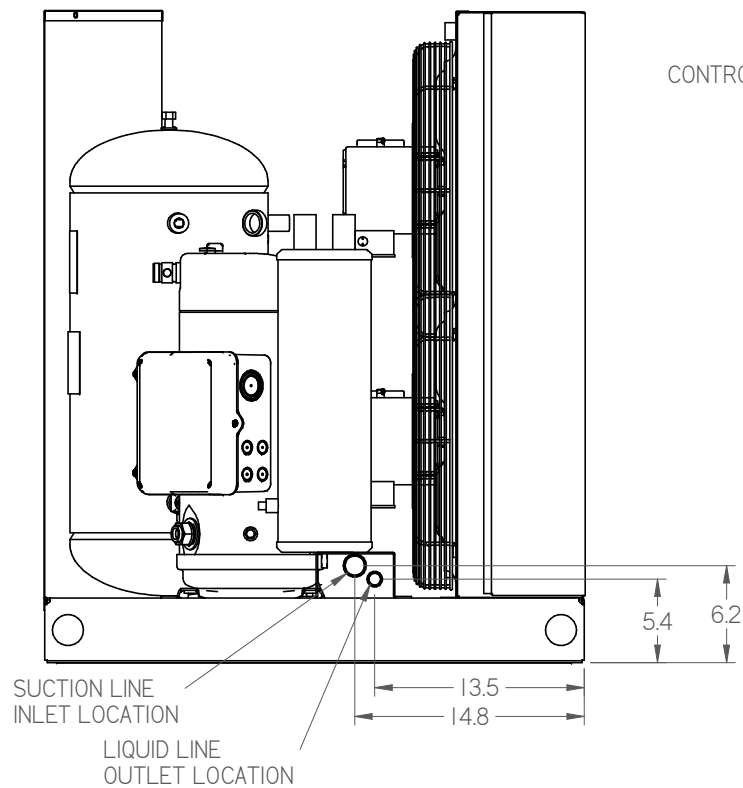
- NOTES:
1. IT IS THE RESPONSIBILITY OF THE INSTALLING CONTRACTOR TO ENSURE THAT THE FINAL EQUIPMENT INSTALLATION MEETS ALL APPLICABLE CODE REQUIREMENTS.
 2. ILLUSTRATION SHOWN IS FOR GENERAL REPRESENTATION ONLY. ACTUAL PRODUCT WILL VARY DEPENDENT UPON APPLICATION.
 3. OVERALL DIMENSIONS: 88 L X 34.8 W X 42 H.

INFORMATION SUBJECT TO CHANGE

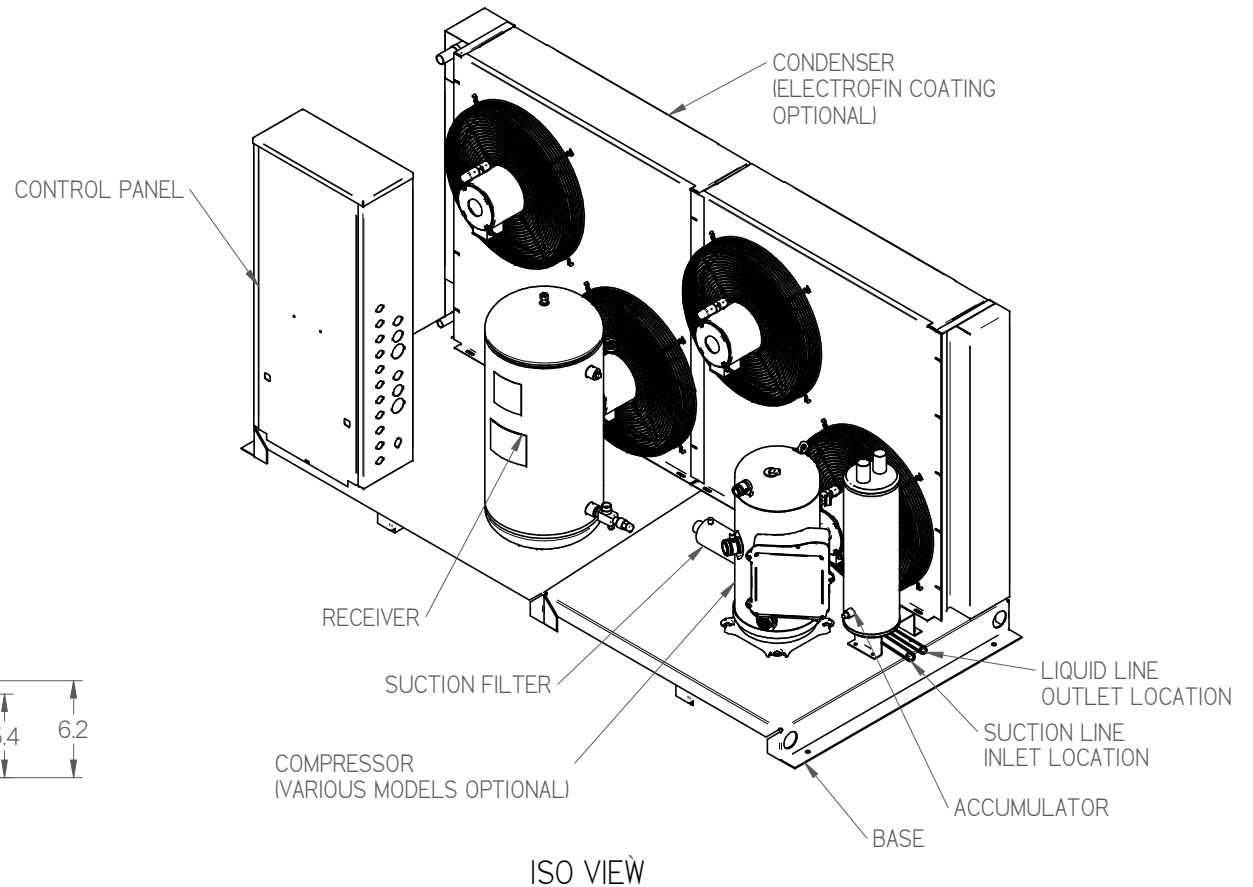
DIMENSIONS ARE IN INCHES. DATE DRAWN: 2017/09/14		HUSSmann®	
 THIRD ANGLE PROJECTION		H SERIES LARGE INDOOR STD BASE	
		DOC PD-000000006	REV B

SHEET 1 OF 3

SWN10 SUBMITTAL SHEET SIZE D



PIPING CONNECTION LOCATION
OUT RIGHT SIDE OF UNIT



NOTES:

1. IT IS THE RESPONSIBILITY OF THE INSTALLING CONTRACTOR TO ENSURE THAT THE FINAL EQUIPMENT INSTALLATION MEETS ALL APPLICABLE CODE REQUIREMENTS.
2. ILLUSTRATION SHOWN IS FOR GENERAL REPRESENTATION ONLY. ACTUAL PRODUCT WILL VARY DEPENDENT UPON APPLICATION.
3. OVERALL DIMENSIONS: 88 L X 34.8 W X 42 H.

DIMENSIONS ARE IN INCHES.
DATE DRAWN: 2017/09/14



HUSSmann®

H SERIES LARGE
INDOOR STD BASE

INFORMATION SUBJECT TO CHANGE

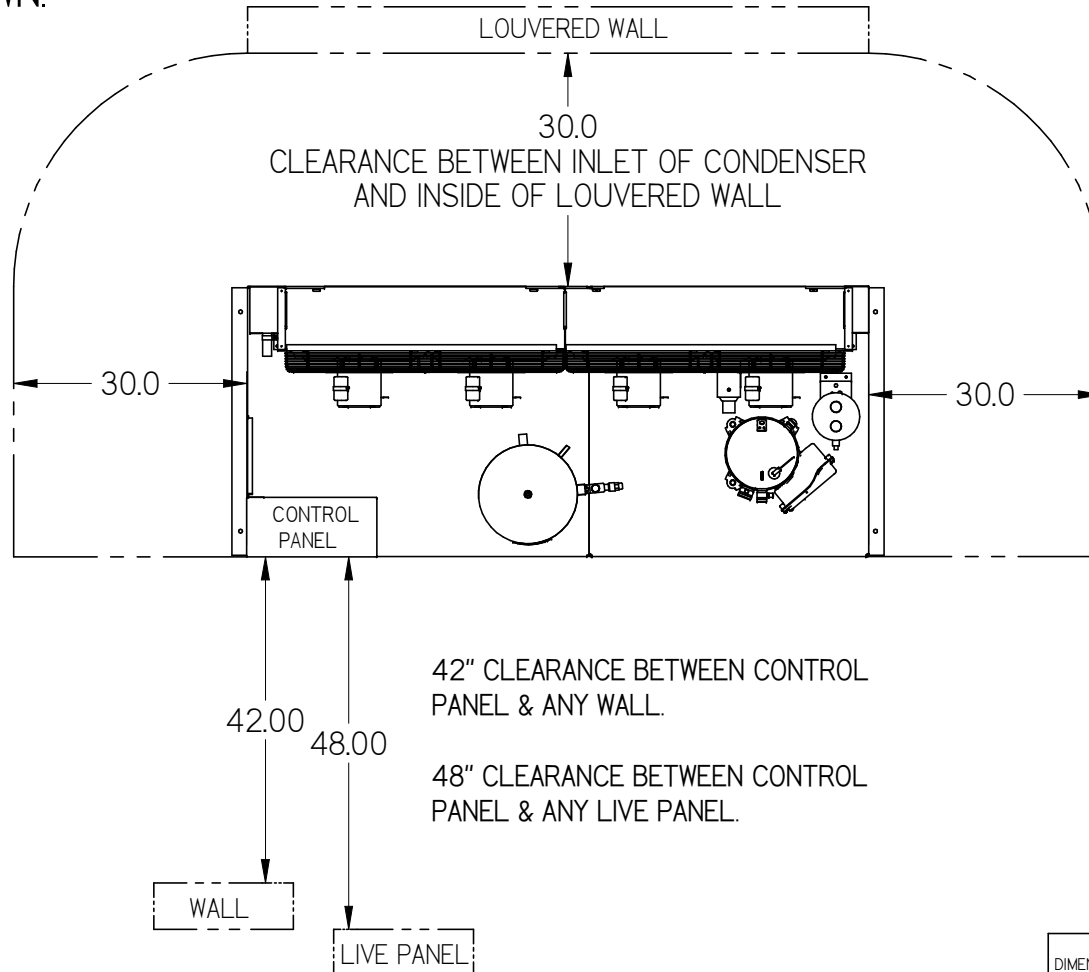
SHEET 2 OF 3

DOC PD-000000006 REV B

SWIN10 SUBMITTAL SHEET SIZE D

MINIMUM CLEARANCE REQUIREMENTS:

ACTUAL CLEARANCE REQUIREMENTS ARE DEPENDENT UPON AUTHORITY HAVING JURISDICTION, AND MAY EXCEED DIMENSIONS SHOWN.



NOTES:

1. IT IS THE RESPONSIBILITY OF THE INSTALLING CONTRACTOR TO ENSURE THAT THE FINAL EQUIPMENT INSTALLATION MEETS ALL APPLICABLE CODE REQUIREMENTS.
2. ILLUSTRATION SHOWN IS FOR GENERAL REPRESENTATION ONLY. ACTUAL PRODUCT WILL VARY DEPENDENT UPON APPLICATION.
3. OVERALL DIMENSIONS: 88 L X 34.8 W X 42 H.

DIMENSIONS ARE IN INCHES.
DATE DRAWN: 2017/09/14



HUSSmann®

H SERIES LARGE
INDOOR STD BASE

INFORMATION SUBJECT TO CHANGE

SHEET 3 OF 3

DOC PD-000000006 REV B

SWN10 SUBMITTAL SHEET SIZE D