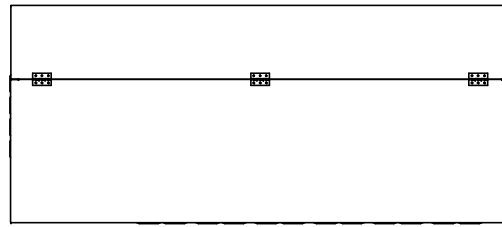
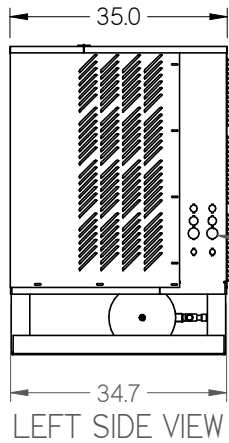


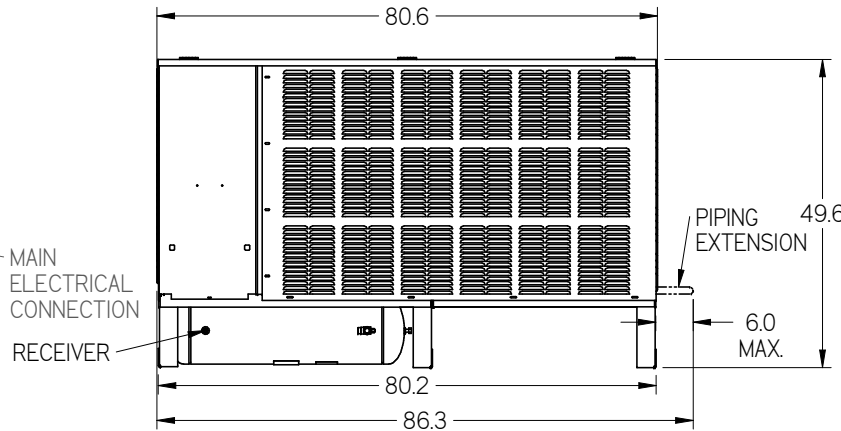
**LARGE SIZE
OUTDOOR UNIT
HEAVY DUTY BASE
"HTHx-xxxxxxx-xx-A"
WEIGHT: 1,250 LBS.**



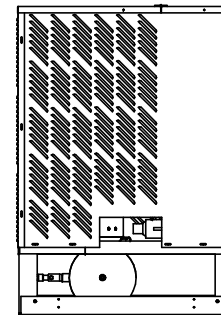
TOP VIEW



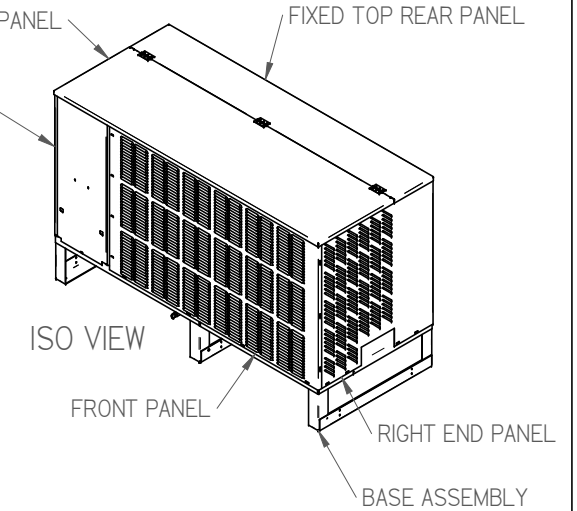
LEFT SIDE VIEW



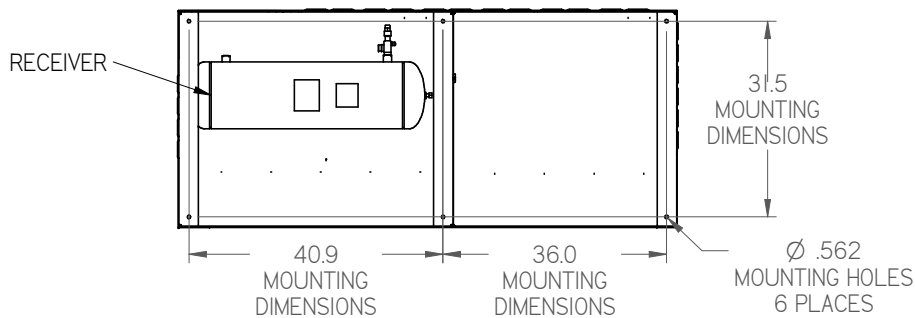
FRONT VIEW



RIGHT SIDE VIEW



ISO VIEW



BOTTOM VIEW

NOTES:

1. IT IS THE RESPONSIBILITY OF THE INSTALLING CONTRACTOR TO ENSURE THAT THE FINAL EQUIPMENT INSTALLATION MEETS ALL APPLICABLE CODE REQUIREMENTS.
2. ILLUSTRATION SHOWN IS FOR GENERAL REPRESENTATION ONLY. ACTUAL PRODUCT WILL VARY DEPENDENT UPON APPLICATION.
3. OVERALL DIMENSIONS: 86.3 L X 35 W X 49.6 H.

DIMENSIONS ARE IN INCHES.
DATE DRAWN: 2017/09/14



THIRD ANGLE PROJECTION

HUSSmann®

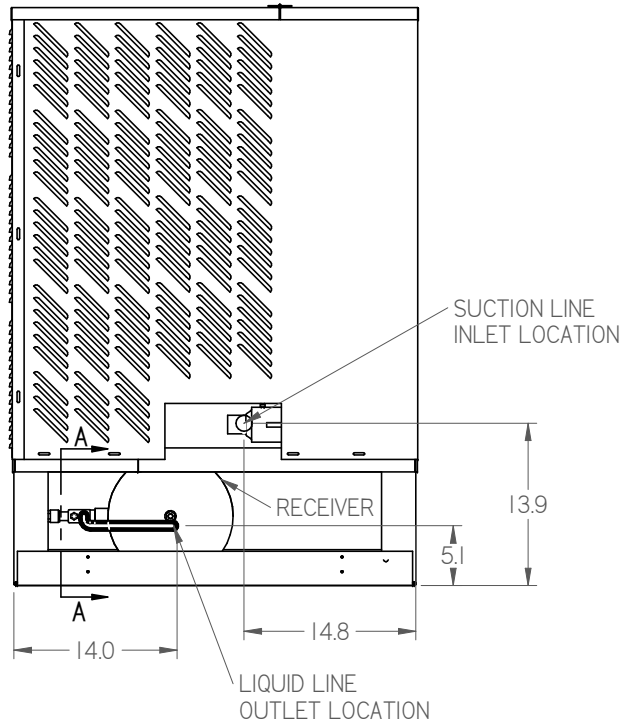
H SERIES LARGE
OUTDOOR HD BASE

DOC PD-00000019 REV B

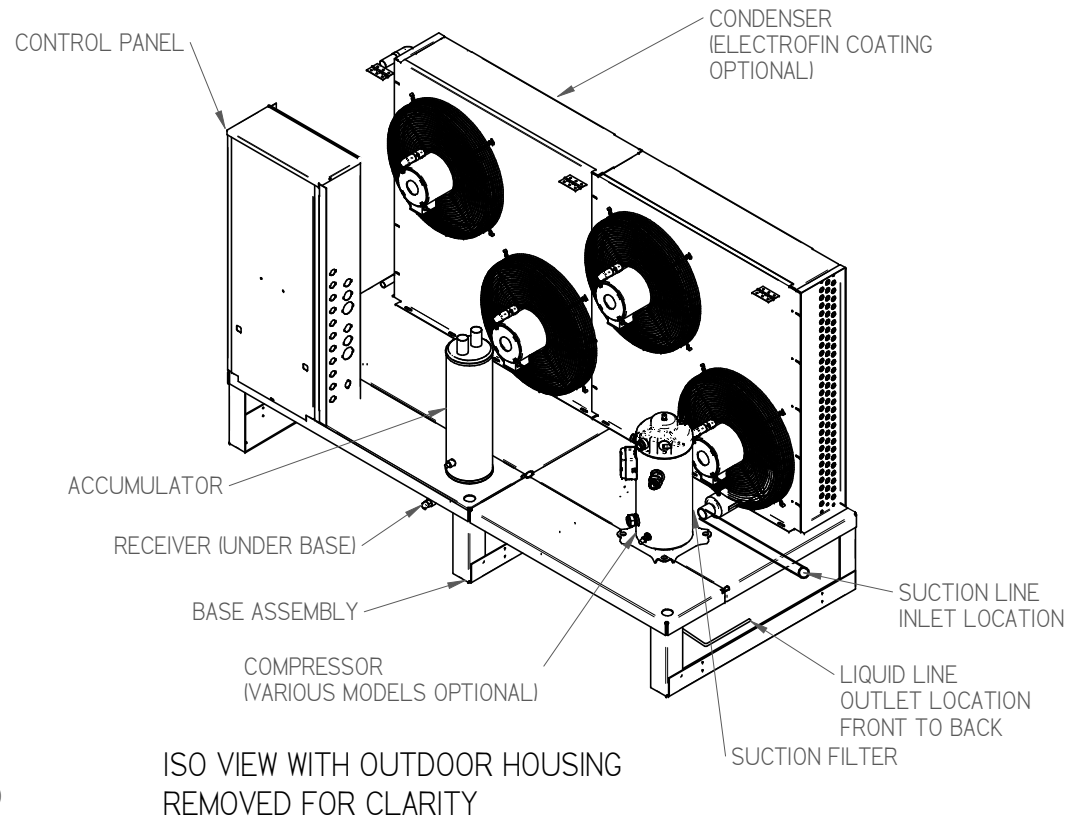
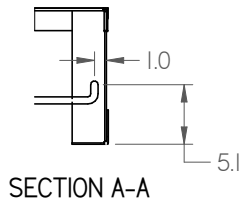
INFORMATION SUBJECT TO CHANGE

SHEET 1 OF 3

SWIN10 SUBMITTAL SHEET SIZE D



PIPING CONNECTION LOCATION
OUT RIGHT SIDE OF UNIT



ISO VIEW WITH OUTDOOR HOUSING
REMOVED FOR CLARITY

NOTES:

1. IT IS THE RESPONSIBILITY OF THE INSTALLING CONTRACTOR TO ENSURE THAT THE FINAL EQUIPMENT INSTALLATION MEETS ALL APPLICABLE CODE REQUIREMENTS.
2. ILLUSTRATION SHOWN IS FOR GENERAL REPRESENTATION ONLY. ACTUAL PRODUCT WILL VARY DEPENDENT UPON APPLICATION.
3. OVERALL DIMENSIONS: 86.3 L X 35 W X 49.6 H.

DIMENSIONS ARE IN INCHES.
DATE DRAWN: 2017/09/14



HUSSMANN®

H SERIES LARGE
OUTDOOR HD BASE

INFORMATION SUBJECT TO CHANGE

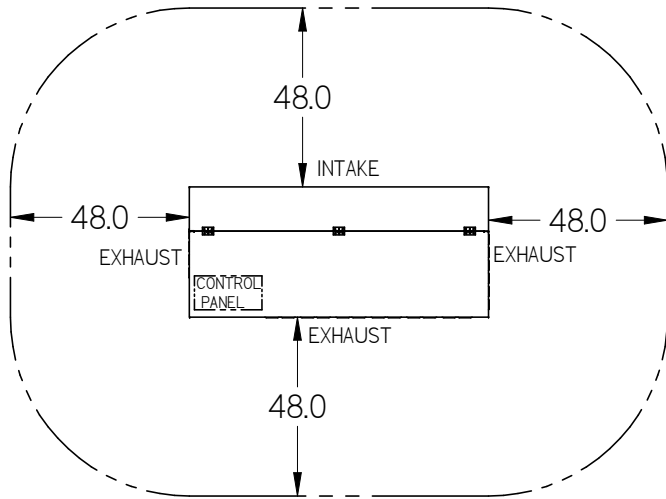
SHEET 2 OF 3

DOC PD-00000019 REV B

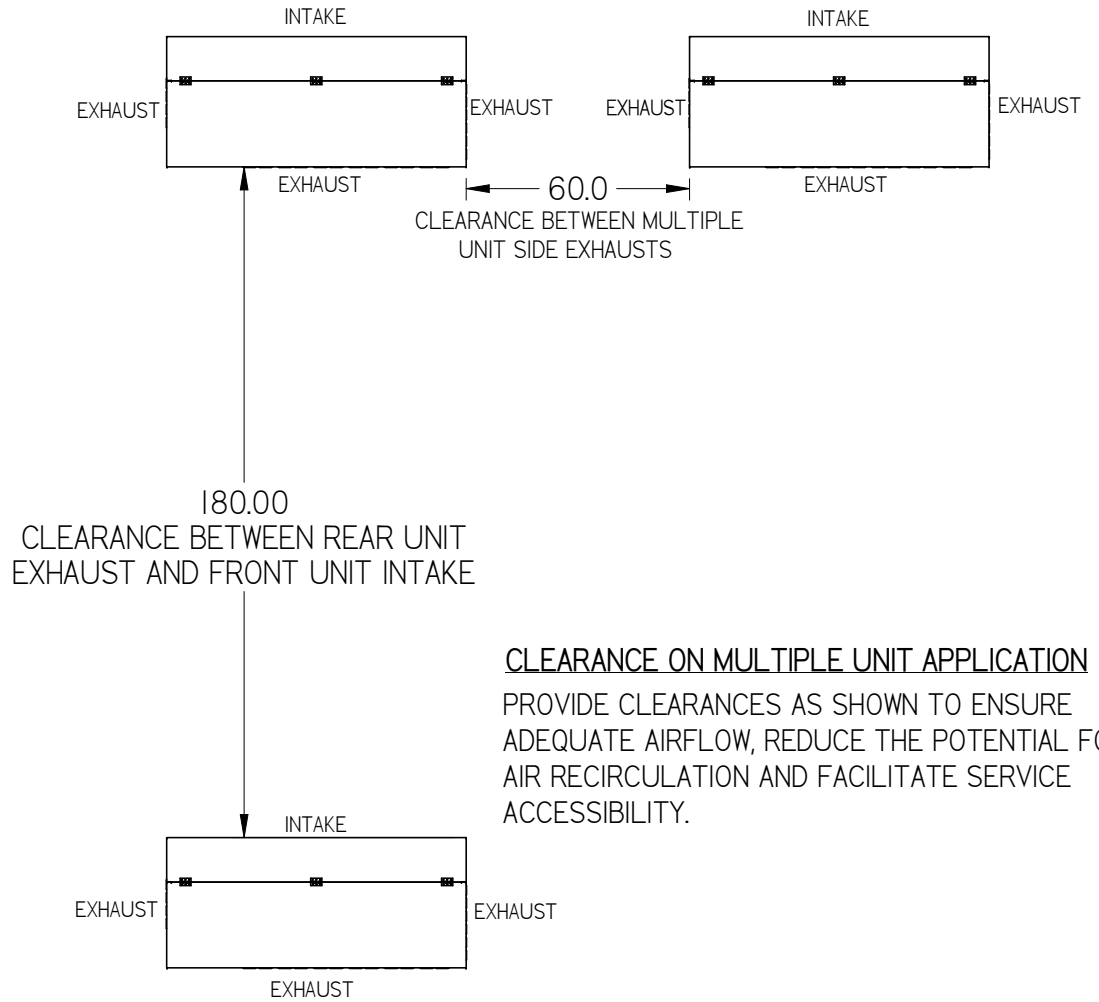
SHEET SUBMITTAL SHEET SIZE D

MINIMUM CLEARANCE REQUIREMENTS:

ACTUAL CLEARANCE REQUIREMENTS ARE DEPENDENT UPON AUTHORITY HAVING JURISDICTION, AND MAY EXCEED DIMENSIONS SHOWN.



CLEARANCE ON A SINGLE UNIT APPLICATION



CLEARANCE ON MULTIPLE UNIT APPLICATION
 PROVIDE CLEARANCES AS SHOWN TO ENSURE ADEQUATE AIRFLOW, REDUCE THE POTENTIAL FOR AIR RECIRCULATION AND FACILITATE SERVICE ACCESSIBILITY.

NOTES:

1. IT IS THE RESPONSIBILITY OF THE INSTALLING CONTRACTOR TO ENSURE THAT THE FINAL EQUIPMENT INSTALLATION MEETS ALL APPLICABLE CODE REQUIREMENTS.
2. ILLUSTRATION SHOWN IS FOR GENERAL REPRESENTATION ONLY. ACTUAL PRODUCT WILL VARY DEPENDENT UPON APPLICATION.
3. OVERALL DIMENSIONS: 86.3 L X 35 W X 49.6 H.

DIMENSIONS ARE IN INCHES.
 DATE DRAWN: 2017/09/14



HUSSmann®

H SERIES LARGE
 OUTDOOR HD BASE

INFORMATION SUBJECT TO CHANGE

SHEET 3 OF 3

DOC PD-00000019 REV B

SHEET 3 OF 3 SUBMITTAL SHEET SIZE D