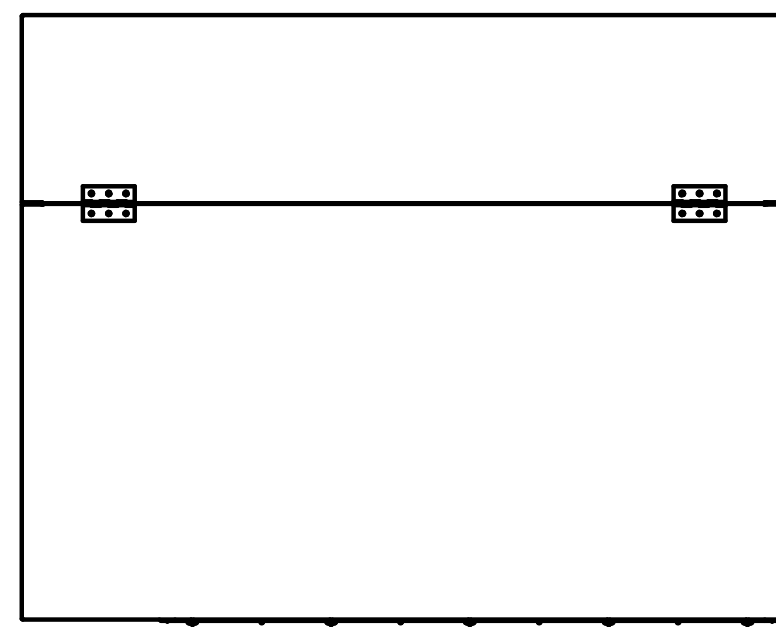
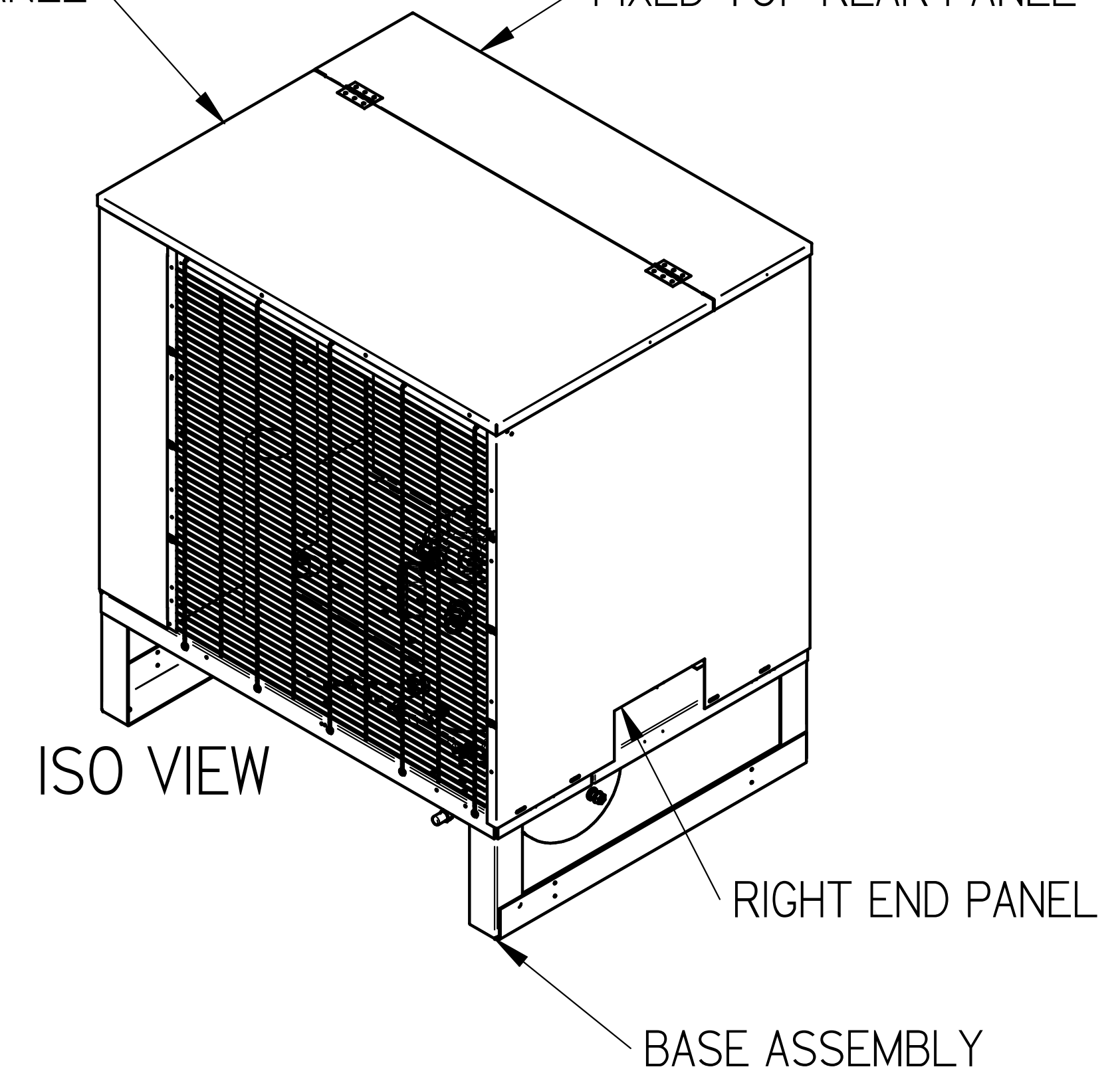


HIGH EFFICIENCY
 H-SERIES
 MEDIUM SIZE
 OUTDOOR UNIT
 HEAVY DUTY BASE
 "HxHx-xxxxxxx-xx-x"
 WEIGHT: 650 LBS.



TOP VIEW

HINGED TOP FRONT PANEL FIXED TOP REAR PANEL



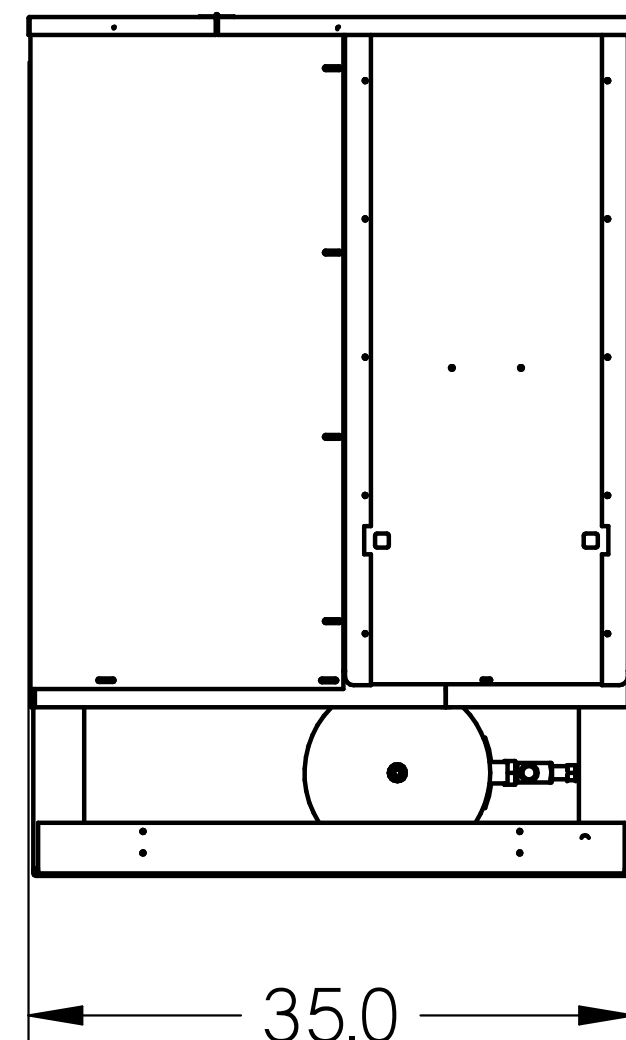
ISO VIEW

RIGHT END PANEL

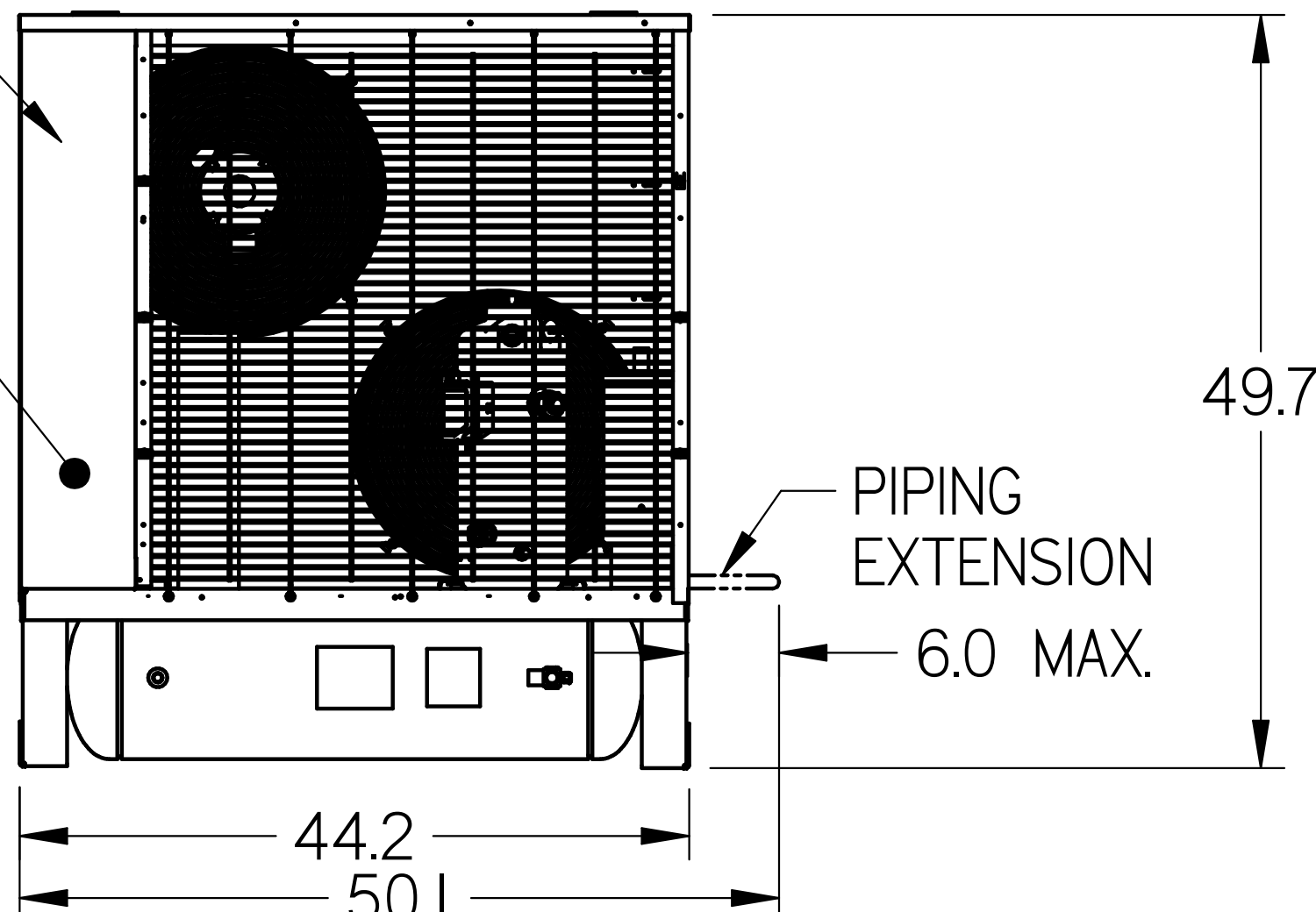
BASE ASSEMBLY

CONTROL PANEL
FACING LEFT
END OF UNIT

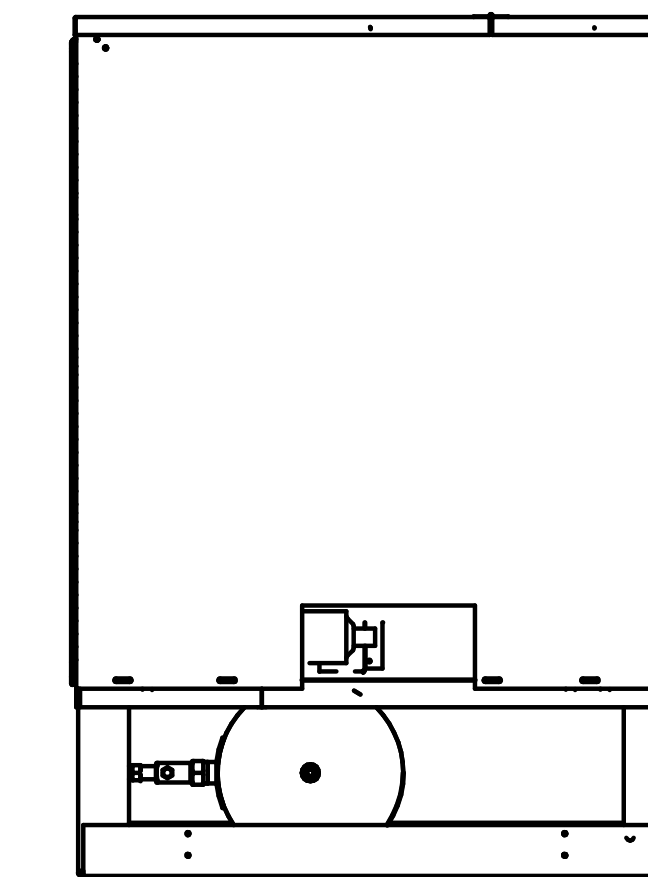
FIELD LOCATE MAIN
POWER CONNECTION
IN THIS AREA.



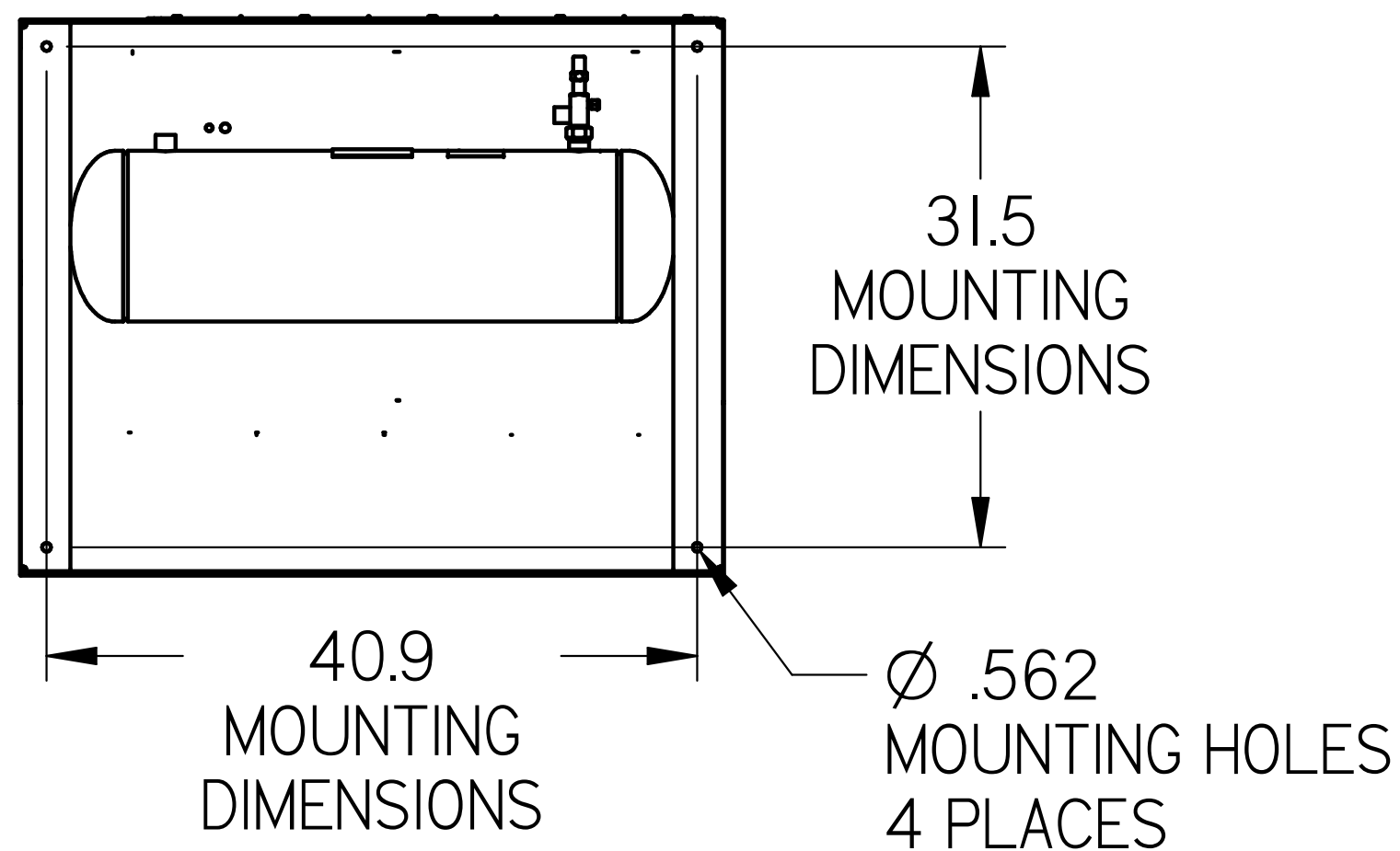
LEFT SIDE VIEW



FRONT VIEW



RIGHT SIDE VIEW

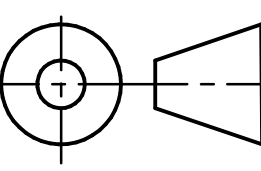


BOTTOM VIEW

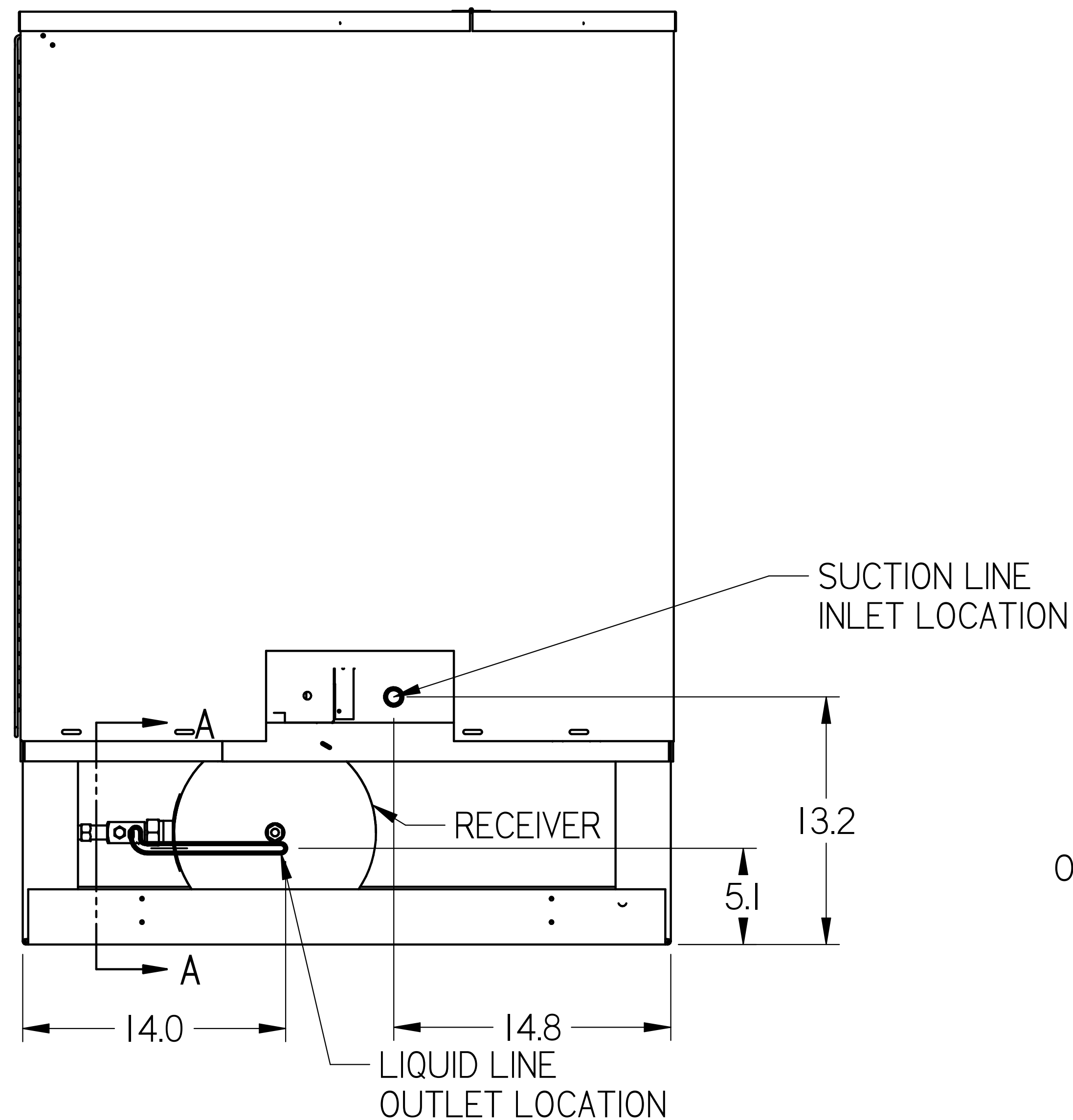
NOTES:

1. IT IS THE RESPONSIBILITY OF THE INSTALLING CONTRACTOR TO ENSURE THAT THE FINAL EQUIPMENT INSTALLATION MEETS ALL APPLICABLE CODE REQUIREMENTS.
2. ILLUSTRATION SHOWN IS FOR GENERAL REPRESENTATION ONLY. ACTUAL PRODUCT WILL VARY DEPENDENT UPON APPLICATION.
3. OVERALL DIMENSIONS: 50.1 L X 35.0 W X 49.7 H.

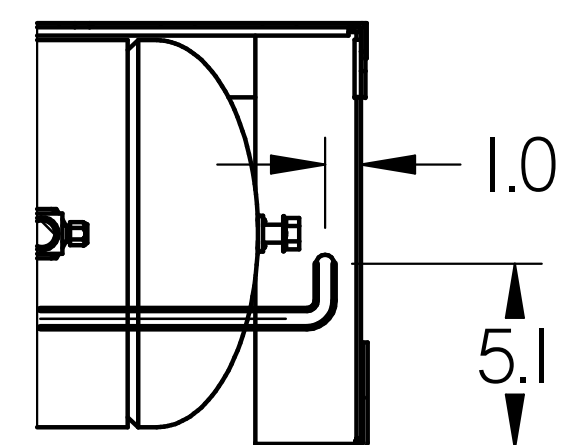
INFORMATION SUBJECT TO CHANGE

DIMENSIONS ARE IN INCHES. DATE DRAWN: 2017/09/14  THIRD ANGLE PROJECTION	HUSSMANN [®]	
	HIGH EFFICIENCY H SERIES MD OD HD BASE	
SHEET 1 OF 3	DOC PD-000000018	REV F

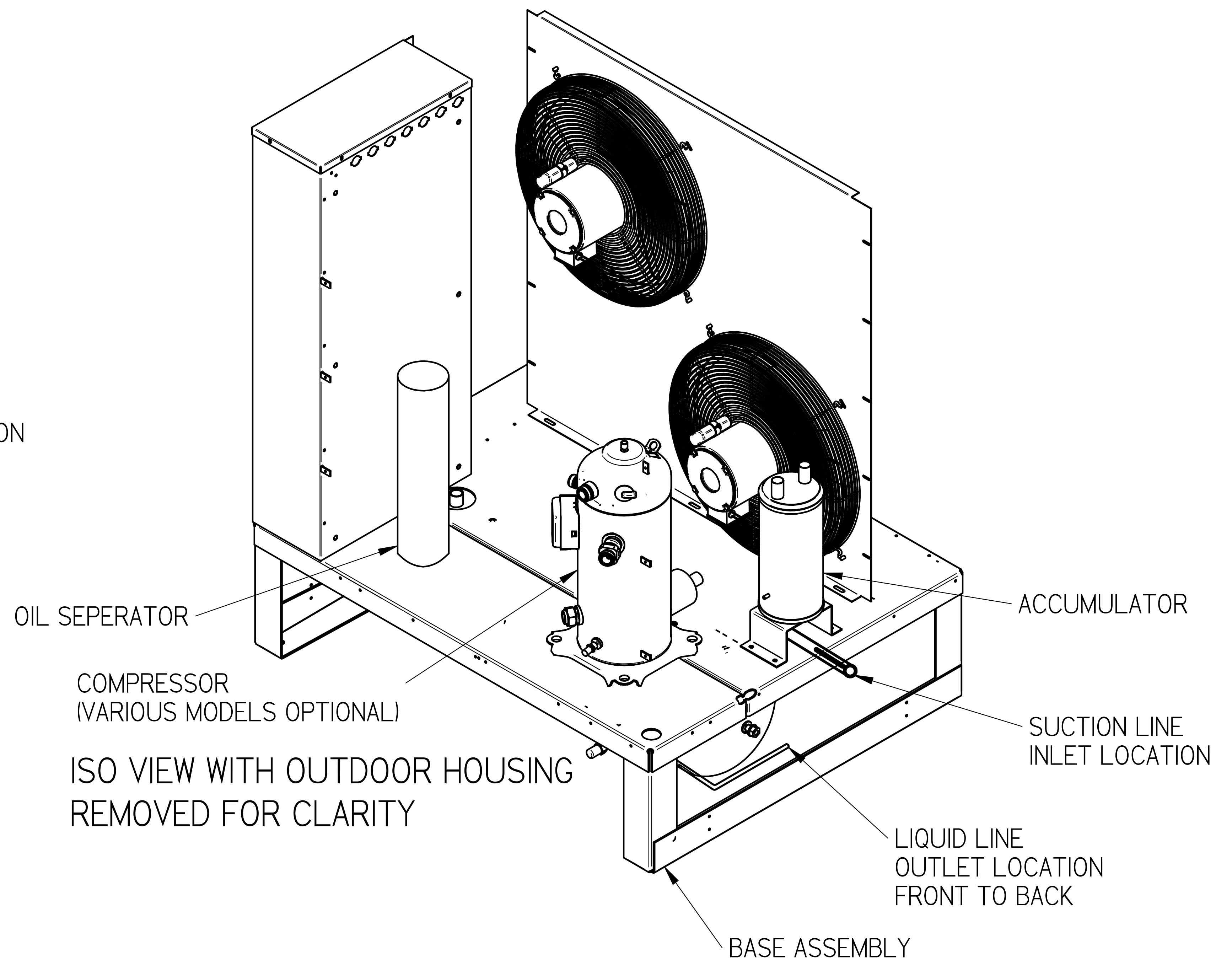
SHEET 1 OF 3



PIPING CONNECTION LOCATION
OUT RIGHT SIDE OF UNIT



SECTION A-A

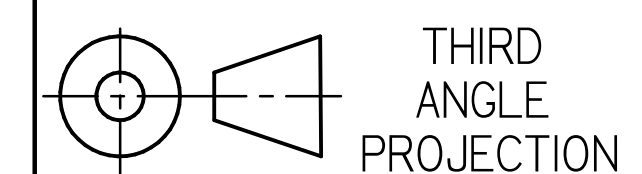


ISO VIEW WITH OUTDOOR HOUSING
REMOVED FOR CLARITY

NOTES:

1. IT IS THE RESPONSIBILITY OF THE INSTALLING CONTRACTOR TO ENSURE THAT THE FINAL EQUIPMENT INSTALLATION MEETS ALL APPLICABLE CODE REQUIREMENTS.
2. ILLUSTRATION SHOWN IS FOR GENERAL REPRESENTATION ONLY. ACTUAL PRODUCT WILL VARY DEPENDENT UPON APPLICATION.
3. OVERALL DIMENSIONS: 50.1 L X 35.0 W X 49.7 H.

DIMENSIONS ARE IN INCHES.
DATE DRAWN: 2017/09/14



SHEET 2 OF 3

HUSSMANN[®]

HIGH EFFICIENCY H
SERIES MD OD HD
BASE

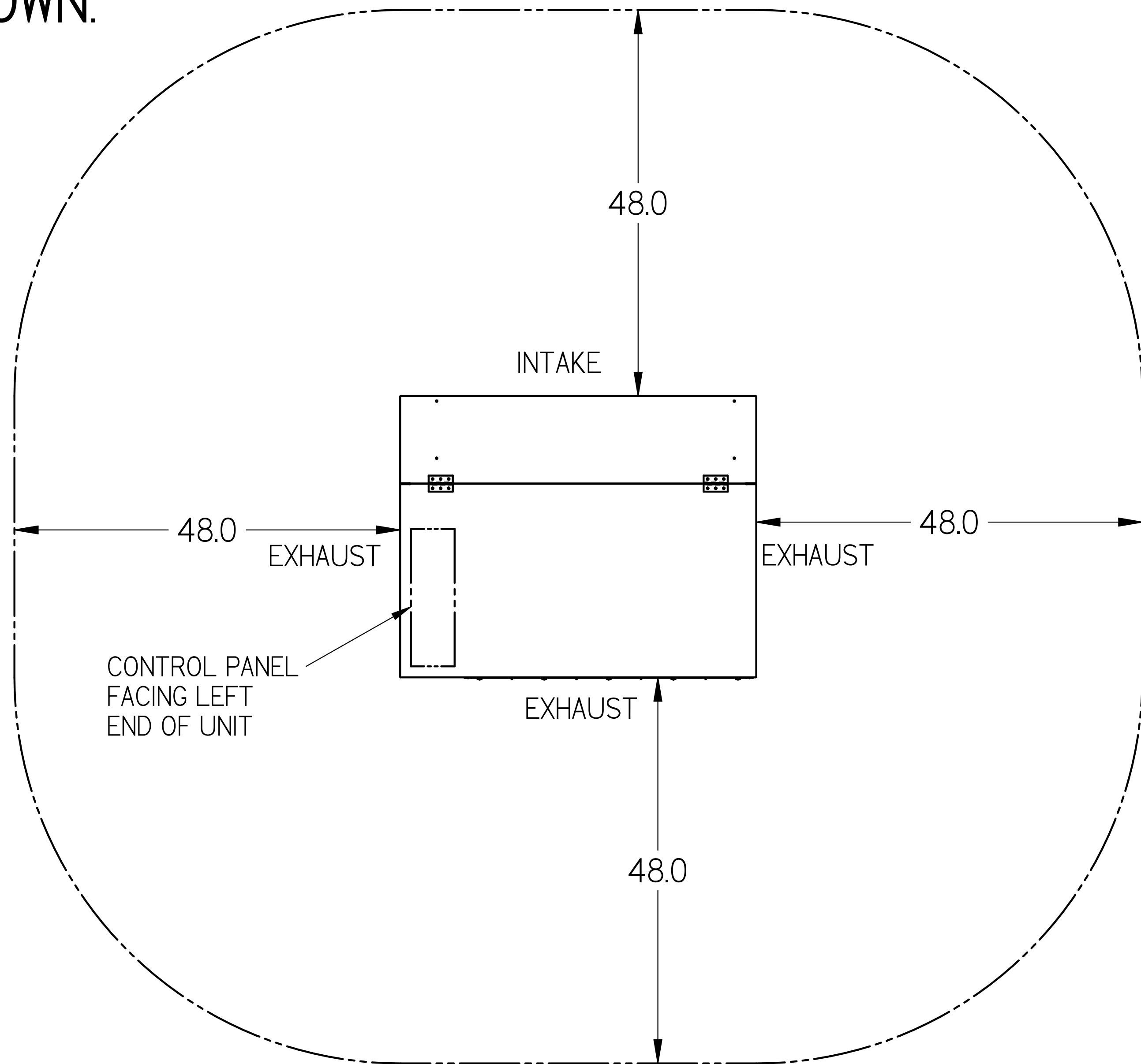
DOC PD-000000018 REV F

INFORMATION SUBJECT TO CHANGE

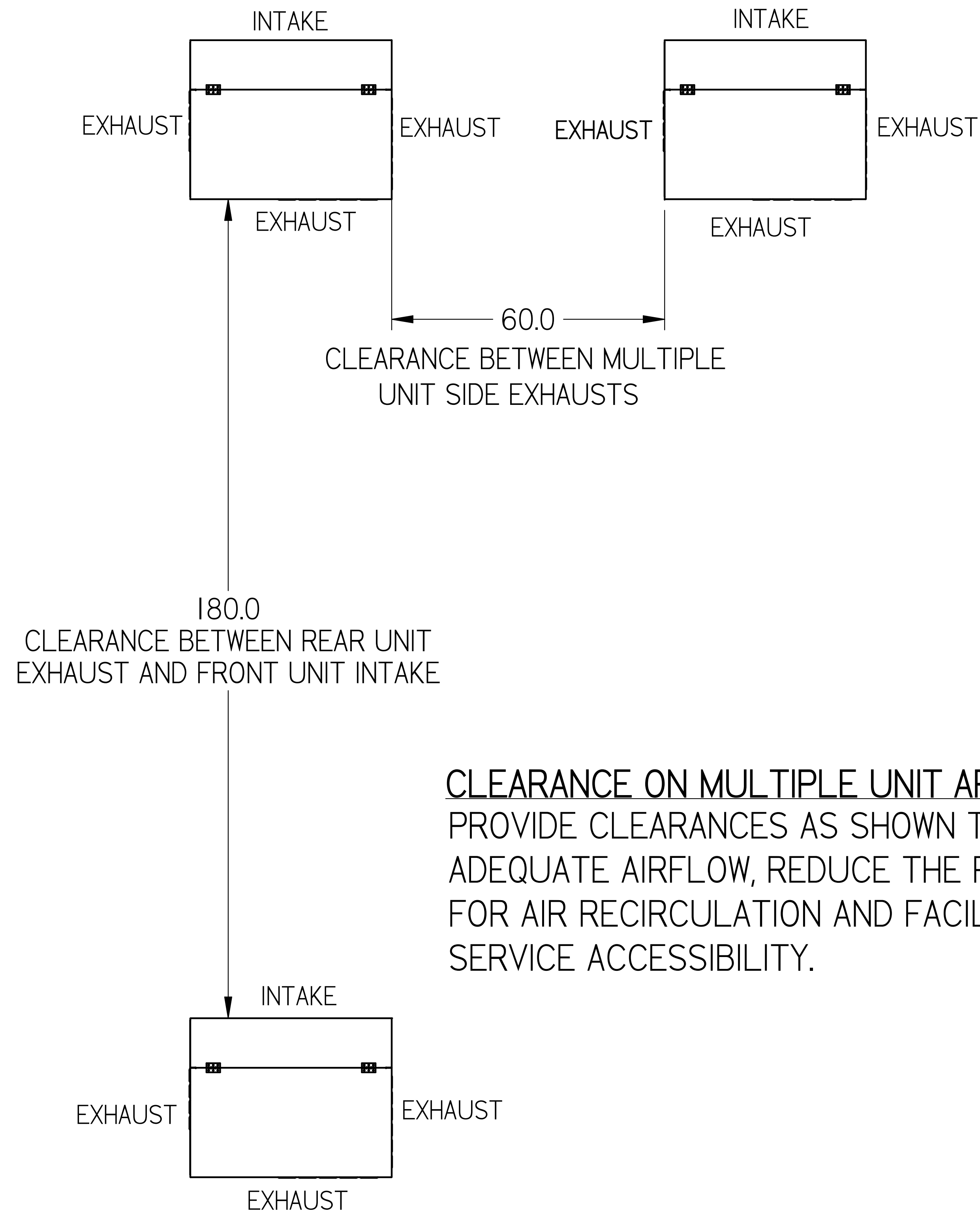
SWN 1.0 SUBMITTAL SHEET SIZE D

MINIMUM CLEARANCE REQUIREMENTS:

ACTUAL CLEARANCE REQUIREMENTS ARE DEPENDENT UPON AUTHORITY HAVING JURISDICTION, AND MAY EXCEED DIMENSIONS SHOWN.



CLEARANCE ON A SINGLE UNIT APPLICATION



CLEARANCE ON MULTIPLE UNIT APPLICATION
 PROVIDE CLEARANCES AS SHOWN TO ENSURE ADEQUATE AIRFLOW, REDUCE THE POTENTIAL FOR AIR RECIRCULATION AND FACILITATE SERVICE ACCESSIBILITY.

NOTES:

1. IT IS THE RESPONSIBILITY OF THE INSTALLING CONTRACTOR TO ENSURE THAT THE FINAL EQUIPMENT INSTALLATION MEETS ALL APPLICABLE CODE REQUIREMENTS.
2. ILLUSTRATION SHOWN IS FOR GENERAL REPRESENTATION ONLY. ACTUAL PRODUCT WILL VARY DEPENDENT UPON APPLICATION.
3. OVERALL DIMENSIONS: 50.1 L X 35.0 W X 49.7 H.

INFORMATION SUBJECT TO CHANGE

DIMENSIONS ARE IN INCHES. DATE DRAWN: 2017/09/14	HUSSMANN®	
	HIGH EFFICIENCY H SERIES MD OD HD BASE	
THIRD ANGLE PROJECTION	SHEET 3 OF 3	DOC PD-000000018 REV F

SWN 1.0 SUBMITTAL SHEET SIZE D