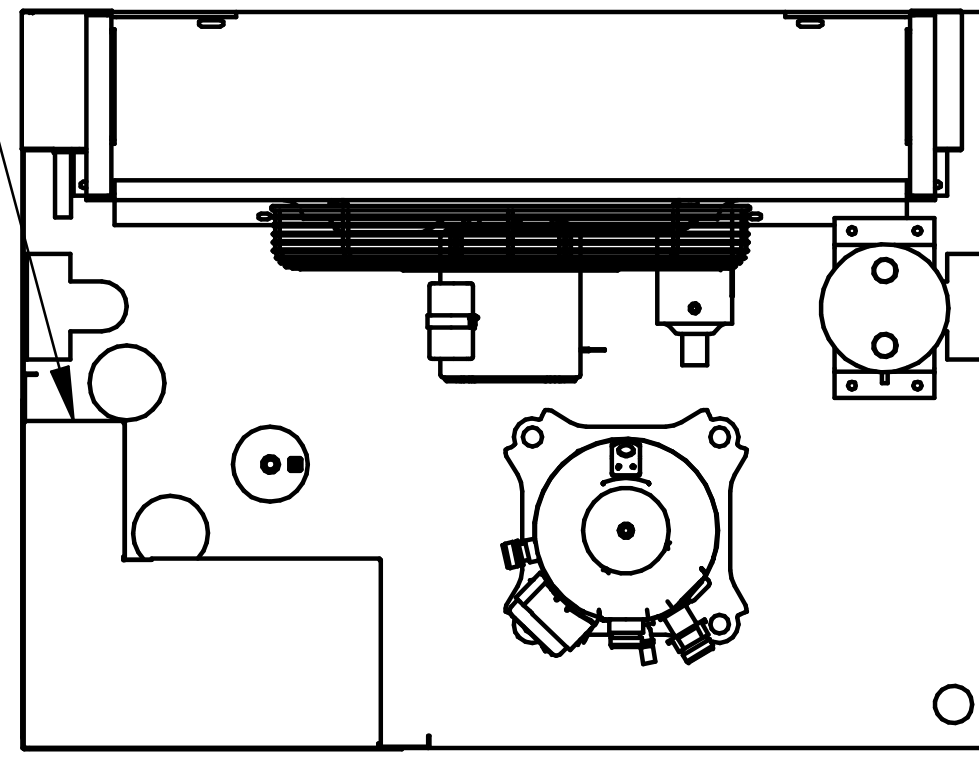
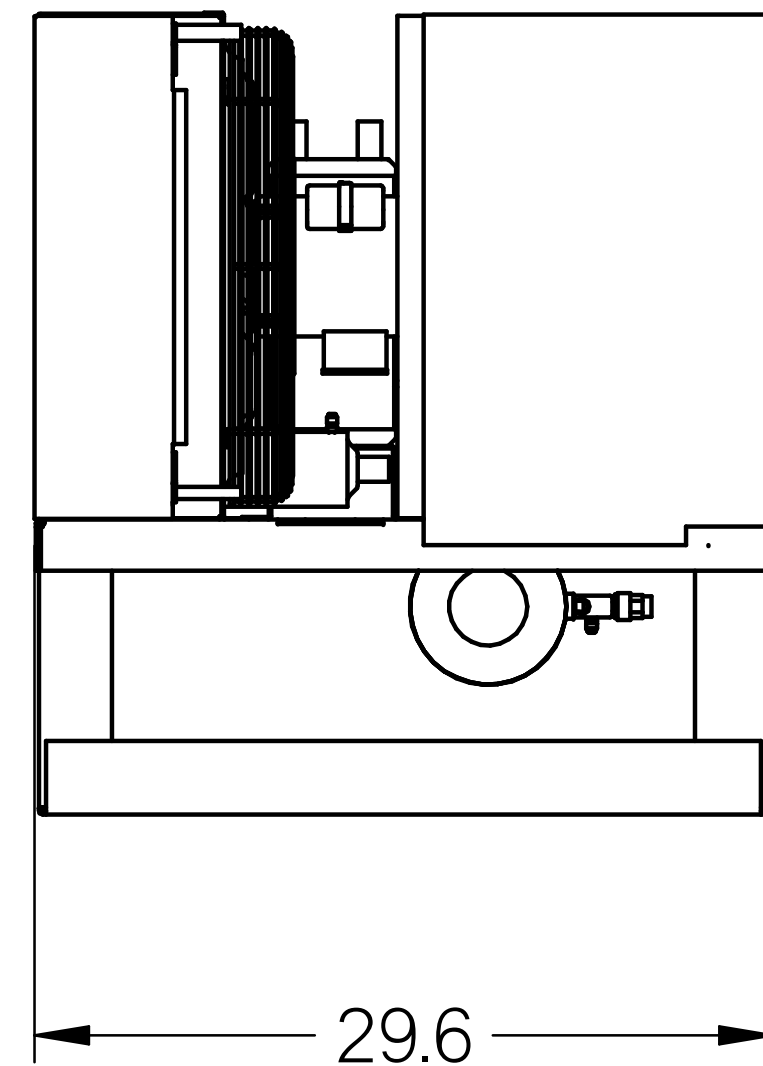
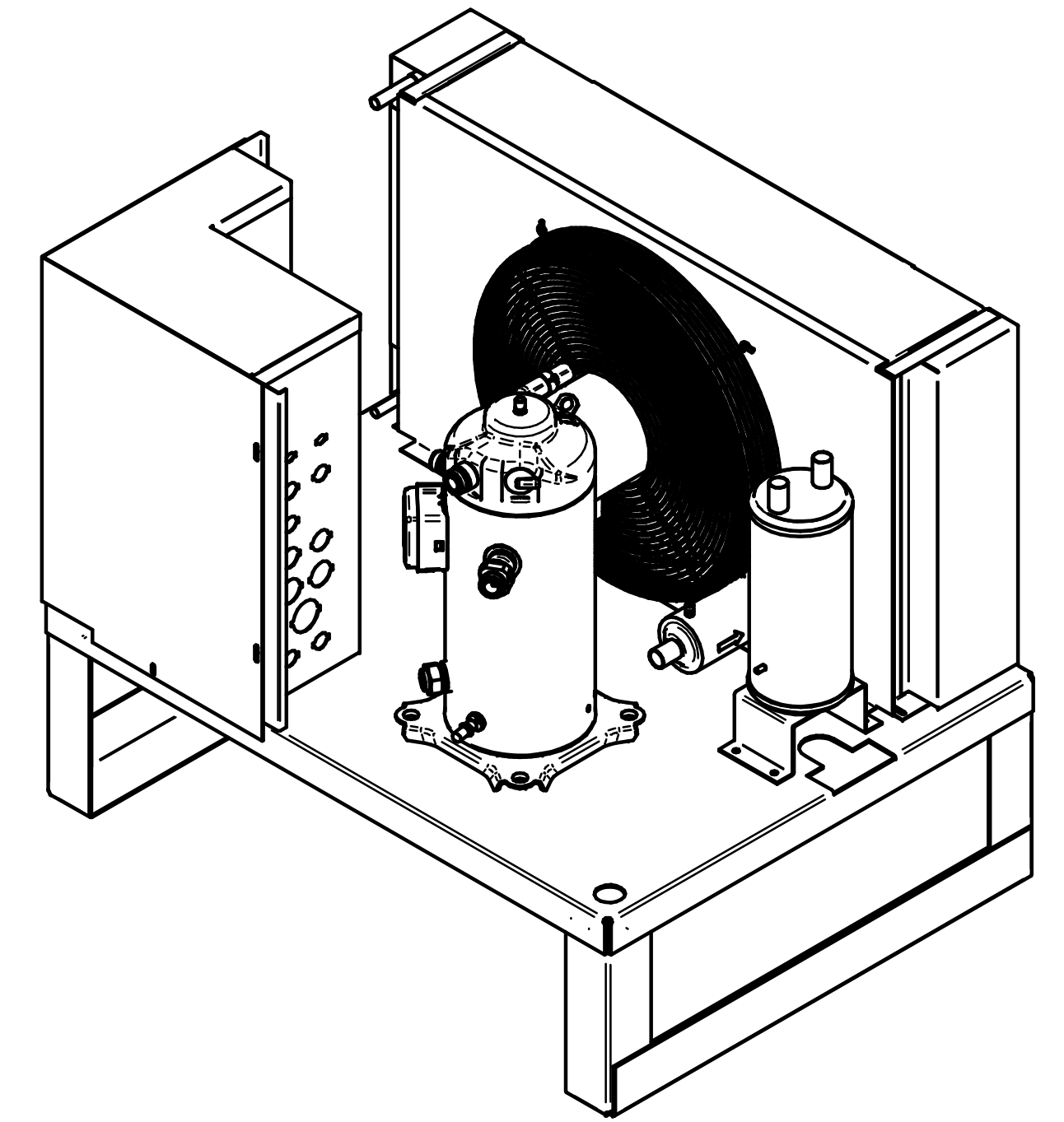


HIGH EFFICIENCY  
 H-SERIES  
 SMALL SIZE  
 INDOOR UNIT  
 HEAVY DUTY BASE  
 "HxHx-xxxxxxx-xx-x"  
 WEIGHT: 400 LBS.

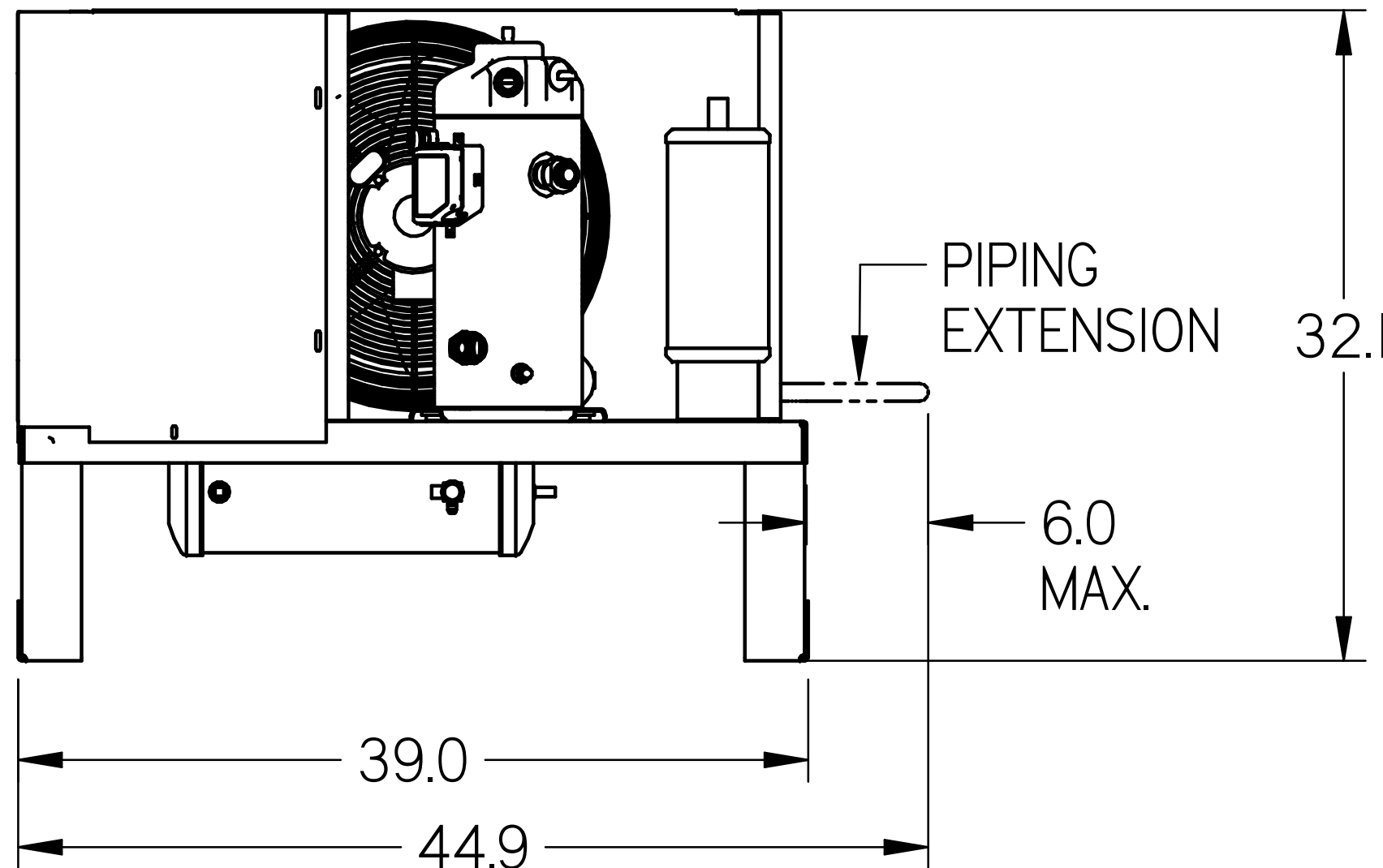
MAIN  
 ELECTRICAL  
 CONNECTION  
 BEHIND  
 CONTROL PANEL



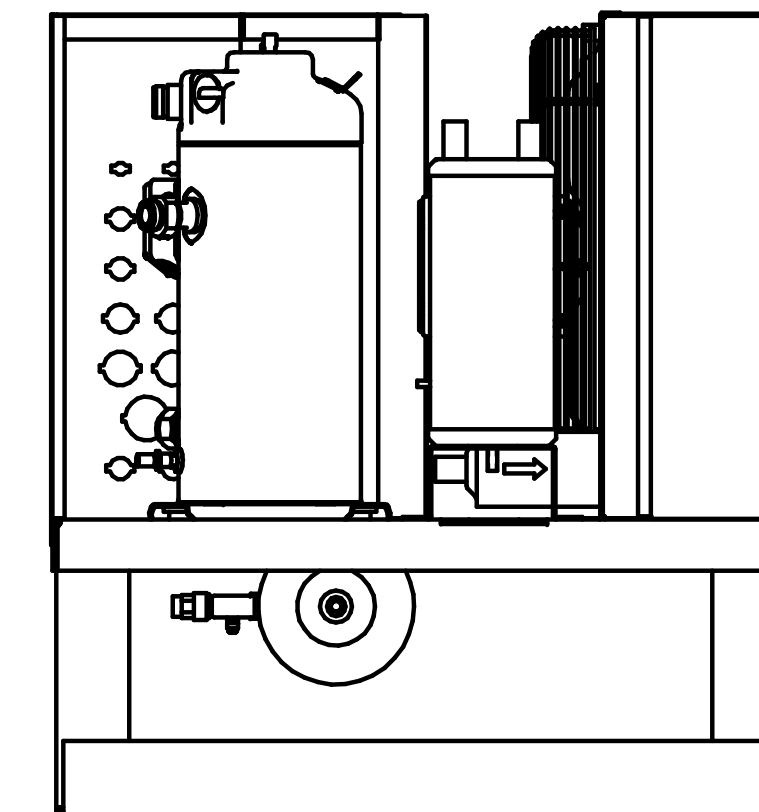
TOP VIEW



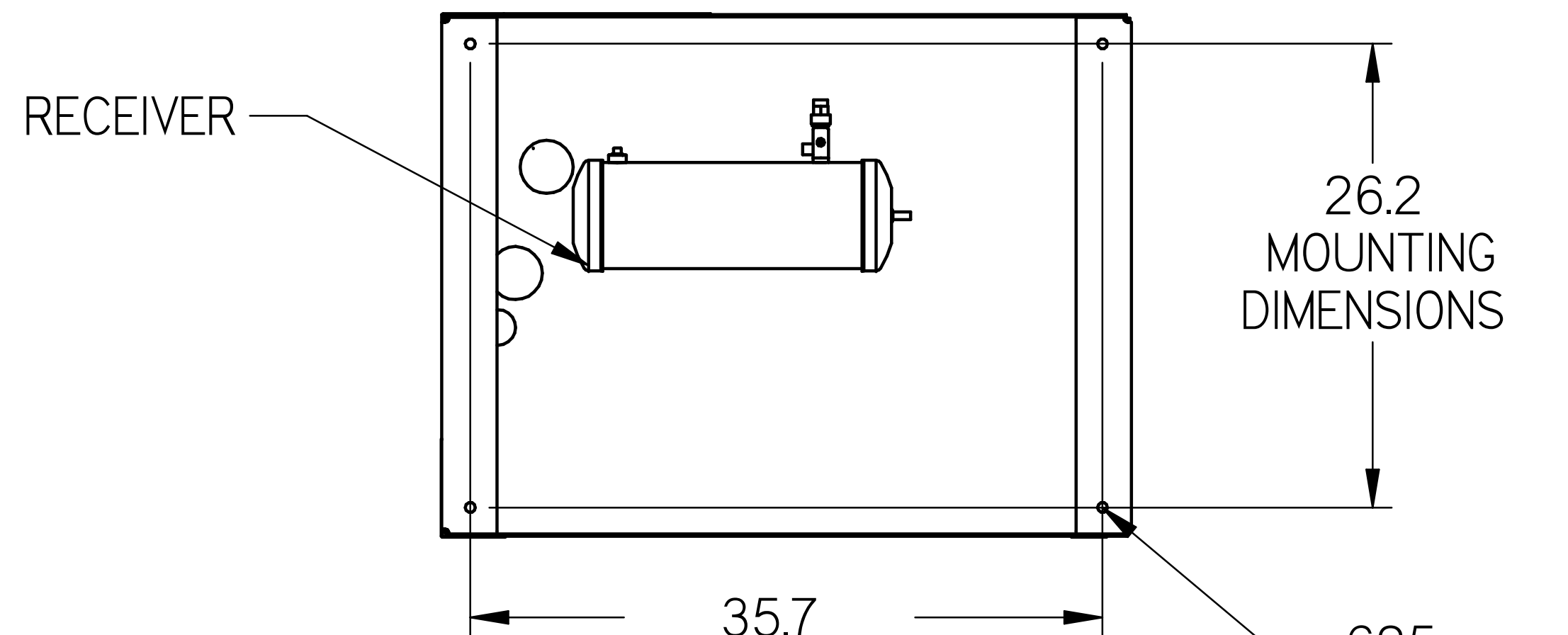
LEFT SIDE VIEW



FRONT VIEW



RIGHT SIDE VIEW



BOTTOM VIEW

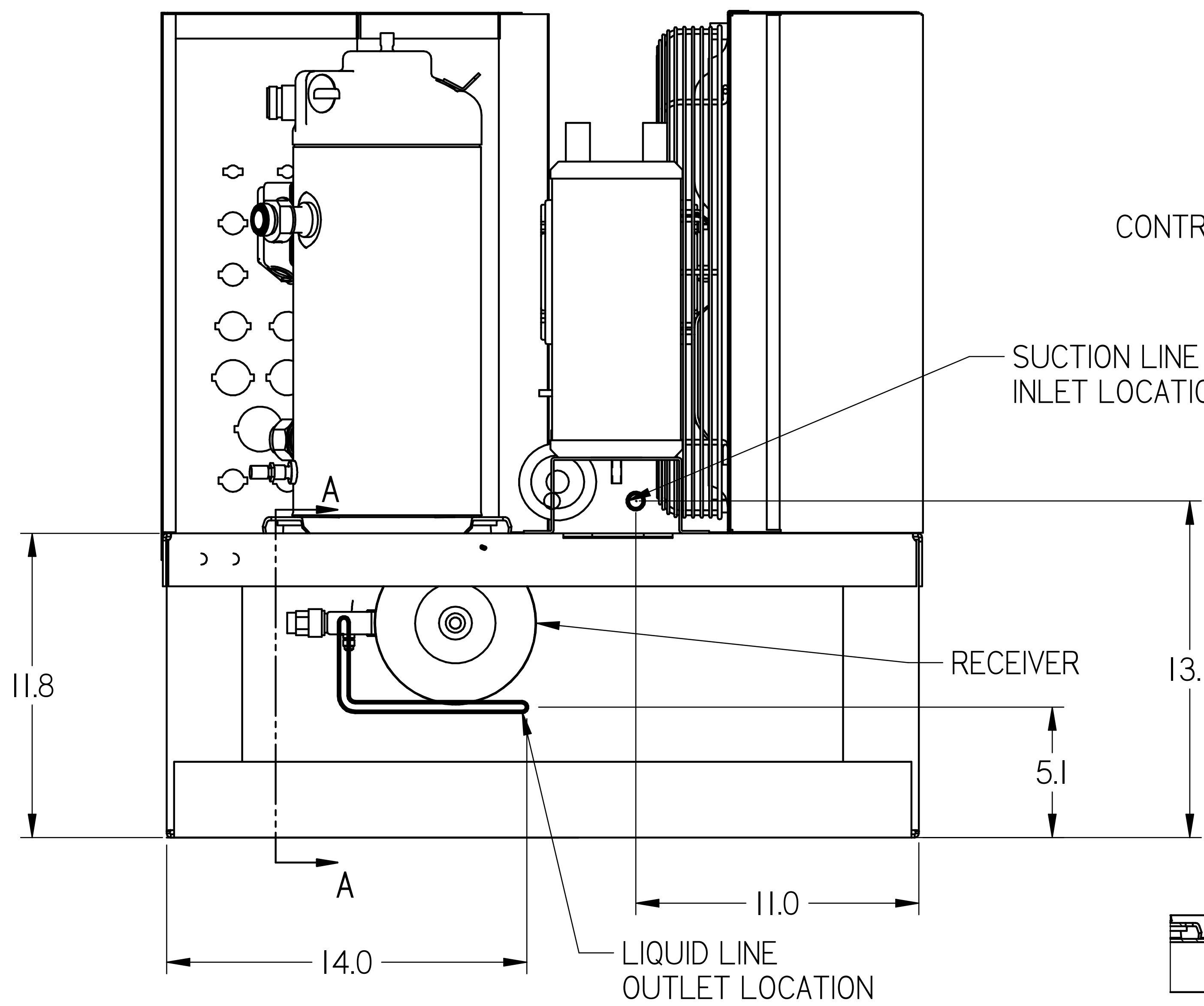
NOTES:

1. IT IS THE RESPONSIBILITY OF THE INSTALLING CONTRACTOR TO ENSURE THAT THE FINAL EQUIPMENT INSTALLATION MEETS ALL APPLICABLE CODE REQUIREMENTS.
2. ILLUSTRATION SHOWN IS FOR GENERAL REPRESENTATION ONLY. ACTUAL PRODUCT WILL VARY DEPENDENT UPON APPLICATION.
3. OVERALL DIMENSIONS: 44.9 L X 29.6 W X 32.1 H.

INFORMATION SUBJECT TO CHANGE

DIMENSIONS ARE IN INCHES		<b>HUSSMANN</b> <sup>®</sup>
DRAWN: DEC 2019		
	THIRD ANGLE PROJECTION	HIGH EFFICIENCY H-SERIES SMALL INDOOR HD BASE
	SHEET 1 OF 3	DOC PD-000000009 REV D

SWN 1.0 SUBMITTAL SHEET SIZE D

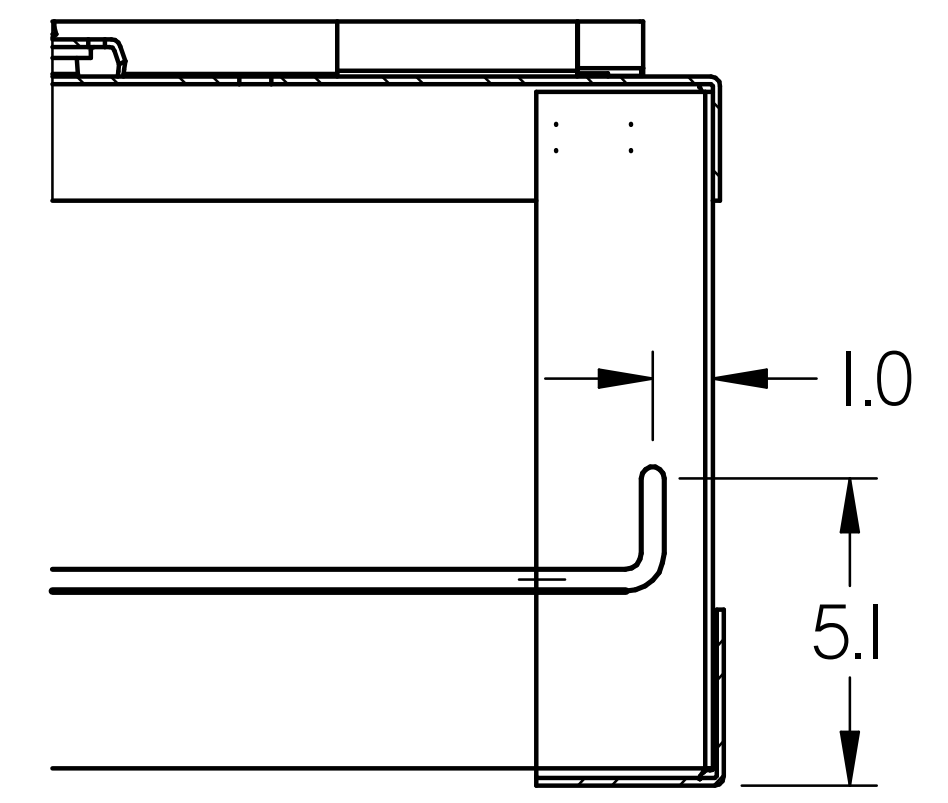


PIPING CONNECTION LOCATION  
OUT RIGHT SIDE OF UNIT

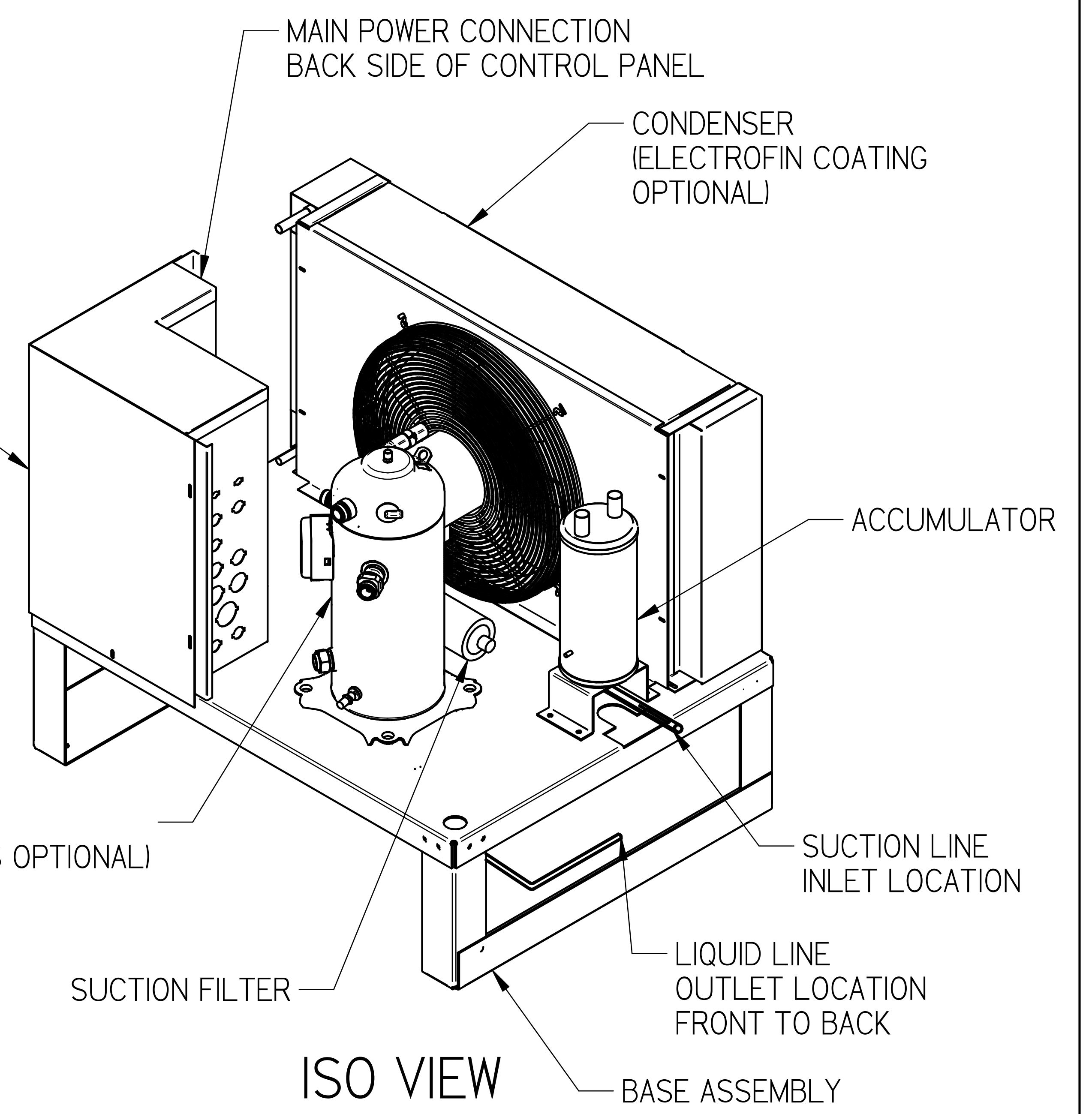
CONTROL PANEL

SUCTION LINE  
INLET LOCATION

RECEIVER



SECTION A-A



ISO VIEW

- NOTES:
1. IT IS THE RESPONSIBILITY OF THE INSTALLING CONTRACTOR TO ENSURE THAT THE FINAL EQUIPMENT INSTALLATION MEETS ALL APPLICABLE CODE REQUIREMENTS.
  2. ILLUSTRATION SHOWN IS FOR GENERAL REPRESENTATION ONLY. ACTUAL PRODUCT WILL VARY DEPENDENT UPON APPLICATION.
  3. OVERALL DIMENSIONS: 44.9 L X 29.6 W X 32.1 H.

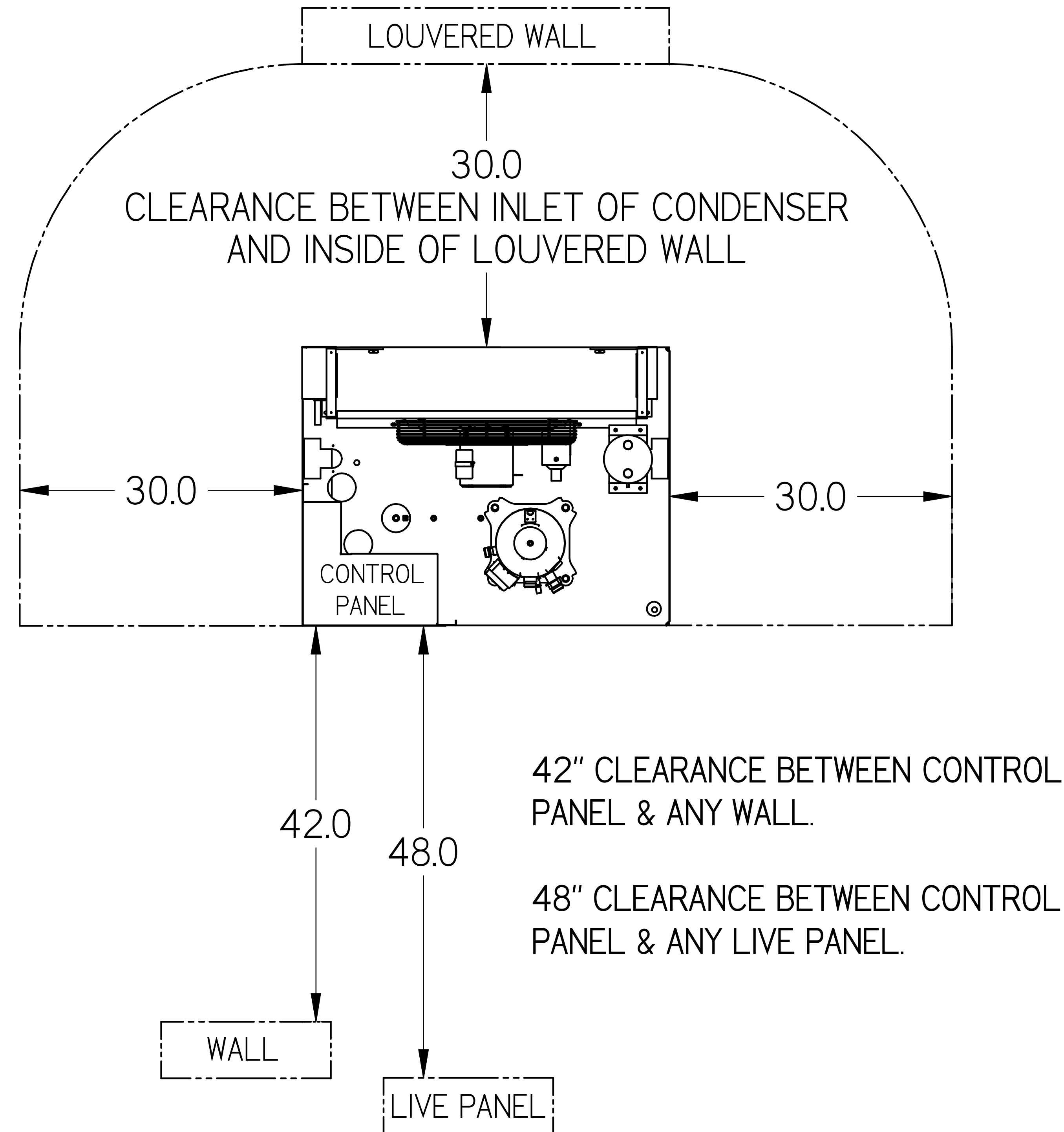
INFORMATION SUBJECT TO CHANGE

DIMENSIONS ARE IN INCHES		<b>HUSSMANN</b> <sup>®</sup>
DRAWN: DEC 2019		
	THIRD ANGLE PROJECTION	HIGH EFFICIENCY H-SERIES SMALL INDOOR HD BASE
	SHEET 2 OF 3	DOC PD-00000009

SHEET 2 OF 3

**MINIMUM CLEARANCE REQUIREMENTS:**

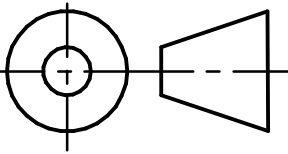
ACTUAL CLEARANCE REQUIREMENTS ARE DEPENDENT UPON AUTHORITY HAVING JURISDICTION, AND MAY EXCEED DIMENSIONS SHOWN.



NOTES:

1. IT IS THE RESPONSIBILITY OF THE INSTALLING CONTRACTOR TO ENSURE THAT THE FINAL EQUIPMENT INSTALLATION MEETS ALL APPLICABLE CODE REQUIREMENTS.
2. ILLUSTRATION SHOWN IS FOR GENERAL REPRESENTATION ONLY. ACTUAL PRODUCT WILL VARY DEPENDENT UPON APPLICATION.
3. OVERALL DIMENSIONS: 44.9 L X 29.6 W X 32.1 H.

INFORMATION SUBJECT TO CHANGE

DIMENSIONS ARE IN INCHES	<b>HUSSmann</b> <sup>®</sup>
DRAWN: DEC 2019	
 THIRD ANGLE PROJECTION	HIGH EFFICIENCY H-SERIES SMALL INDOOR HD BASE
SHEET 3 OF 3	DOC PD-000000009 REV D

SWN 1.0 SUBMITTAL SHEET SIZE D