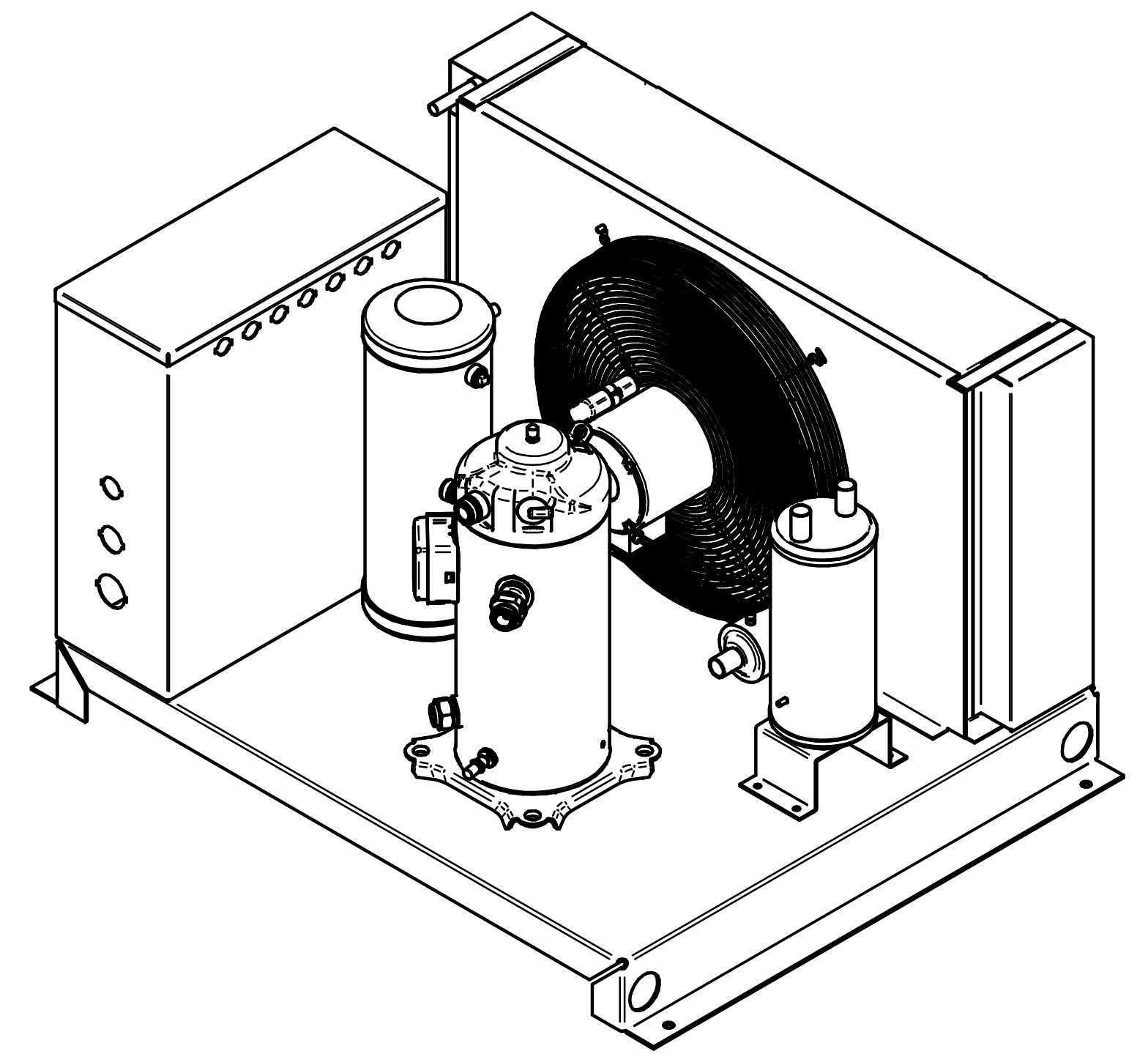
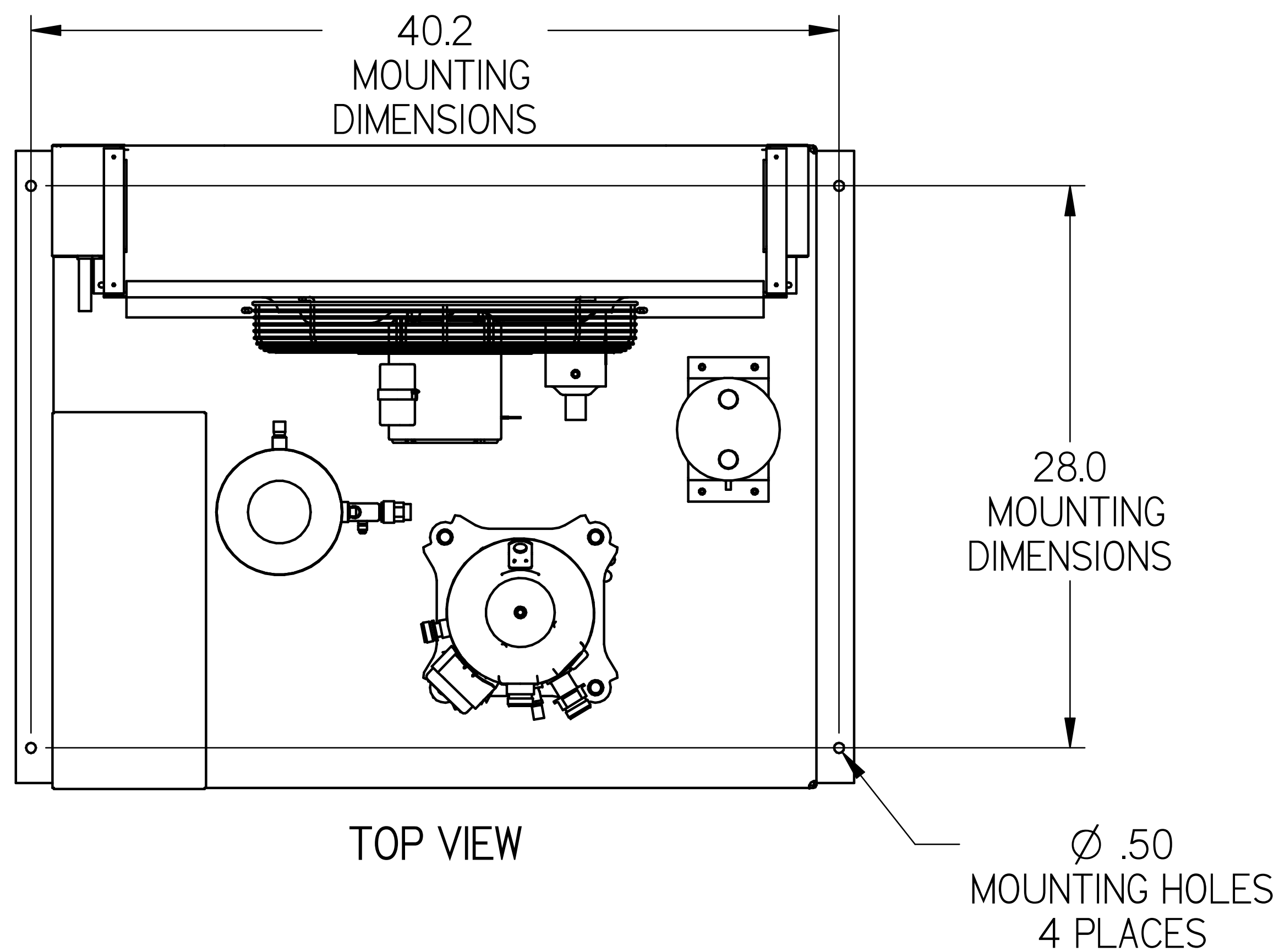
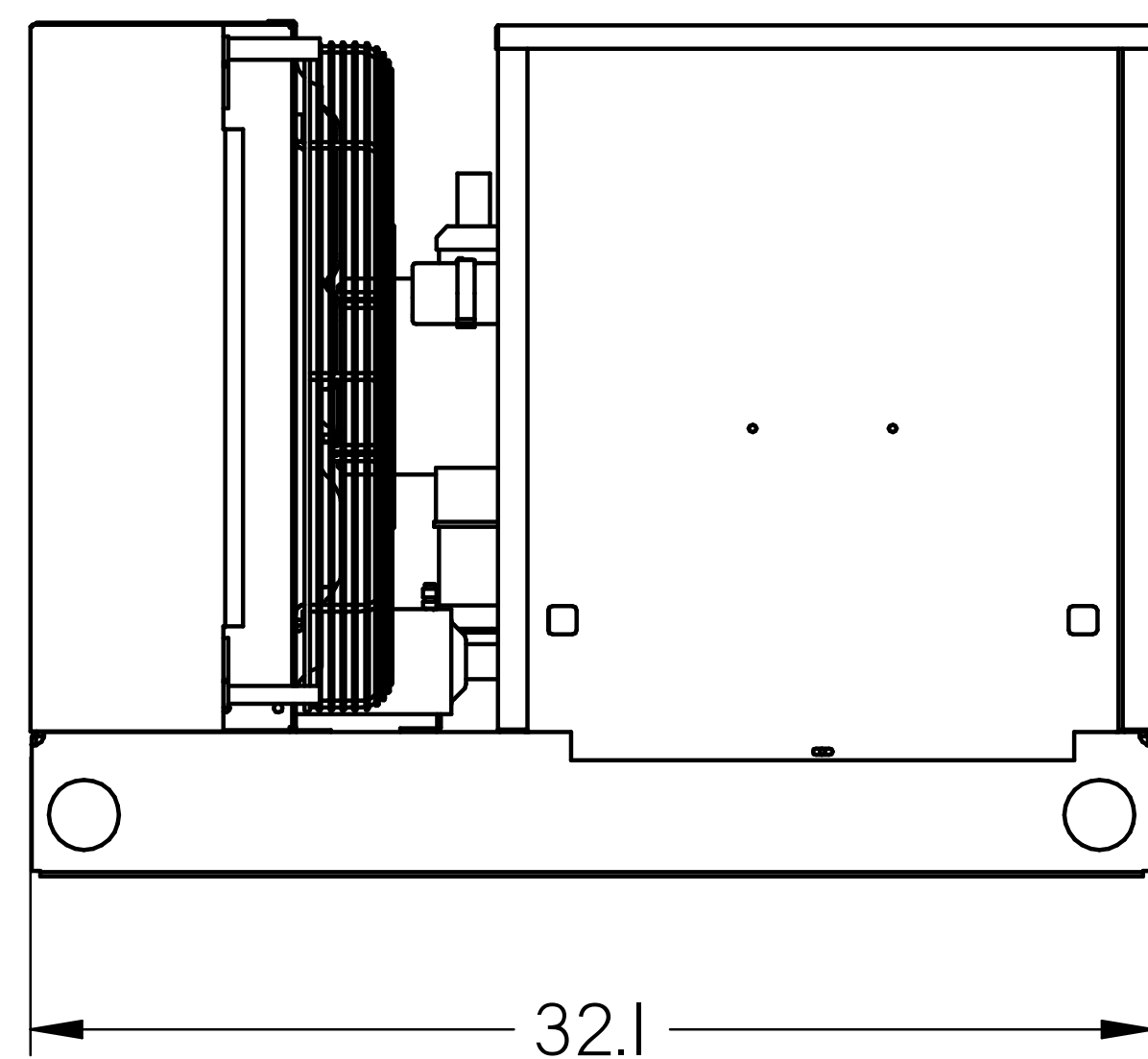


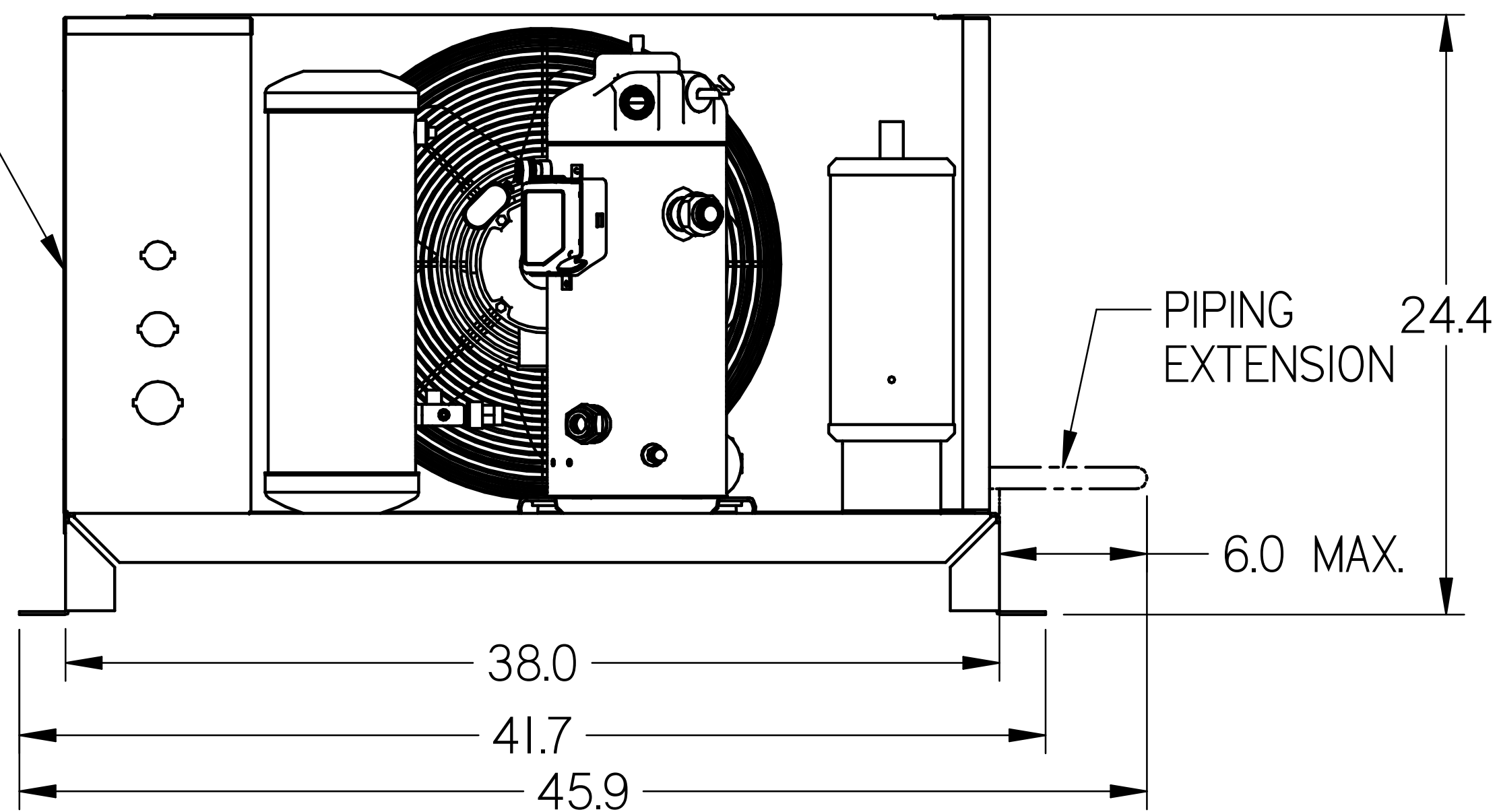
**HIGH EFFICIENCY
H-SERIES
SMALL SIZE
INDOOR UNIT
STANDARD BASE
"HxSx-xxxxxxx-xx-x"
WEIGHT: 400 LBS**



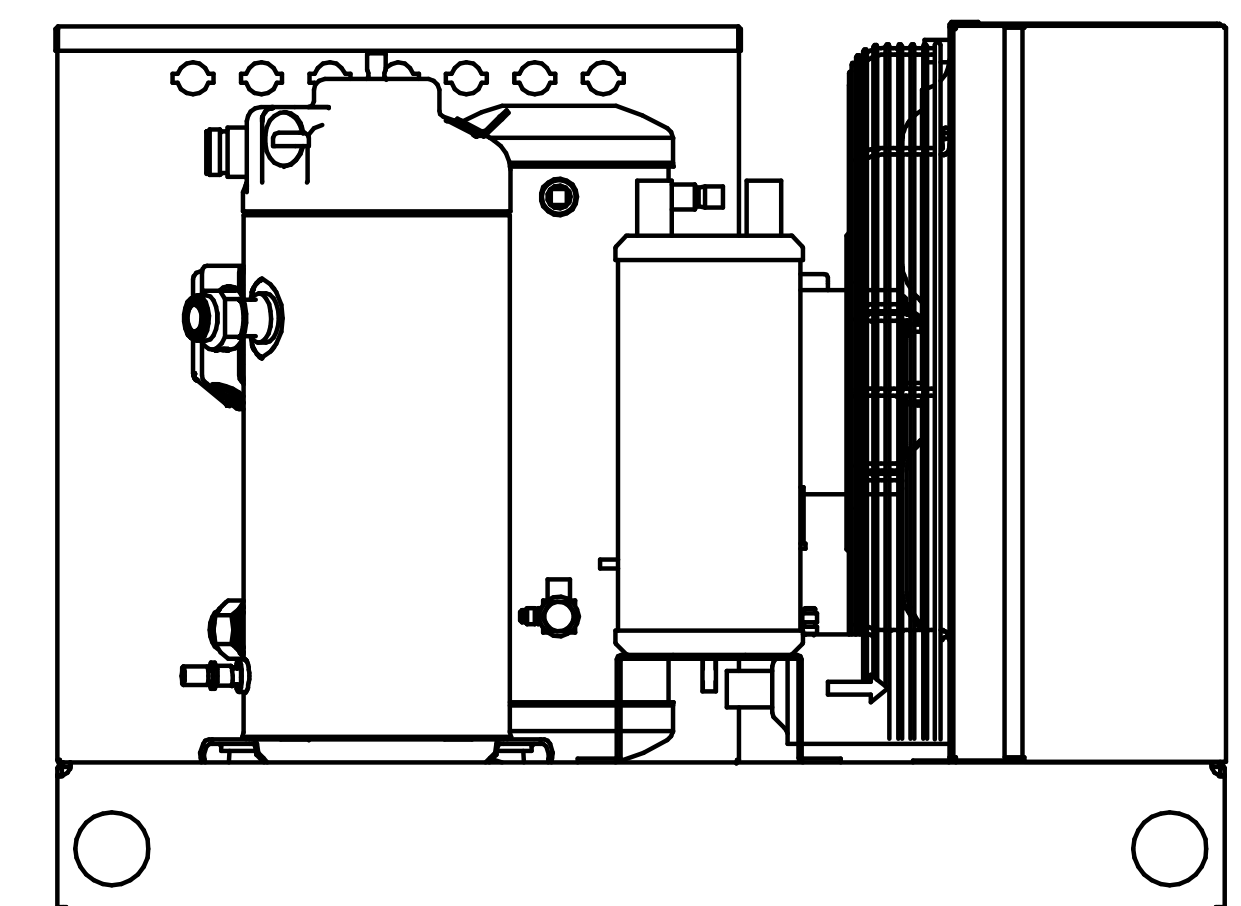
CONTROL PANEL
FACING LEFT
END OF UNIT



LEFT SIDE VIEW



FRONT VIEW



RIGHT SIDE VIEW

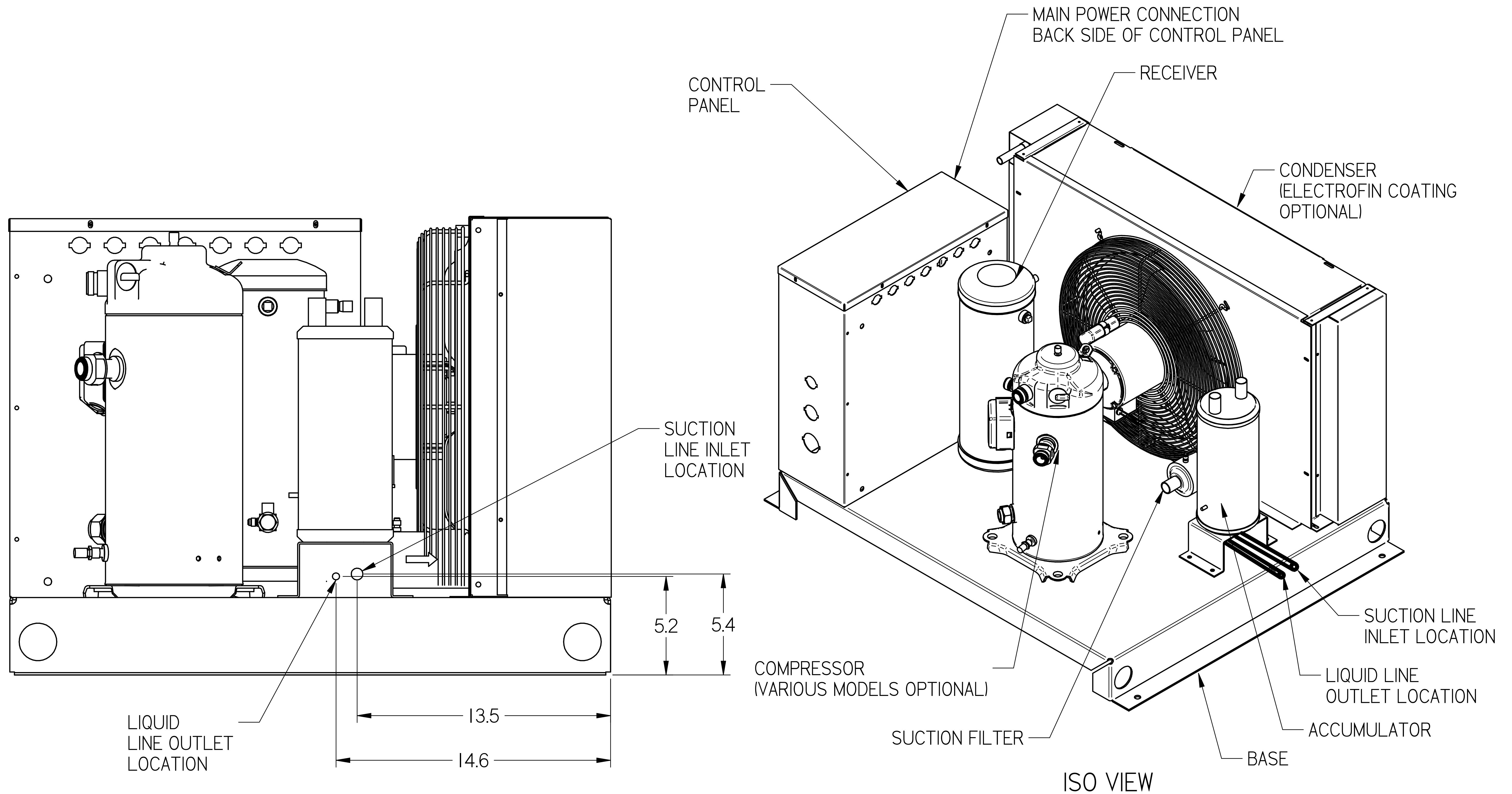
NOTES:

1. IT IS THE RESPONSIBILITY OF THE INSTALLING CONTRACTOR TO ENSURE THAT THE FINAL EQUIPMENT INSTALLATION MEETS ALL APPLICABLE CODE REQUIREMENTS.
2. ILLUSTRATION SHOWN IS FOR GENERAL REPRESENTATION ONLY. ACTUAL PRODUCT WILL VARY DEPENDENT UPON APPLICATION.
3. OVERALL DIMENSIONS: 45.9 L X 32.1 W X 24.4 H.

INFORMATION SUBJECT TO CHANGE

DIMENSIONS ARE IN INCHES	HUSSMANN [®]
DRAWN: DEC 2019	
THIRD ANGLE PROJECTION	HIGH EFFICIENCY H-SERIES SMALL INDOOR STD BASE
SHEET 1 OF 3	DOC PD-000000004 REV E

SWN 1.0 SUBMITTAL SHEET SIZE D



PIPING CONNECTION LOCATION
OUT RIGHT SIDE OF UNIT

NOTES:

1. IT IS THE RESPONSIBILITY OF THE INSTALLING CONTRACTOR TO ENSURE THAT THE FINAL EQUIPMENT INSTALLATION MEETS ALL APPLICABLE CODE REQUIREMENTS.
2. ILLUSTRATION SHOWN IS FOR GENERAL REPRESENTATION ONLY. ACTUAL PRODUCT WILL VARY DEPENDENT UPON APPLICATION.
3. OVERALL DIMENSIONS: 45.9 L X 32.1 W X 24.4 H.

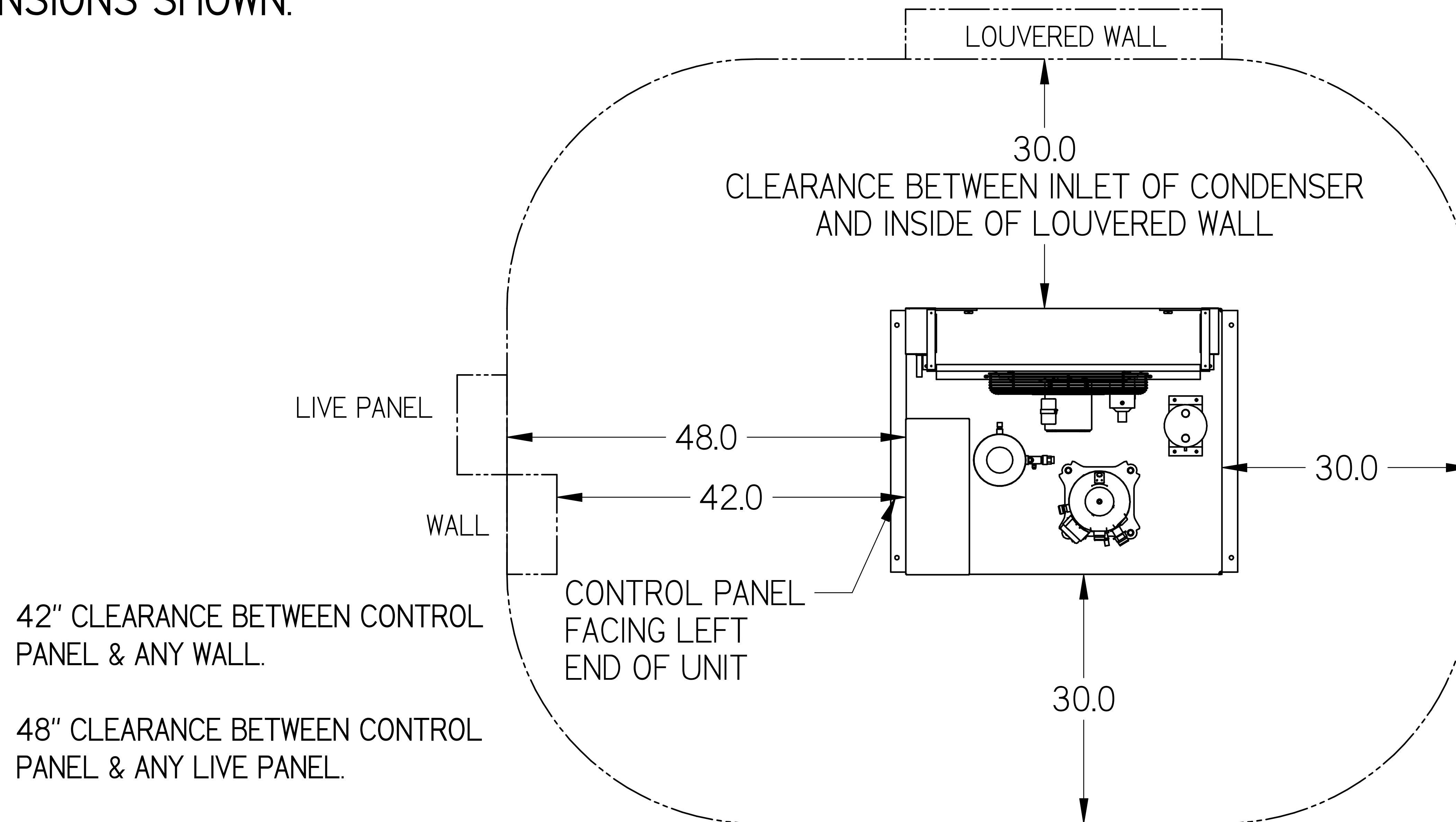
INFORMATION SUBJECT TO CHANGE

DIMENSIONS ARE IN INCHES		HUSSMANN [®]
DRAWN: DEC 2019		
	THIRD ANGLE PROJECTION	HIGH EFFICIENCY H-SERIES SMALL INDOOR STD BASE
	SHEET 2 OF 3	DOC PD-00000004 REV E

SHEET 2 OF 3

MINIMUM CLEARANCE REQUIREMENTS:

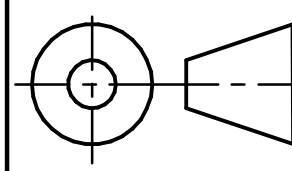
ACTUAL CLEARANCE REQUIREMENTS ARE DEPENDENT UPON AUTHORITY HAVING JURISDICTION, AND MAY EXCEED DIMENSIONS SHOWN.



NOTES:

1. IT IS THE RESPONSIBILITY OF THE INSTALLING CONTRACTOR TO ENSURE THAT THE FINAL EQUIPMENT INSTALLATION MEETS ALL APPLICABLE CODE REQUIREMENTS.
2. ILLUSTRATION SHOWN IS FOR GENERAL REPRESENTATION ONLY. ACTUAL PRODUCT WILL VARY DEPENDENT UPON APPLICATION.
3. OVERALL DIMENSIONS: 45.9 L X 32.1 W X 24.4 H.

INFORMATION SUBJECT TO CHANGE

DIMENSIONS ARE IN INCHES	HUSSMANN [®]
DRAWN: DEC 2019	
 THIRD ANGLE PROJECTION	HIGH EFFICIENCY H-SERIES SMALL INDOOR STD BASE
SHEET 3 OF 3	DOC PD-000000004 REV E

SWN 1.0 SUBMITTAL SHEET SIZE D