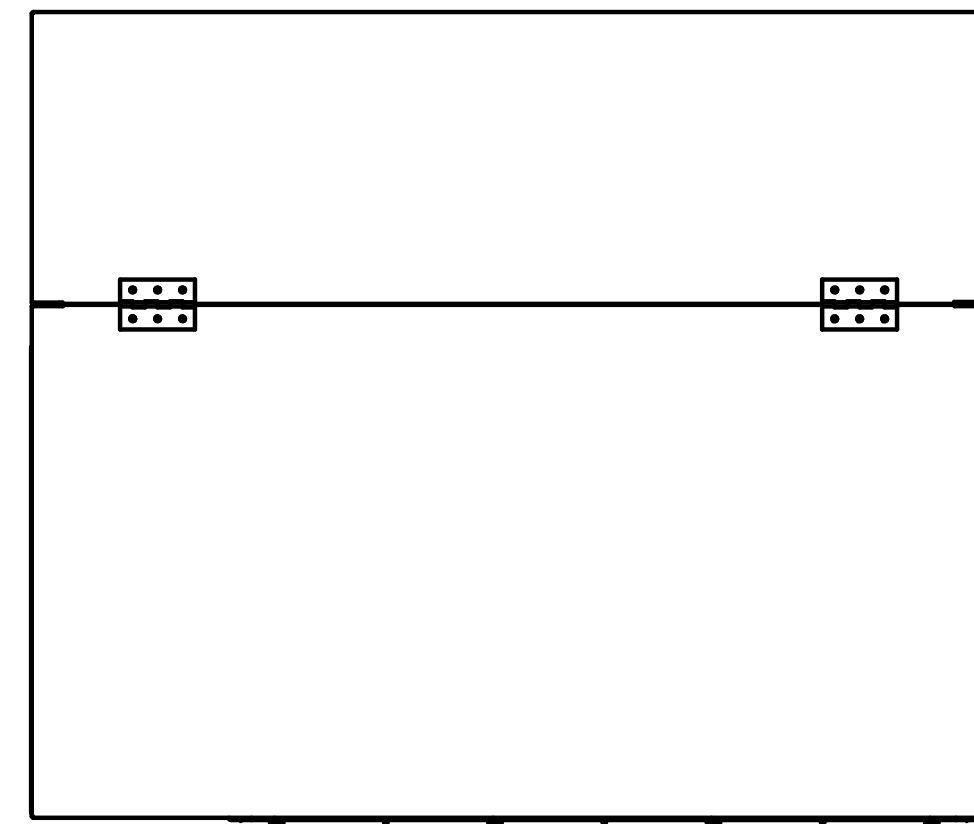
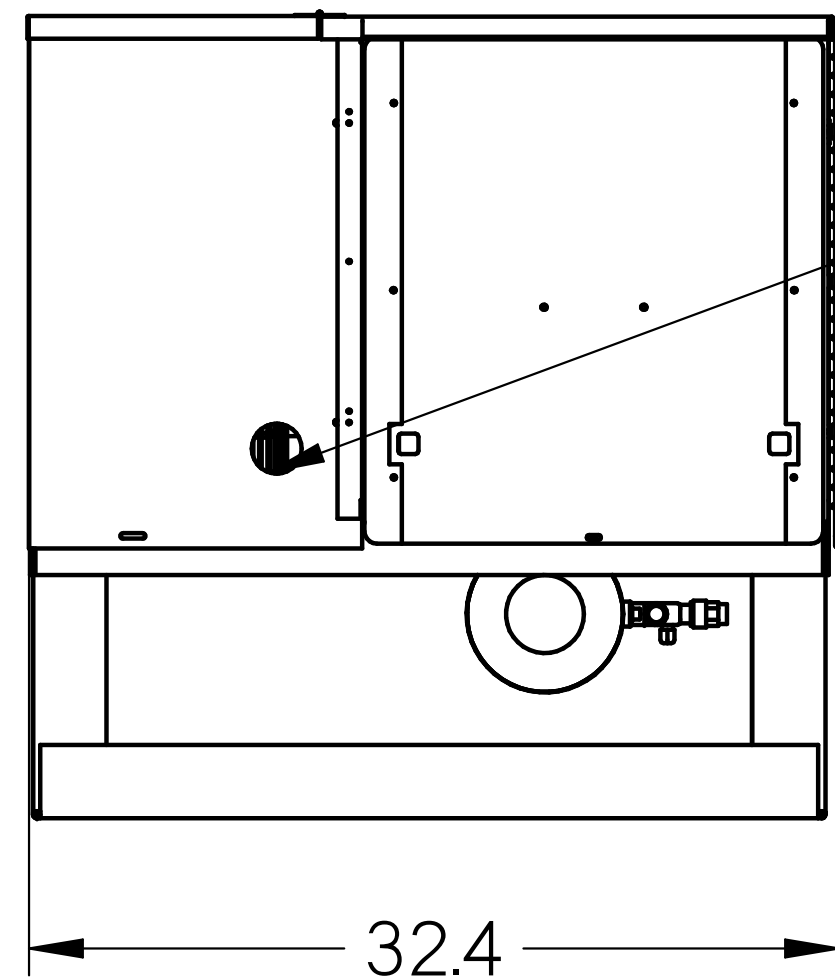
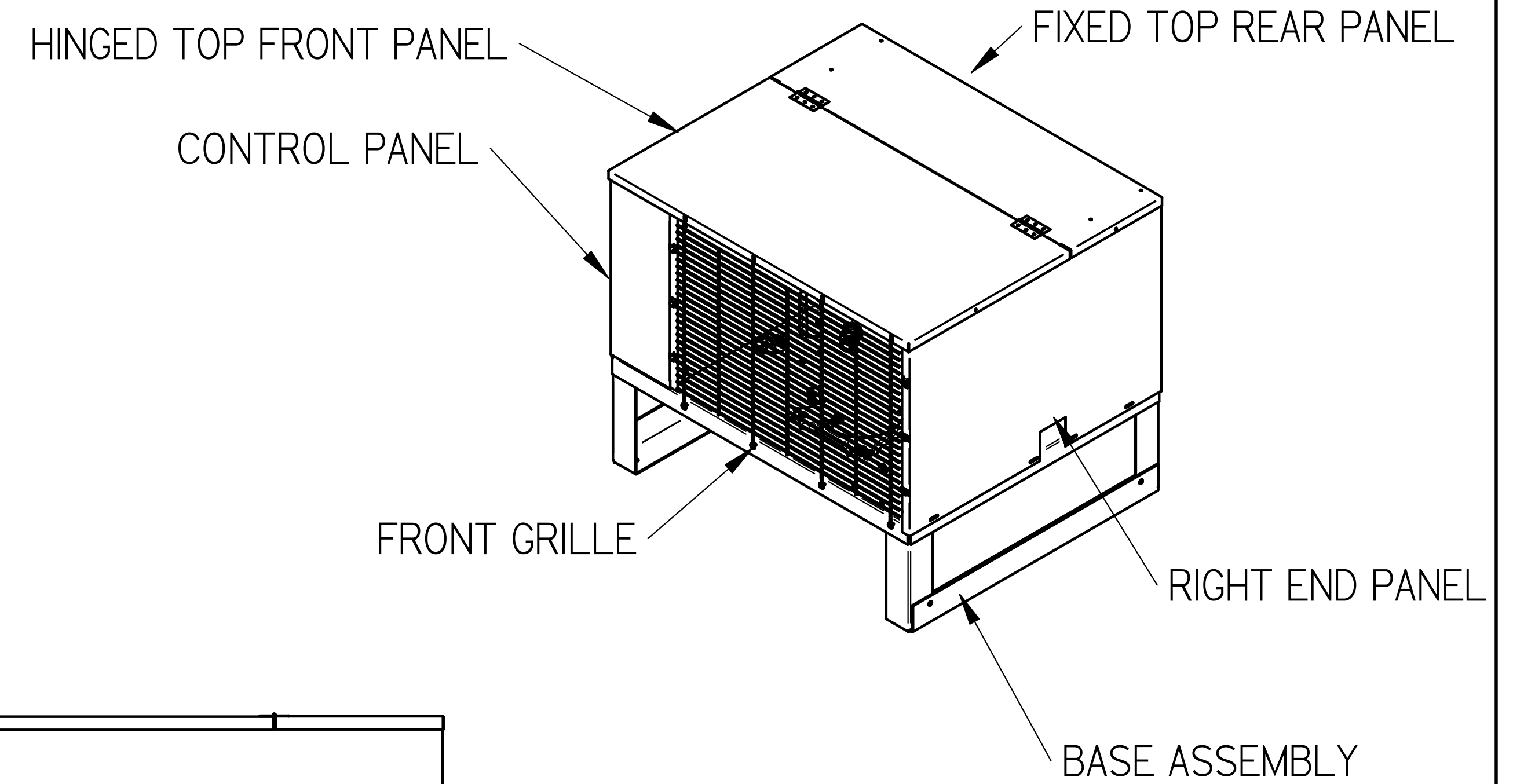


**HIGH EFFICIENCY  
H-SERIES  
SMALL SIZE  
OUTDOOR UNIT  
HEAVY DUTY BASE  
"HxHx-xxxxxxx-xx-x"  
WEIGHT: 400 LBS**



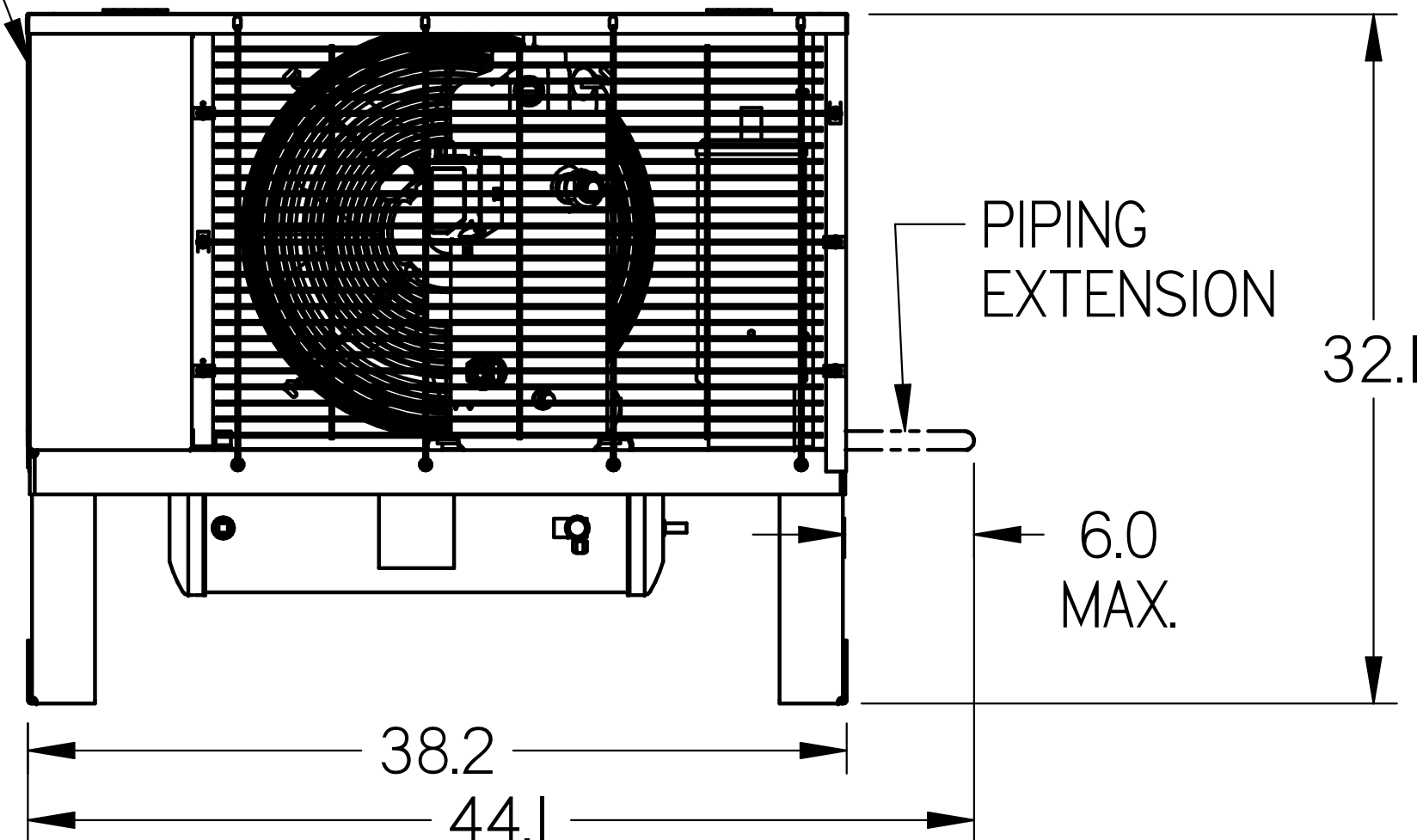
TOP VIEW



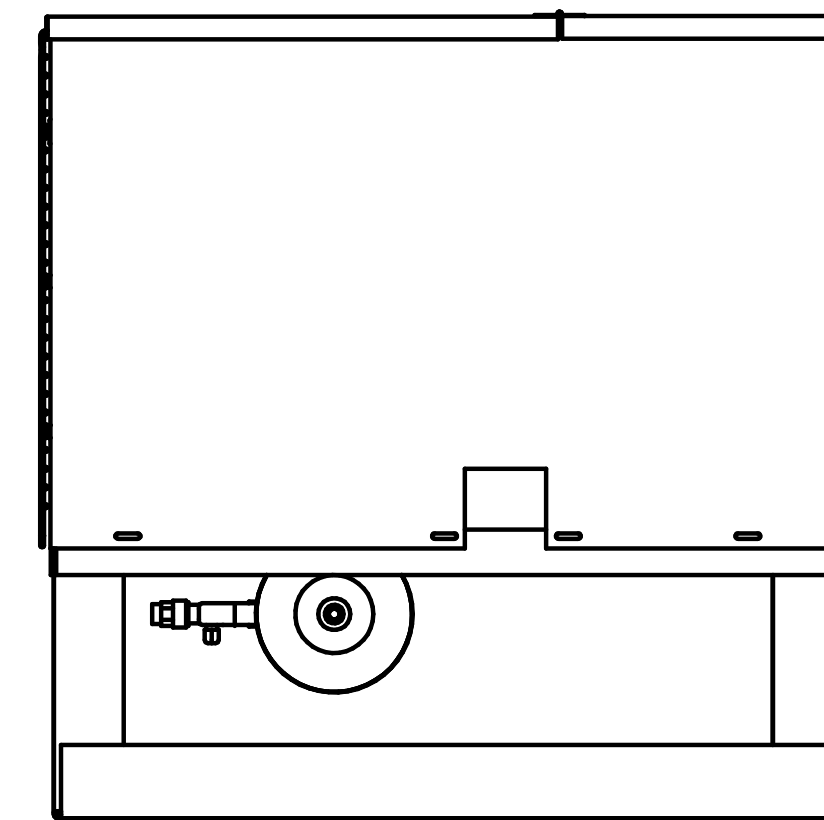
LEFT SIDE VIEW

CONTROL PANEL  
FACING LEFT  
END OF UNIT

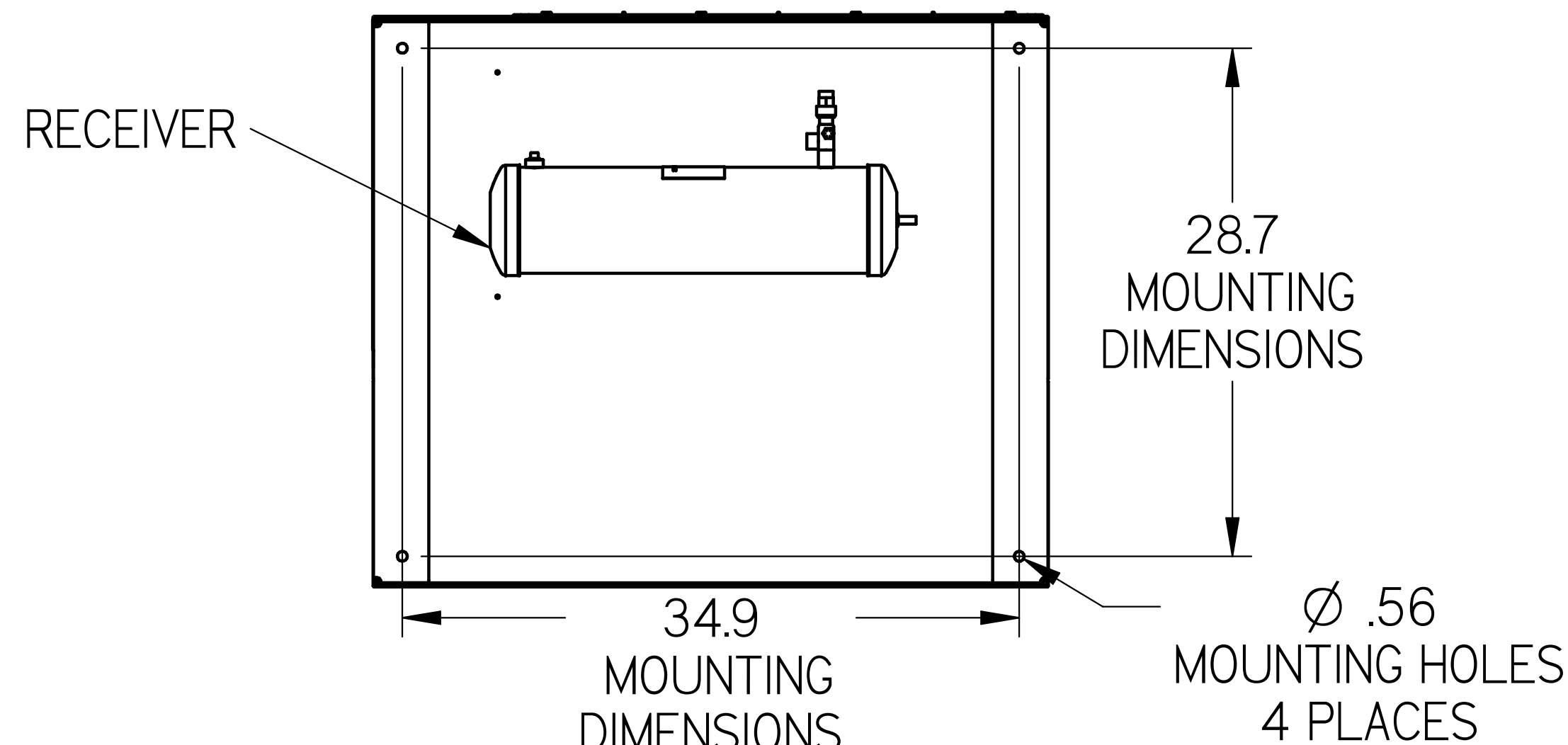
MAIN ELECTRICAL  
CONNECTION  
LOCATION



FRONT VIEW



RIGHT SIDE VIEW

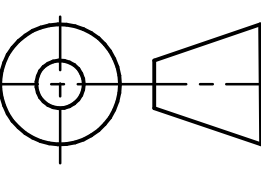


BOTTOM VIEW

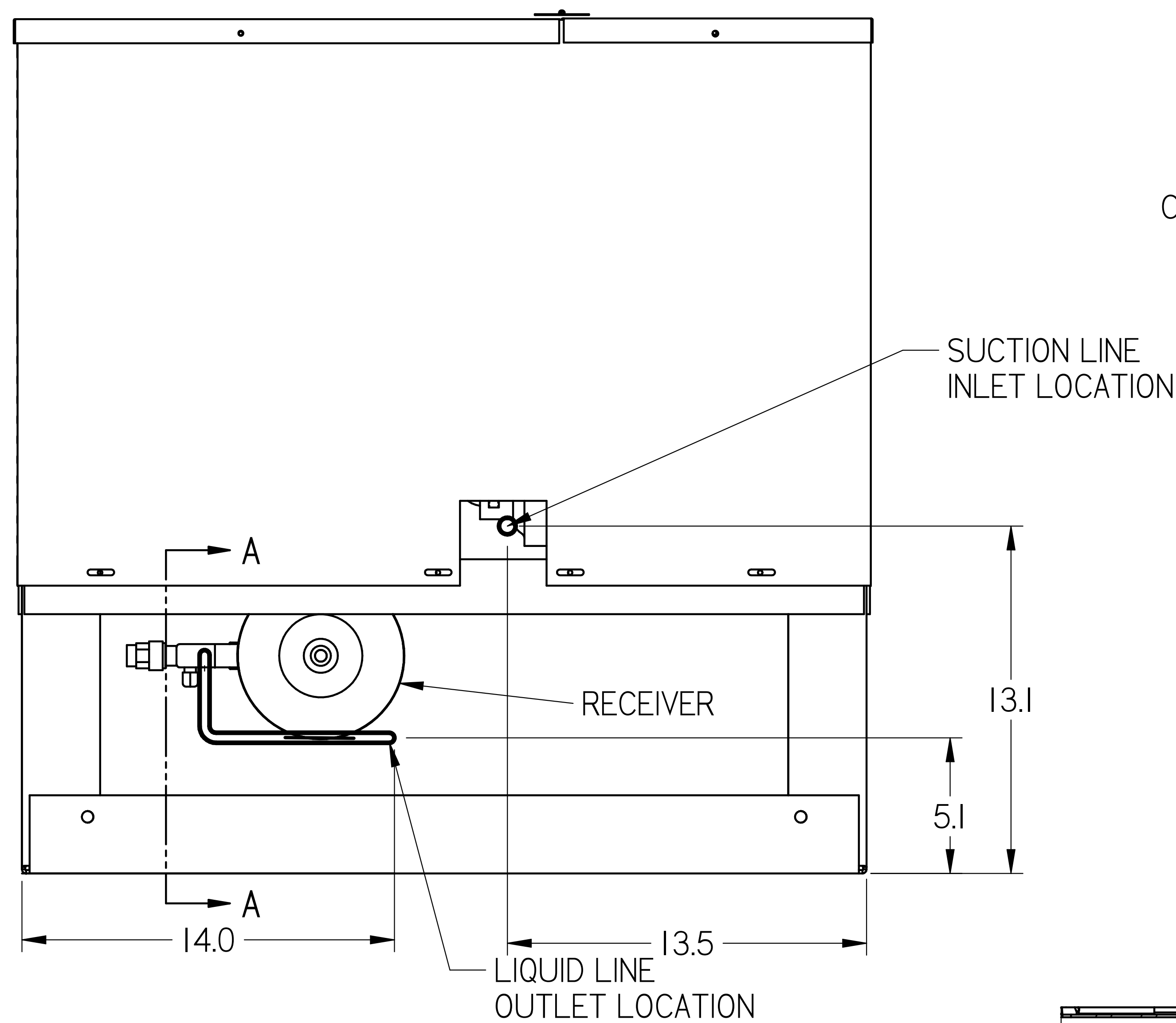
NOTES:

1. IT IS THE RESPONSIBILITY OF THE INSTALLING CONTRACTOR TO ENSURE THAT THE FINAL EQUIPMENT INSTALLATION MEETS ALL APPLICABLE CODE REQUIREMENTS.
2. ILLUSTRATION SHOWN IS FOR GENERAL REPRESENTATION ONLY. ACTUAL PRODUCT WILL VARY DEPENDENT UPON APPLICATION.
3. OVERALL DIMENSIONS: 44.1 L X 32.4 W X 32.1 H.

INFORMATION SUBJECT TO CHANGE

DIMENSIONS ARE IN INCHES. DATE DRAWN: 2017/09/14   THIRD ANGLE PROJECTION	<b>HUSSMANN<sup>®</sup></b>	
	HIGH EFFICIENCY H SERIES SM OD HD BASE	
SHEET 1 OF 3	DOC PD-000000017	REV E

SHEET 1 OF 3



PIPING CONNECTION LOCATION  
OUT RIGHT SIDE OF UNIT

CONTROL PANEL

COMPRESSOR  
(VARIOUS MODELS OPTIONAL)

CONDENSER  
(ELECTROFIN COATING  
OPTIONAL)

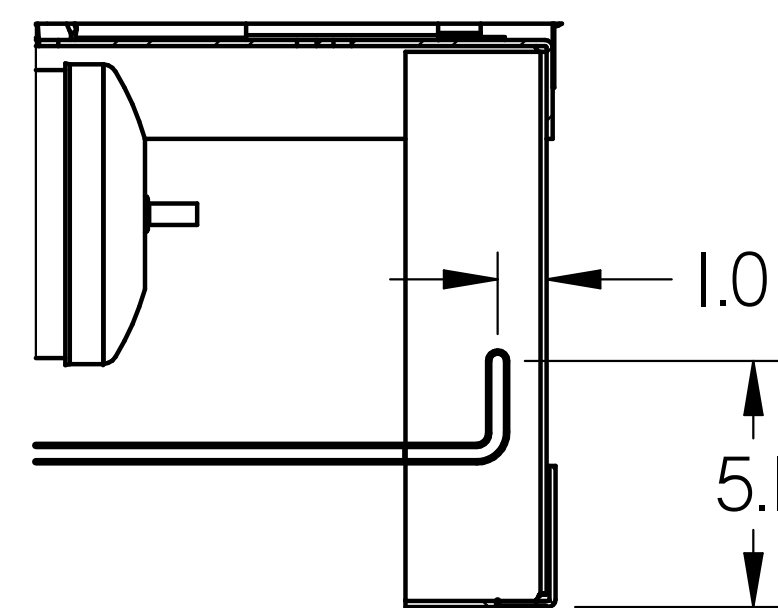
ACCUMULATOR

SUCTION LINE  
INLET LOCATION

LIQUID LINE  
OUTLET LOCATION  
FRONT TO BACK

BASE ASSEMBLY

ISO VIEW  
OUTDOOR HOUSING  
REMOVED FOR CLARITY

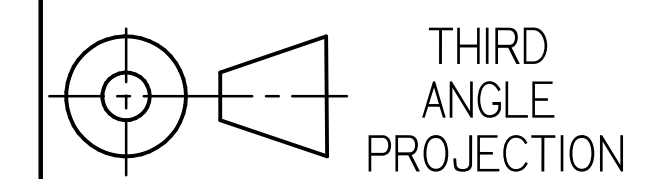


SECTION A-A

NOTES:

1. IT IS THE RESPONSIBILITY OF THE INSTALLING CONTRACTOR TO ENSURE THAT THE FINAL EQUIPMENT INSTALLATION MEETS ALL APPLICABLE CODE REQUIREMENTS.
2. ILLUSTRATION SHOWN IS FOR GENERAL REPRESENTATION ONLY. ACTUAL PRODUCT WILL VARY DEPENDENT UPON APPLICATION.
3. OVERALL DIMENSIONS: 44.1 L X 32.4 W X 32.1 H.

DIMENSIONS ARE IN INCHES.  
DATE DRAWN: 2017/09/14



SHEET 2 OF 3

**HUSSMANN**<sup>®</sup>

HIGH EFFICIENCY H  
SERIES SM OD HD  
BASE

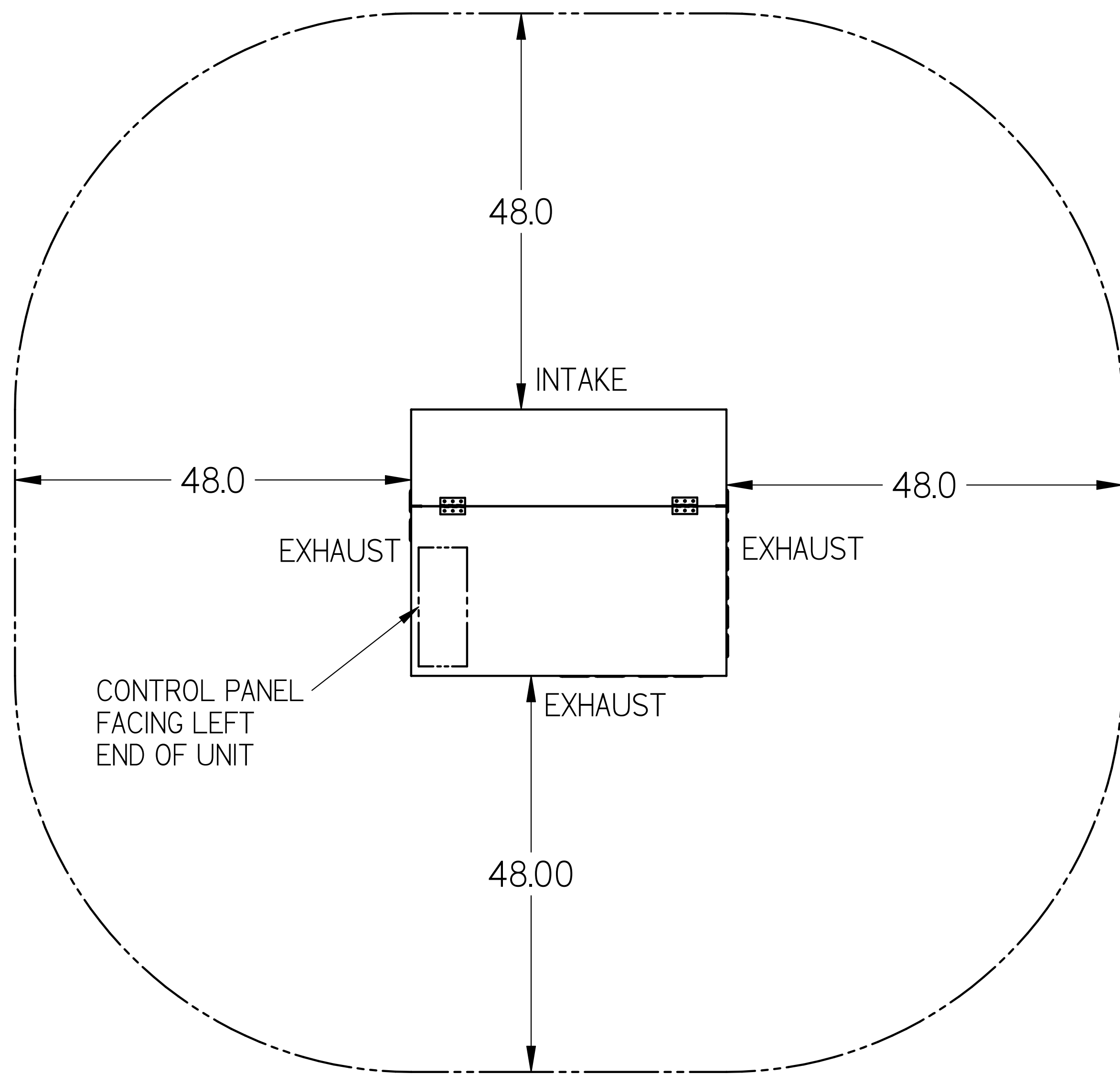
DOC PD-00000017 REV E

INFORMATION SUBJECT TO CHANGE

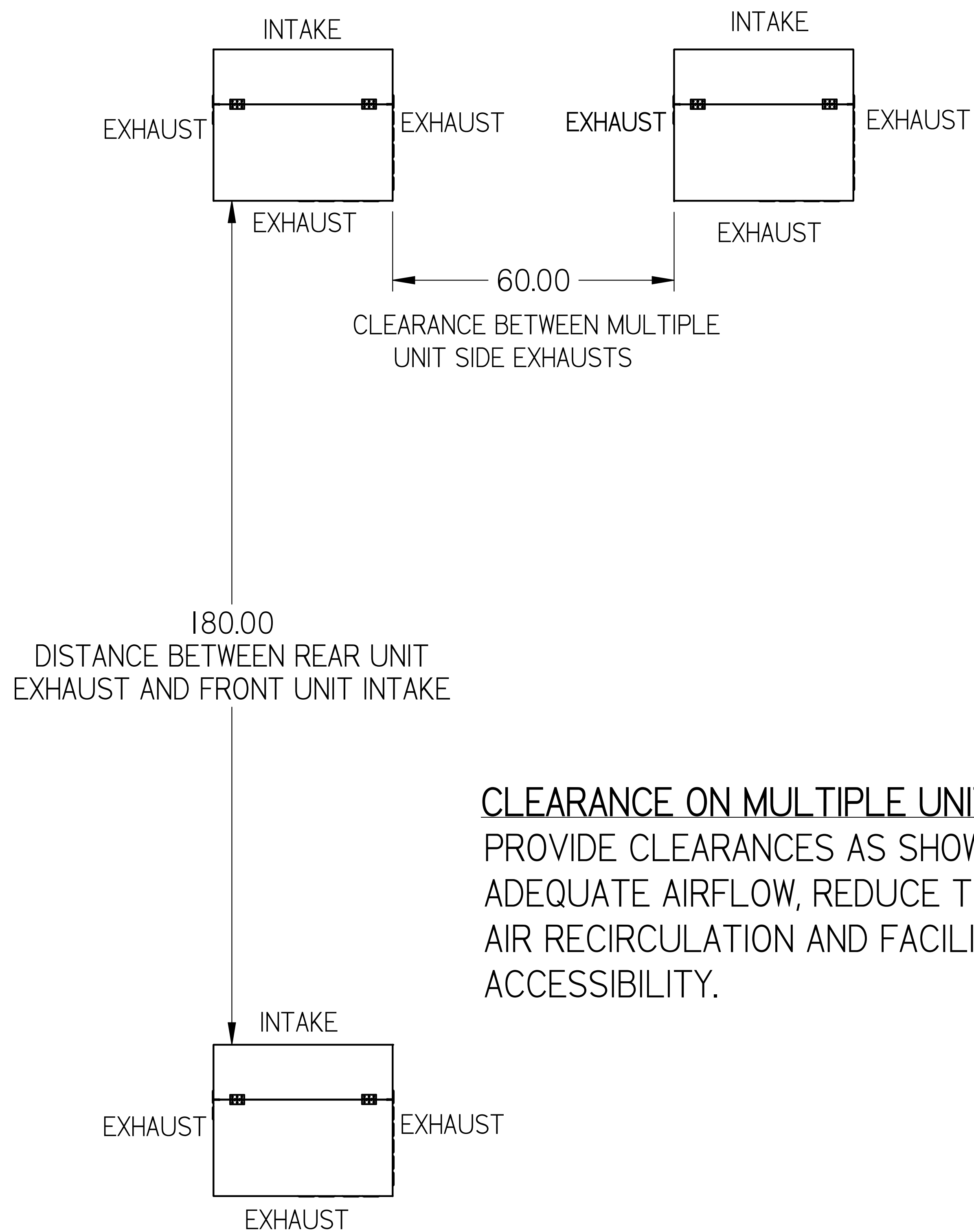
SWN 1.0 SUBMITTAL SHEET SIZE D

**MINIMUM CLEARANCE REQUIREMENTS:**

ACTUAL CLEARANCE REQUIREMENTS ARE DEPENDENT UPON AUTHORITY HAVING JURISDICTION, AND MAY EXCEED DIMENSIONS SHOWN.



**CLEARANCE ON A SINGLE UNIT APPLICATION**



**CLEARANCE ON MULTIPLE UNIT APPLICATION**  
 PROVIDE CLEARANCES AS SHOWN TO ENSURE ADEQUATE AIRFLOW, REDUCE THE POTENTIAL FOR AIR RECIRCULATION AND FACILITATE SERVICE ACCESSIBILITY.

**NOTES:**

1. IT IS THE RESPONSIBILITY OF THE INSTALLING CONTRACTOR TO ENSURE THAT THE FINAL EQUIPMENT INSTALLATION MEETS ALL APPLICABLE CODE REQUIREMENTS.
2. ILLUSTRATION SHOWN IS FOR GENERAL REPRESENTATION ONLY. ACTUAL PRODUCT WILL VARY DEPENDENT UPON APPLICATION.
3. OVERALL DIMENSIONS: 44.1 L X 32.4 W X 32.1 H.

INFORMATION SUBJECT TO CHANGE

DIMENSIONS ARE IN INCHES. DATE DRAWN: 2017/09/14 THIRD ANGLE PROJECTION	<b>HUSSMANN®</b>	
	HIGH EFFICIENCY H SERIES SM OD HD BASE	
SHEET 3 OF 3	DOC PD-000000017	REV E

SHEET 3 OF 3