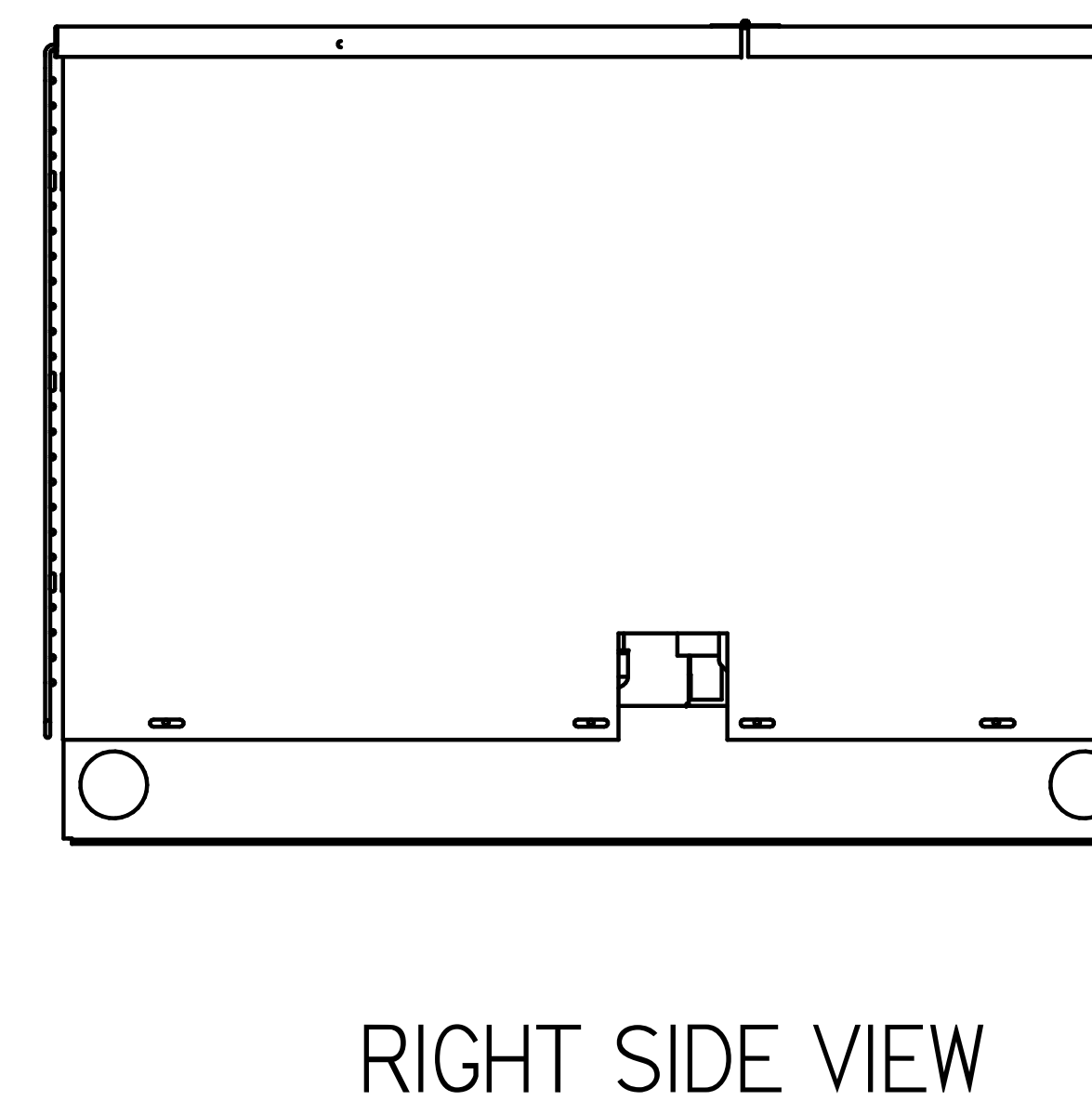
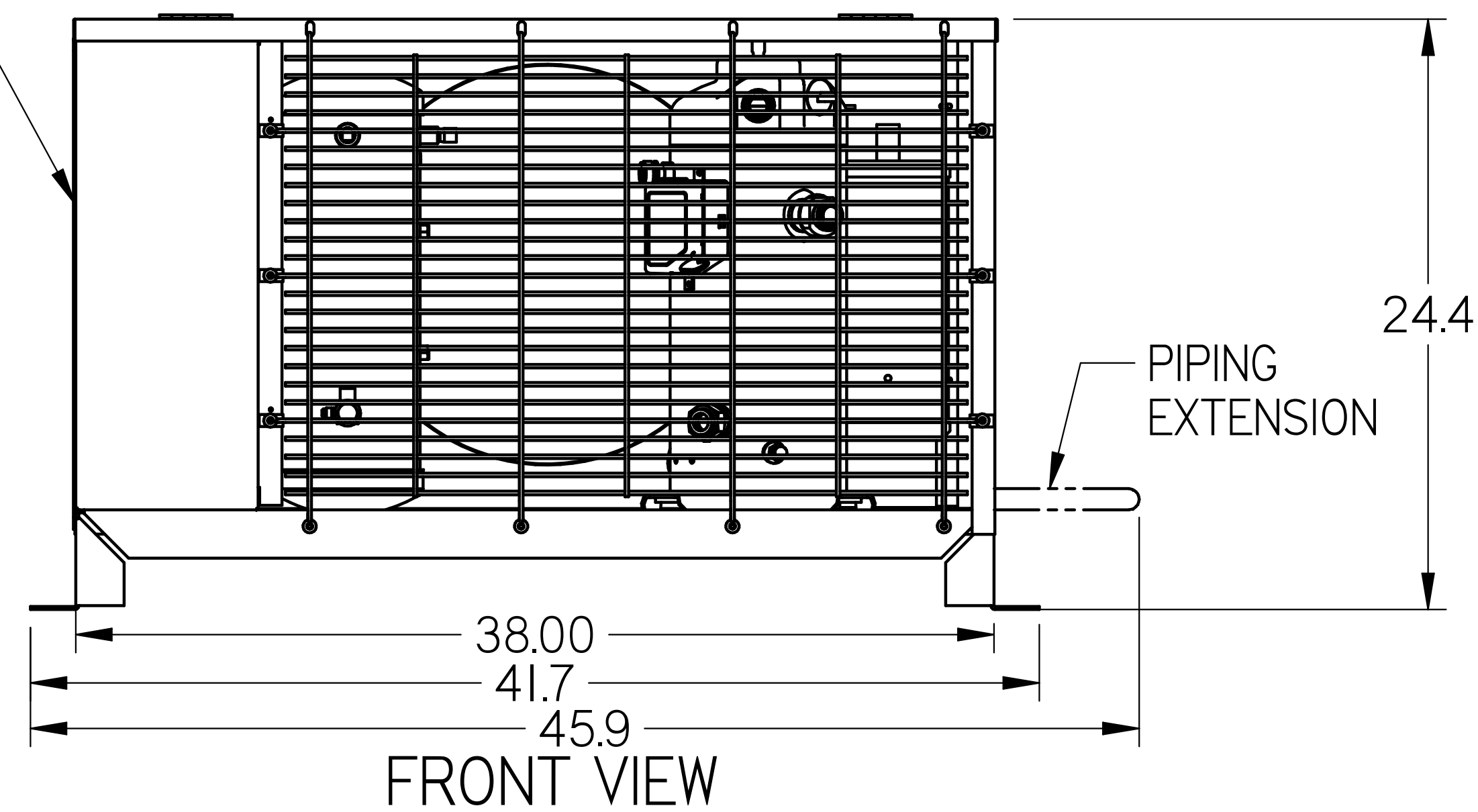
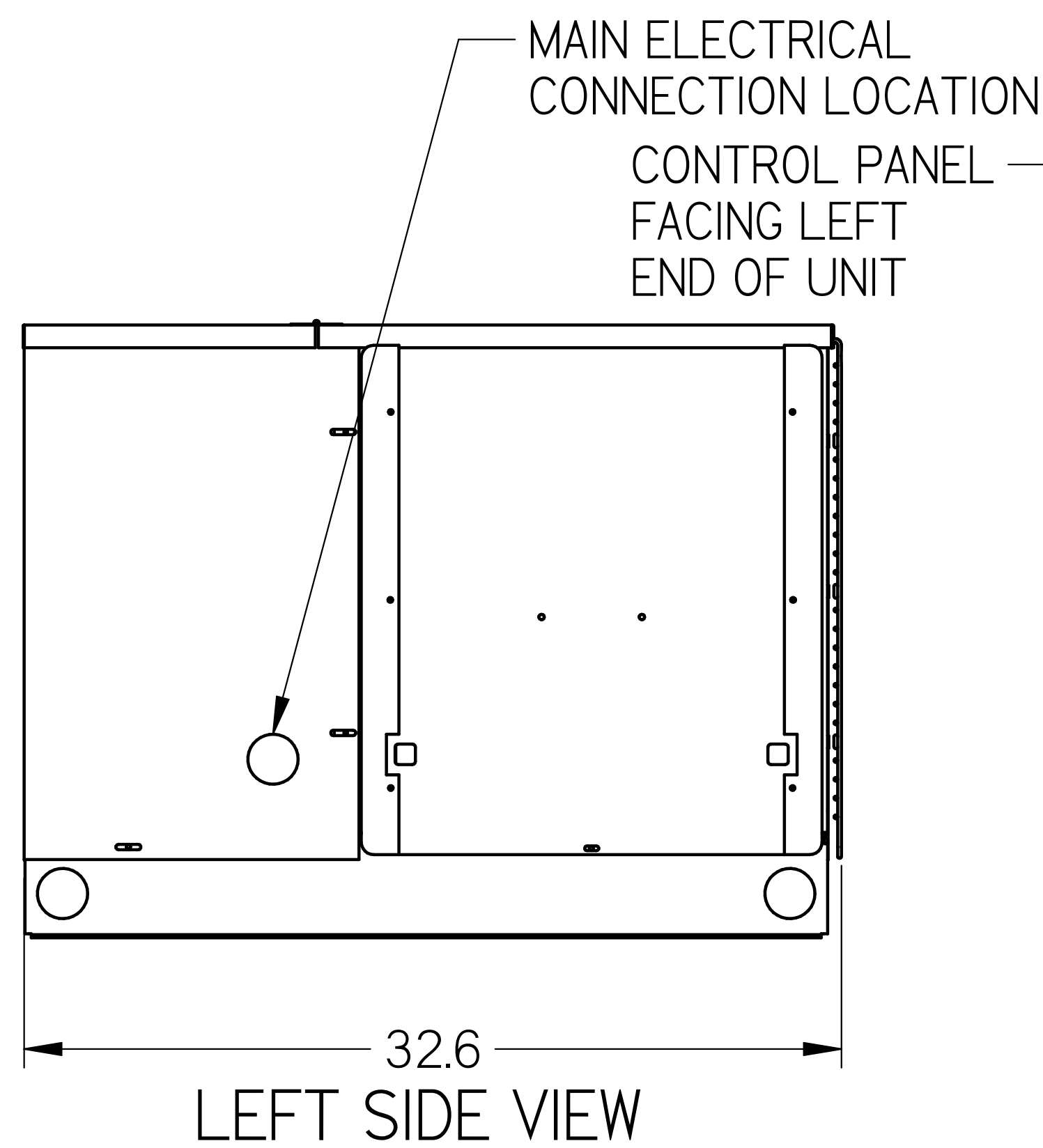
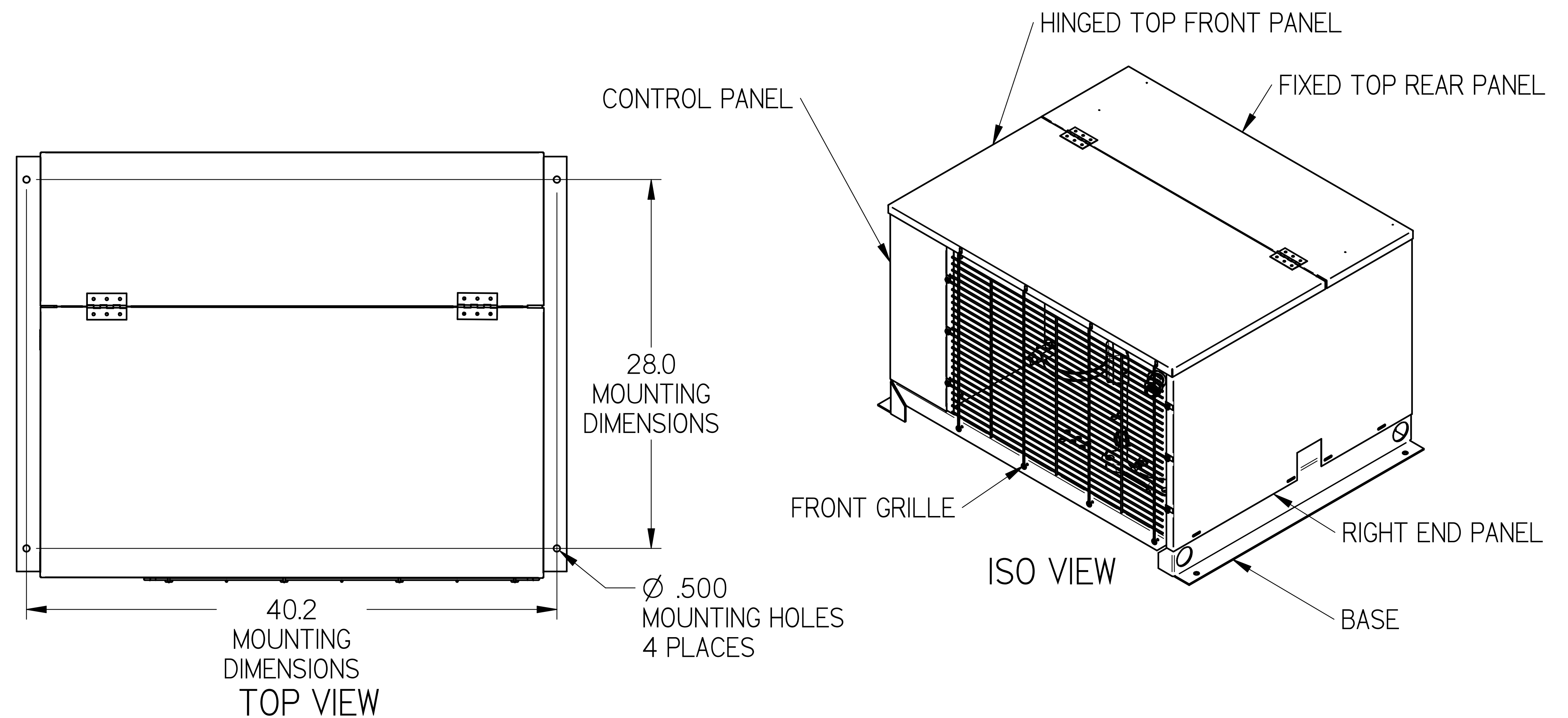


**HIGH EFFICIENCY  
H-SERIES  
SMALL SIZE  
OUTDOOR UNIT  
STANDARD BASE**  
"HxSx-xxxxxxx-xx-x"  
WEIGHT: 400 LBS.



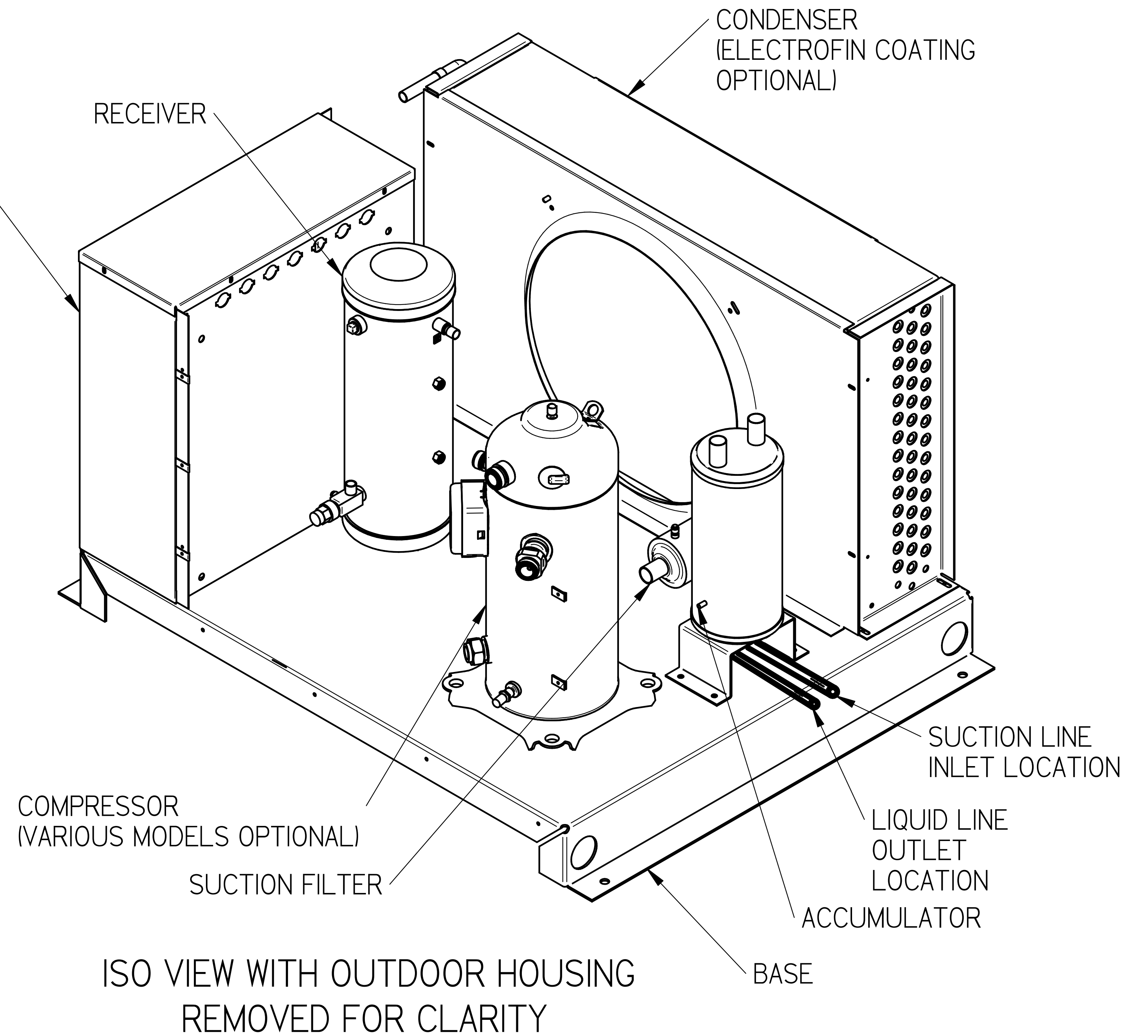
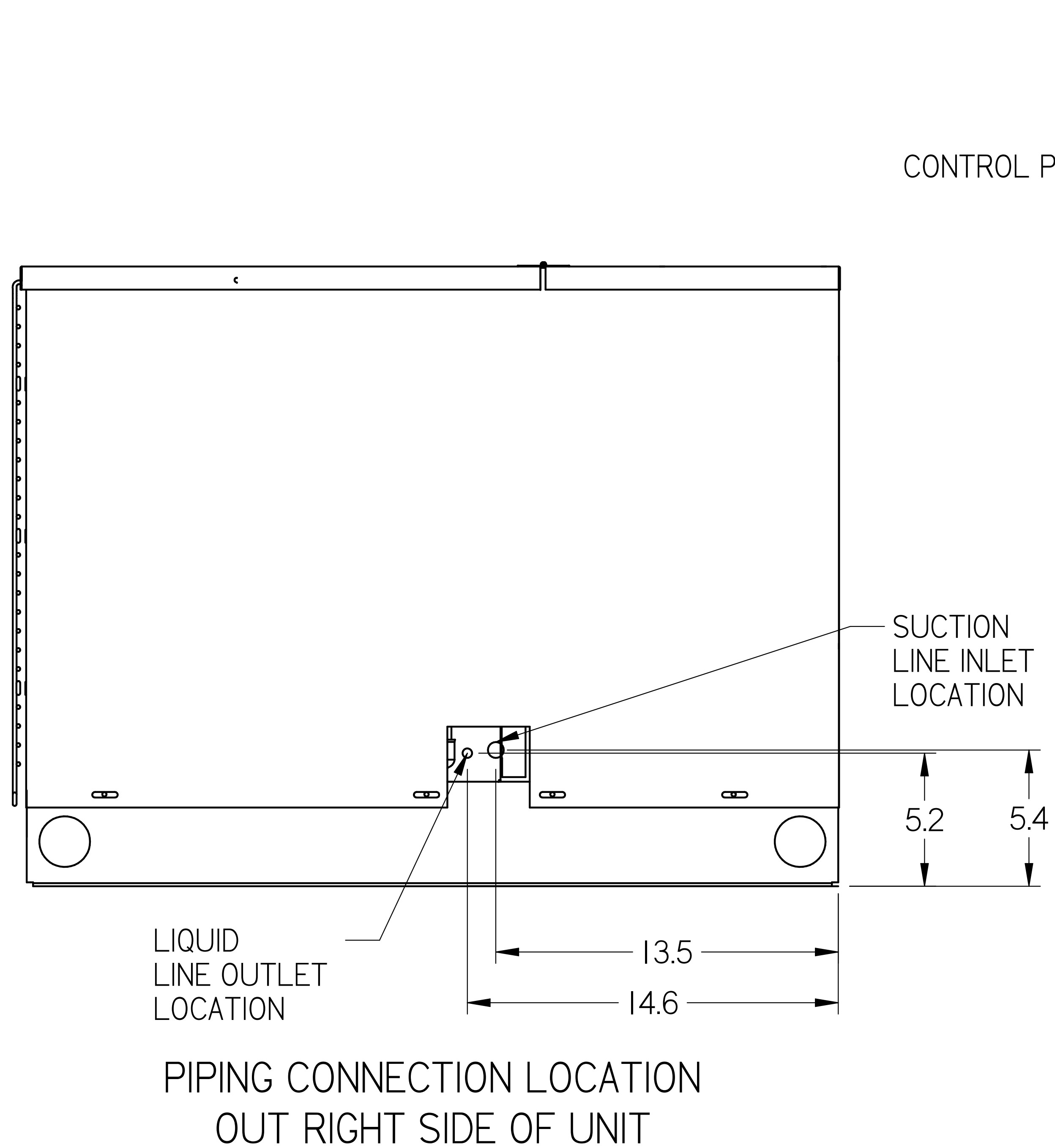
NOTES:

1. IT IS THE RESPONSIBILITY OF THE INSTALLING CONTRACTOR TO ENSURE THAT THE FINAL EQUIPMENT INSTALLATION MEETS ALL APPLICABLE CODE REQUIREMENTS.
2. ILLUSTRATION SHOWN IS FOR GENERAL REPRESENTATION ONLY. ACTUAL PRODUCT WILL VARY DEPENDENT UPON APPLICATION.
3. OVERALL DIMENSIONS: 45.9 L X 32.6 W X 24.4 H.

INFORMATION SUBJECT TO CHANGE

DIMENSIONS ARE IN INCHES. DATE DRAWN: 2017/09/14	<b>HUSSMANN</b> <sup>®</sup>
THIRD ANGLE PROJECTION	HIGH EFFICIENCY H SERIES SMALL OD STD BASE SIDE CTL PNL
SHEET 1 OF 3	DOC PD-000000013 REV E

SWN 1.0 SUBMITTAL SHEET SIZE D

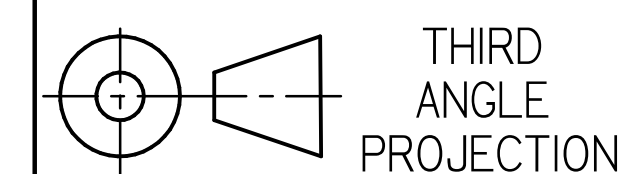


NOTES:

1. IT IS THE RESPONSIBILITY OF THE INSTALLING CONTRACTOR TO ENSURE THAT THE FINAL EQUIPMENT INSTALLATION MEETS ALL APPLICABLE CODE REQUIREMENTS.
2. ILLUSTRATION SHOWN IS FOR GENERAL REPRESENTATION ONLY. ACTUAL PRODUCT WILL VARY DEPENDENT UPON APPLICATION.
3. OVERALL DIMENSIONS: 45.9 L X 32.6 W X 24.4 H.

INFORMATION SUBJECT TO CHANGE

DIMENSIONS ARE IN INCHES.  
DATE DRAWN: 2017/09/14



SHEET 2 OF 3

**HUSSMANN**<sup>®</sup>

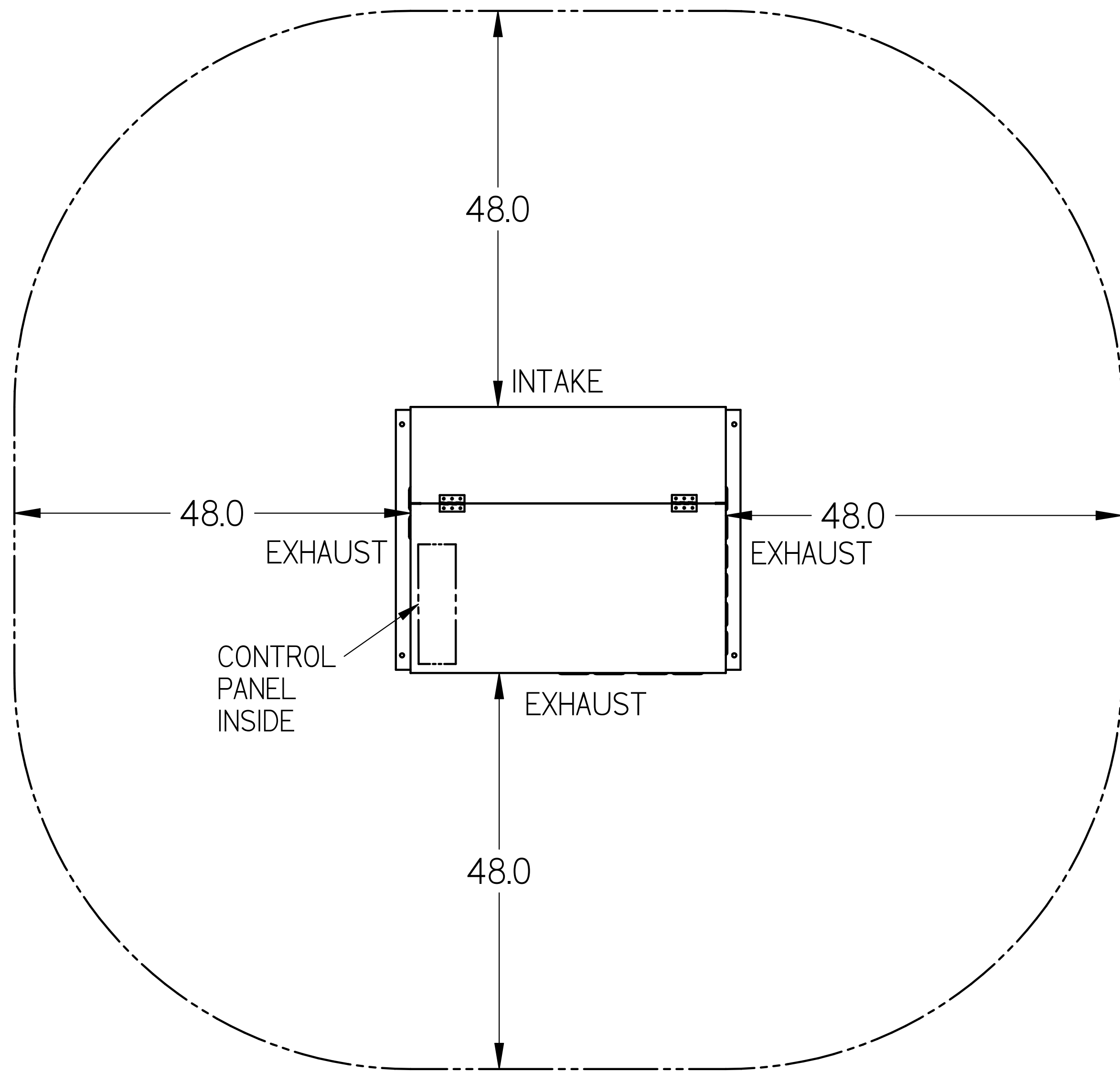
HIGH EFFICIENCY H  
SERIES SMALL OD STD  
BASE SIDE CTL PNL

DOC PD-000000013 REV E

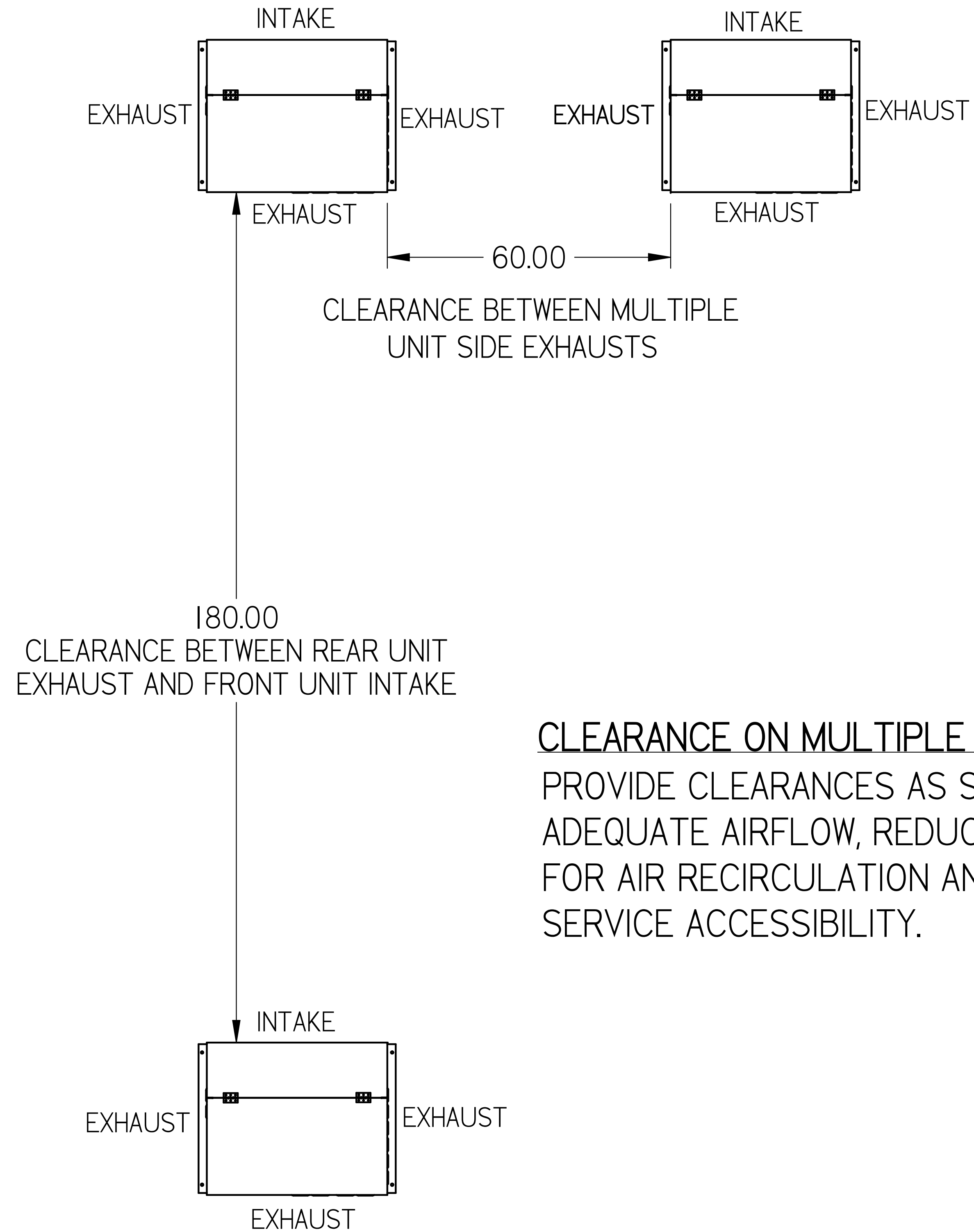
SHEET 2 OF 3

**MINIMUM CLEARANCE REQUIREMENTS:**

ACTUAL CLEARANCE REQUIREMENTS ARE DEPENDENT UPON AUTHORITY HAVING JURISDICTION, AND MAY EXCEED DIMENSIONS SHOWN.



**CLEARANCE ON A SINGLE UNIT APPLICATION**



**CLEARANCE ON MULTIPLE UNIT APPLICATION**  
 PROVIDE CLEARANCES AS SHOWN TO ENSURE ADEQUATE AIRFLOW, REDUCE THE POTENTIAL FOR AIR RECIRCULATION AND FACILITATE SERVICE ACCESSIBILITY.

**NOTES:**

1. IT IS THE RESPONSIBILITY OF THE INSTALLING CONTRACTOR TO ENSURE THAT THE FINAL EQUIPMENT INSTALLATION MEETS ALL APPLICABLE CODE REQUIREMENTS.
2. ILLUSTRATION SHOWN IS FOR GENERAL REPRESENTATION ONLY. ACTUAL PRODUCT WILL VARY DEPENDENT UPON APPLICATION.
3. OVERALL DIMENSIONS: 45.9 L X 32.6 W X 24.4 H.

INFORMATION SUBJECT TO CHANGE

DIMENSIONS ARE IN INCHES. DATE DRAWN: 2017/09/14	<b>HUSSMANN®</b>	
	HIGH EFFICIENCY H SERIES SMALL OD STD BASE SIDE CTL PNL	
THIRD ANGLE PROJECTION	SHEET 3 OF 3	DOC PD-000000013 REV E

SWN 1.0 SUBMITTAL SHEET SIZE D