

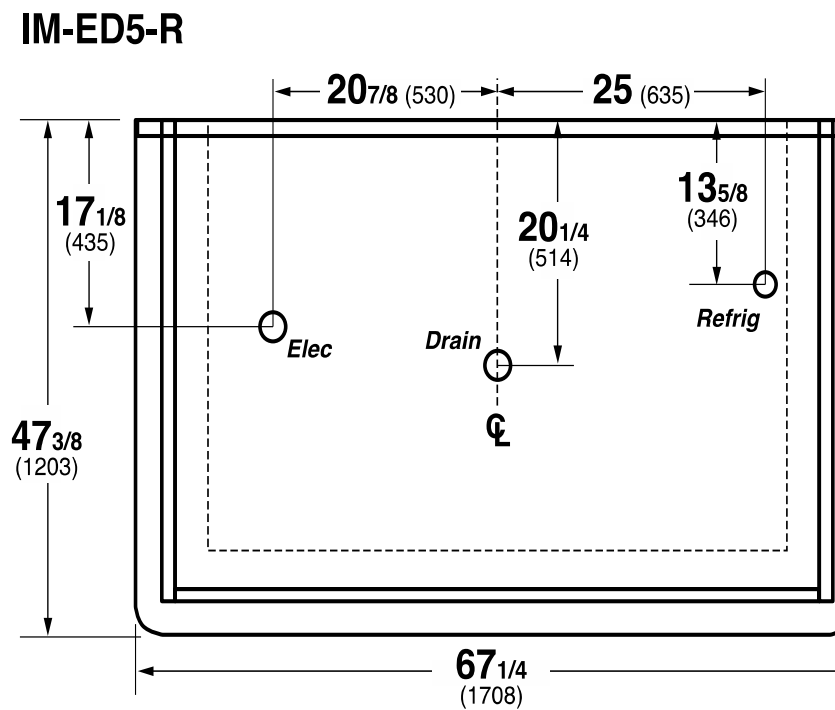
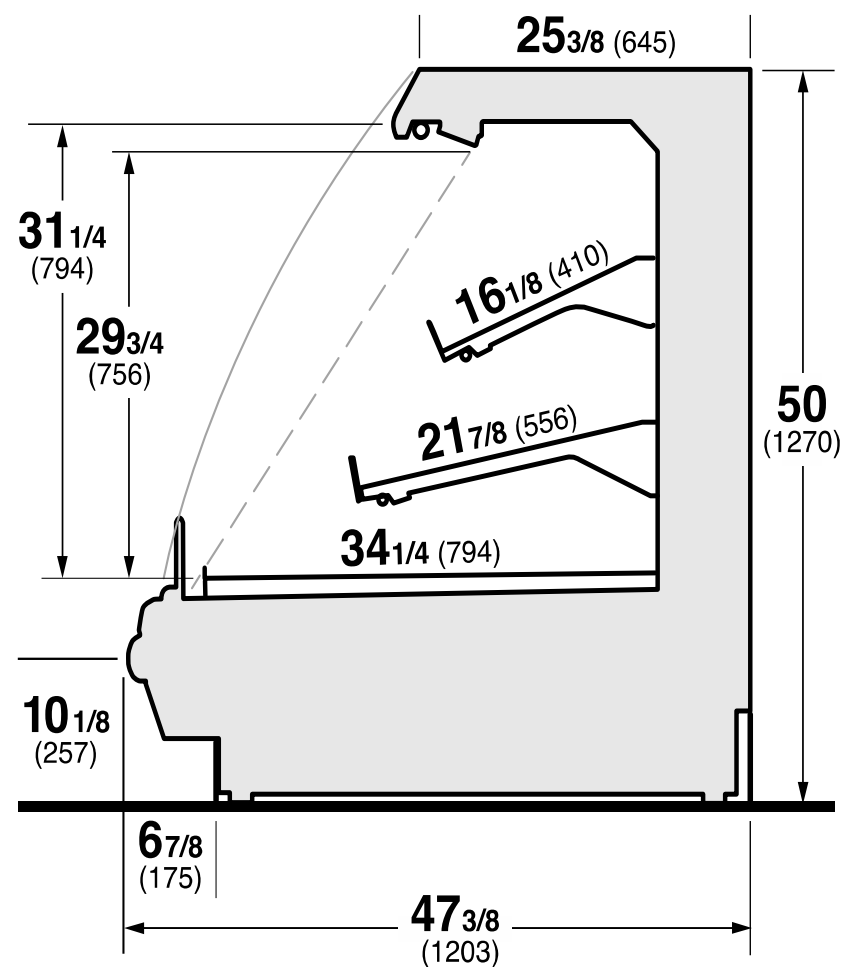


MEDIUM TEMP MULTI-DECK EXTRA DEEP ISLAND
Isla - IM-04-(ED)(XX)-R CASE MODULES [ISLA](CHINO)



Hussmann refrigerated merchandisers configured for sale for use in the United States meet or surpass the requirements of the DOE 2012 energy efficiency standards.

IM-04-ED5-R
Deeper base, Extended Canopy



REFRIGERATION DATA:

MODULE LENGTH	CASE USAGE	CAPACITY *** (BTU/HR/TOTAL)		TEMPERATURE (°F)								VELOCITY (FT/MIN)	EST. REFRG. CHR.G. (LBS)			GLYCOL REQUIREMENTS (GPM, PSI)	EE FAN DEDUCT (BTU/HR/FT)	PAR- PARALLEL CONV- CONVENTIONAL N/A - NOT AVAILABLE TBD - TO BE DETERMINED	
				EVAPORATOR		UNIT SIZING*		DISCHARGE AIR (T5 LIGHTS DELI, LED'S MEAT)					PAR	CONV	GPM				PSI
				UNLIGHTED	L.E.D. LIGHTED	UNLIGHTED	L.E.D. LIGHTED	PAR	CONV	PAR	CONV								
3'	SS DELI	2850	3278	26	25	24	24	32	32	300-350	1.4	1.0	1.6	N/A					
4'	SS DELI	3800	4370	26	25	24	24	32	32	300-350	1.9	1.3	2.8	N/A					
5'	SS DELI	4750	5463	26	25	24	24	32	32	300-350	2.3	1.7	4.4	N/A					
6'	SS DELI	5700	6555	26	25	24	24	32	32	300-350	2.8	2.0	2.1	N/A					
8'	SS DELI	7600	8740	26	25	24	24	32	32	300-350	3.7	2.7	3.6	N/A					
10'	SS DELI	9500	10925	26	25	24	24	32	32	300-350	4.6	3.4	5.4	N/A					
12'	SS DELI	11400	13110	26	25	24	24	32	32	300-350	5.6	4.0	4.4	N/A					

*2° F less than evaporator for pressure loss in refrigerant lines

LEGEND

PAR- PARALLEL
CONV- CONVENTIONAL
N/A - NOT AVAILABLE
TBD - TO BE DETERMINED
MODULE NOMENCLATURE KEY:
IM = ISLA MODULE
04 = 50" HIGH
ED = EXTRA DEEP
(XX) = (MODULE LENGTH IN FEET)
R = REFRIGERATED SELF SERVICE MULTIDECK
EXAMPLE: IM-04-ED5-R = ISLA MODULE, 50" HIGH, END 5' WIDE, EXTRA DEEP, REFRIGERATED SELF SERVICE MULTIDECK

REFRIGERATION DATA CONTINUED:

ELEC. THERMOSTAT / AIR SENSOR SETTINGS			EPR SETTINGS		
USAGE	CUT IN (°F)	CUT OUT (°F)	R22 (PSIG)	R404A (PSIG)	R407A (PSIG)
SS DELI	34.0	30.0	50.0	64.8	50.1

***** REFRIGERATION NOTES:**

- 1) TEST CONDITIONS: 75°F/55% RH
- 2) SUBJECT TO CHANGE BASED ON DESIGN CHANGES
- 3) ADD 10 BTU'S PER FOOT/PER SHELF OR CANOPY FOR OPTIONAL LED LIGHTS

ELECTRICAL DATA:

STANDARD FANS AND HEATERS (120 VOLT)

LIGHTING: 120V INPUT VOLTAGE

MODULE LENGTH	# EVAP. FANS	TOTAL EE FANS		L.E.D. CANOPY LIGHTS		# ROWS	L.E.D. SHELF LIGHTS		L.E.D. TOTAL LIGHTS WITH 3 ROWS	
		AMPS	WATTS	AMPS	WATTS		AMPS	WATTS	AMPS	WATTS
3'	1	0.30	18.0	0.06	6.6	3	0.18	19.8	0.24	26.4
4'	1	0.30	18.0	0.08	8.8	3	0.23	26.4	0.33	35.2
5'	1	0.30	18.0	0.10	11.1	3	0.30	33.3	0.41	44.4
6'	2	0.60	36.0	0.12	13.2	3	0.36	39.6	0.49	52.8
8'	2	0.60	36.0	0.16	17.6	3	0.49	52.8	0.65	70.4
10'	2	0.60	36.0	0.20	22.2	3	0.62	66.6	0.82	88.8
12'	3	0.90	54.0	0.23	26.4	3	0.73	79.2	0.98	105.6

ELECTRICAL DATA CONTINUED:

MODULE LENGTH	CONDENSING UNIT 208V 1 PHASE		CONVENIENCE OUTLETS		
	AMPS	WATTS	#OUTLETS	VOLTS	AMPS
3'	N/A	N/A	N/A	N/A	N/A
4'	N/A	N/A	N/A	N/A	N/A
5'	N/A	N/A	N/A	N/A	N/A
6'	N/A	N/A	N/A	N/A	N/A
8'	N/A	N/A	N/A	N/A	N/A
10'	N/A	N/A	N/A	N/A	N/A
12'	N/A	N/A	N/A	N/A	N/A

DEFROST DATA:

MODULE LENGTH	DEFROST TYPE	TIME (MIN.)	TERM. TEMP (°F) COIL	DEFROST PER DAY	DEFROST WATER (LB/DAY)
3'	OFF TIME	20	48	6	24
4'	OFF TIME	20	48	6	32
5'	OFF TIME	20	48	6	40
6'	OFF TIME	20	48	6	48
8'	OFF TIME	20	48	6	64
10'	OFF TIME	20	48	6	80
12'	OFF TIME	20	48	6	96

OPTIONS/NOTES:

- Single point mechanical connections
- TX valves
- Liquid Hand Valves
- Standard Shelves: Upper Shelf 12"; Bottom Shelf 16"

- Standard 50" height
- Black bumper and black interior
- PTM