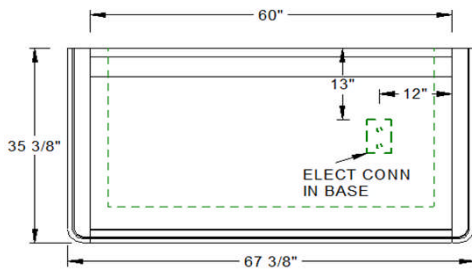
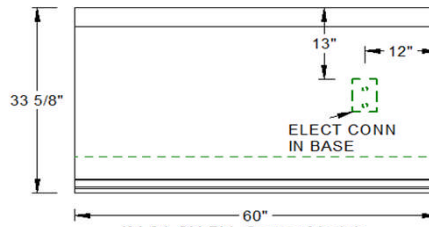




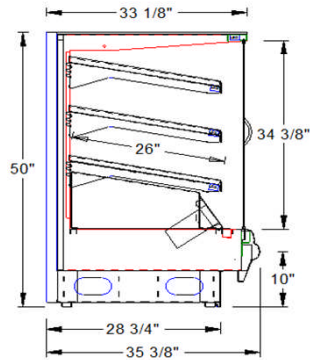
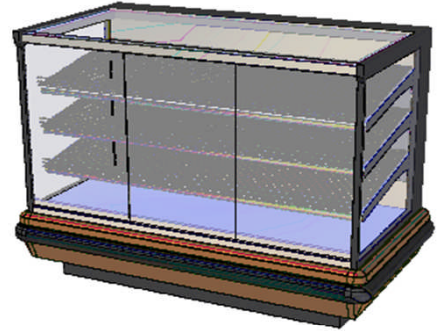
Hussmann refrigerated merchandisers configured for sale for use in the United States meet or surpass the requirements of the DOE 2012 energy efficiency standards.



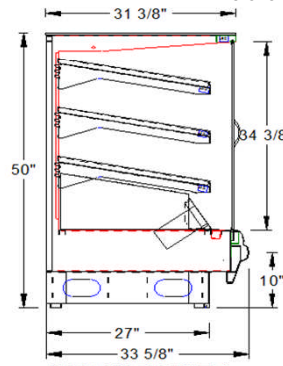
**IM-04-E5-BV 5' End Module**



**IM-04-CX-BV Center Module**



**IM-04-XX-BV 50" Tall End Module**  
 Standard ISLA Front



**IM-04-XX-BV 50" Tall Center Module**  
 Standard ISLA Front

**ELECTRICAL DATA:**

CASE LENGTH	FANS AND HEATERS (120 VOLT)					LIGHTING: LED WITH ELECTRONIC BALLASTS 120V INPUT VOLTAGE														
	# OF FANS PER CASE	** TOTAL EVAPORATOR + AIR SWEEP FANS		T5 CANOPY LIGHTS (1 ROW)		LED CANOPY LIGHTS (OPTIONAL)		T5 SHELF LIGHTS (OPTIONAL)			LED SHELF LIGHTS 3-ROWS (OPTIONAL)		TOTAL T-5 LIGHTS		TOTAL LED LIGHTS		ANTI-SWEAT HEATERS (On Fan Circuit)		LEDGE LIGHTS (OPTIONAL)	
		AMPS	WATTS	AMPS	WATTS	AMPS	WATTS	# SHLVS	AMPS	WATTS	AMPS	WATTS	AMPS	WATTS	AMPS	WATTS	AMPS	WATTS	AMPS	WATTS
END	NA	N/A	N/A	N/A	N/A	0.14	15	N/A	N/A	N/A	0.42	45	N/A	N/A	0.56	60	N/A	N/A	N/A	N/A
3'	NA	N/A	N/A	N/A	N/A	0.08	9	N/A	N/A	N/A	0.17	18	N/A	N/A	0.25	27	N/A	N/A	N/A	N/A
4'	NA	N/A	N/A	N/A	N/A	0.11	12	N/A	N/A	N/A	0.25	27	N/A	N/A	0.36	39	N/A	N/A	N/A	N/A
5'	NA	N/A	N/A	N/A	N/A	0.14	15	N/A	N/A	N/A	0.33	36	N/A	N/A	0.47	51	N/A	N/A	N/A	N/A
6'	NA	N/A	N/A	N/A	N/A	0.17	18	N/A	N/A	N/A	0.42	45	N/A	N/A	0.58	63	N/A	N/A	N/A	N/A
8'	NA	N/A	N/A	N/A	N/A	0.22	24	N/A	N/A	N/A	0.67	72	N/A	N/A	0.89	96	N/A	N/A	N/A	N/A

**ELECTRICAL DATA CONTINUED:**

CASE LENGTH	CONDENSING UNIT VOLTS / PHASE		DRAIN EVAP PAN 240V 1 PHASE		CONVENIENCE OUTLETS (Optional)		
	208/1	240/1	AMPS	WATTS	# OUTLETS	VOLTS	AMPS
	AMPS	AMPS	AMPS	WATTS			
5' END	N/A	N/A	N/A	N/A	N/A	N/A	N/A
3'	N/A	N/A	N/A	N/A	N/A	N/A	N/A
4'	N/A	N/A	N/A	N/A	N/A	N/A	N/A
5'	N/A	N/A	N/A	N/A	N/A	N/A	N/A
6'	N/A	N/A	N/A	N/A	N/A	N/A	N/A
8'	N/A	N/A	N/A	N/A	N/A	N/A	N/A

**OPTIONS/NOTES:**