



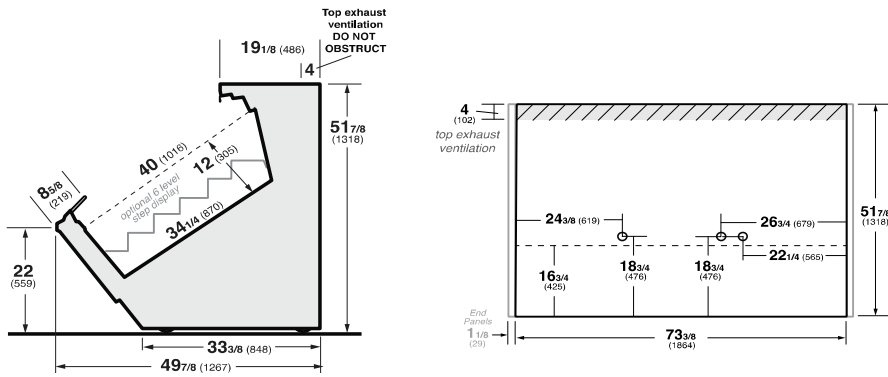
SELF-SERVICE PRODUCE
HUSSMANN - MPC-ETN-S SELF-CONTAINED(CHINO)

REVISION DATE

10/09/19



Hussmann refrigerated merchandisers configured for sale for use in the United States meet or surpass the requirements of the DOE 2017 energy efficiency standards.



REFRIGERATION DATA:

CASE LENGTHS	CASE USAGE*	CONVENTIONAL CAPACITY ** (BTU/HR/FT)	DISCHARGE AIR * (°F)	VELOCITY (FT/MIN)
6'	SS PRODUCE	980	31~33	275~325

*APPROVED FOR NON-CRITICAL TEMP PRODUCE ONLY
 *FRONT DISCHARGE AIR MEASURED INSIDE AIR CURTAIN HONEYCOMB
 **REFRIGERATION NOTES:

- 1) CAPACITY FOR REFERENCE ONLY
- 2) USE DEW POINT FOR HIGH GLIDE REFRIGERANTS. CARE SHOULD BE TAKEN TO USE THE DEW POINT IN P/T TABLES FOR MEASURING AND ADJUSTING SUPERHEAT.
- 3) RATING CONDITION IS NSF TYPE I, 75°F/55% RH

REFRIGERATION DATA CONTINUED:

CONTROLLER / AIR SENSOR SETTINGS				DEFROST TYPE	FAILSAFE TIME (MIN)	DEFROST FREQUENCY (#/DAY)	TERM. TEMP (°F) AIR	DRIP TIME (MIN)	DEFROST WATER (LBS/DAY/FT)
USAGE	SET POINT (°F)	DIFFERENTIAL (°F)							
SELF-CONTAINED	MEAT	20	4	OFF TIME	30	6	50	NA	3.8
	DELI	25	4						
	PRODUCE	30	4						

END PANEL WIDTH KEY		
# OF END PNLS	END PNL WIDTH (IN.)	TOTAL ADDED LENGTH (IN.)
1	1.125	1.125
2	1.125	2.25

4) DEFROST IS BASED ON TERMINATION TEMP, WHICH UNDER NORMAL CIRCUMSTANCES, IS SHORTER THAN FAILSAFE TIME.

ELECTRICAL DATA:

STANDARD FANS, HEATERS, LED LIGHTS (115 VOLT)

CASE LENGTH	EVAPORATOR FANS					OPTIONAL CANOPY LIGHTS LED		CONVENIENCE OUTLETS (OPTIONAL)		
	# OF EVAP FANS	BLADE DIA. (IN.)	BLADE PITCH (°)	AMPS	WATTS	AMPS	WATTS	# OUTLETS	VOLTS	AMPS
6'	4	6.7	15	0.5	32	0.1	15	N/A	N/A	N/A

CONDENSING UNIT AND EVAPORATIVE PANS

CASE LENGTH	CONDENSING UNIT					EVAPORATIVE PAN			EST. REFG. CHR.G. (OZ)	NEMA PLUG
	NOM. HP	REFRIG.	Hz/Ph	Volts	RLA	VOLTS	AMPS	WATTS		
6'	3/4	R-404A	60 / 1	208/230	6.8	240	6.3	1500	55	L14-30P
		R-404A	60 / 1	115	15.0	120	12.5	1500		
6'	3/4	R-448A	60/1	115	15.0	120	12.5	1500	55	L5-30P

OPTIONAL HIGH OUTPUT LED LIGHTS (115 VOLT)

CASE LENGTH	CANOPY LIGHTS H.O. LED OPTIONAL		OPTIONAL NOSE H.O. LED		MAX. H.O. LED LOAD	
	AMPS	WATTS	AMPS	WATTS	AMPS	WATTS
6'	N/A	N/A	N/A	N/A	N/A	N/A