



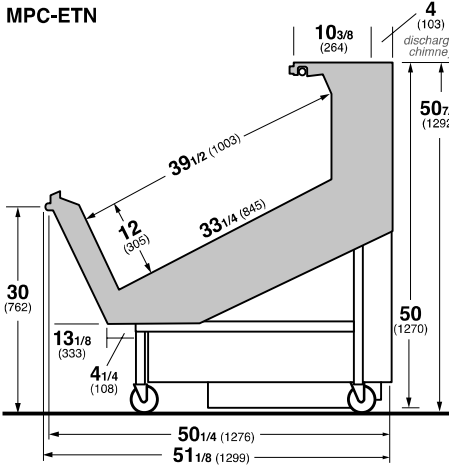
**SELF-SERVICE PRODUCE EURO TABLE NARROW**  
**HUSSMANN - MPC-ETN REMOTE/SELF-CONTAINED(CHINO)**

REVISION DATE 02/22/18

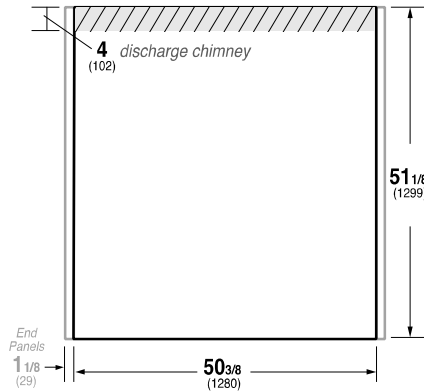


Hussmann refrigerated merchandisers configured for sale for use in the United States meet or surpass the requirements of the DOE 2017 energy efficiency standards.

**MPC-ETN**



**MPC-ETN**



**REFRIGERATION DATA:**

CASE LENGTHS	CASE USAGE*	CONVENTIONAL CAPACITY ** (BTU/HR/FT)	DISCHARGE AIR * (°F)	VELOCITY (FT/MIN)
4',8'	SS PRODUCE	980	31~33	275~325

\*APPROVED FOR NON-CRITICAL TEMP PRODUCE ONLY

\*FRONT DISCHARGE AIR MEASURED INSIDE AIR CURTAIN HONEYCOMB

\*\*REFRIGERATION NOTES:

- 1) CAPACITY FOR REFERENCE ONLY
- 2) USE DEW POINT FOR HIGH GLIDE REFRIGERANTS. CARE SHOULD BE TAKEN TO USE THE DEW POINT IN P/T TABLES FOR MEASURING AND ADJUSTING SUPERHEAT.
- 3) RATING CONDITION IS NSF TYPE I, 75°F/55% RH

**REFRIGERATION DATA CONTINUED:**

CONTROLLER / AIR SENSOR SETTINGS					DEFROST TYPE	FAILSAFE TIME (MIN)	DEFROST FREQUENCY (#/DAY)	TERM. TEMP (°F) AIR	DRIP TIME (MIN)	DEFROST WATER (LBS/DAY/FT)
USAGE	CUT IN (°F)	CUT OUT (°F)	SET POINT (°F)	DIFFERENTIAL (°F)						
REMOTE	32	28	-	-	OFF TIME	30	6	50	NA	3.8
SELF-CONTAINED	-	-	20	4						

END PANEL WIDTH KEY		
# OF END PNLS	END PNL WIDTH (IN.)	TOTAL ADDED LENGTH (IN.)
1	1.125	1.125
2	1.125	2.25

4) DEFROST IS BASED ON TERMINATION TEMP, WHICH UNDER NORMAL CIRCUMSTANCES, IS SHORTER THAN FAILSAFE TIME.

**ELECTRICAL DATA:**

**STANDARD FANS, HEATERS, LED LIGHTS (115 VOLT)**

CASE LENGTH	EVAPORATOR FANS					OPTIONAL CANOPY LIGHTS LED		OPTIONAL LED NOSE LIGHTS		MAX. LED LOAD (W/ ALL OPTIONS)		ANTI-SWEAT HEATERS		CONVENIENCE OUTLETS (OPTIONAL)		
	# OF EVAP FANS	BLADE DIA. (IN.)	BLADE PITCH (°)	AMPS	WATTS	AMPS	WATTS	AMPS	WATTS	AMPS	WATTS	AMPS	WATTS	# OUTLETS	VOLTS	AMPS
4'	2	6.7	20	0.2	16	0.1	10	0.1	10	0.2	21	0.2	23	N/A	N/A	N/A
8'	4	6.7	20	0.5	32	0.2	21	0.2	21	0.4	41	0.4	46	N/A	N/A	N/A

**CONDENSING UNIT AND EVAPORATIVE PANS**

CASE LENGTH	CONDENSING UNIT							EVAPORATIVE PAN			EST. REFG. CHR.G. 404A (LBS)
	NOM. HP	REFRIG.	Hz/Ph	Volts	RLA	FUSE AMPS	NEMA PLUG	VOLTS	AMPS	WATTS	
4'	1/2	R-404A	60 / 1	240	9.2	20	L14-20P	240	4.8	1000	2.7
8'	TBD	TBD	TBD	TBD	TBD	25	TBD	TBD	TBD	TBD	TBD

**OPTIONAL HIGH OUTPUT LED LIGHTS (115 VOLT)**

CASE LENGTH	CANOPY LIGHTS H.O. LED OPTIONAL		OPTIONAL NOSE H.O. LED		MAX. H.O. LED LOAD	
	AMPS	WATTS	AMPS	WATTS	AMPS	WATTS
4'	0.1	15	0.2	26	0.4	41
8'	0.3	30	0.4	51	0.7	81