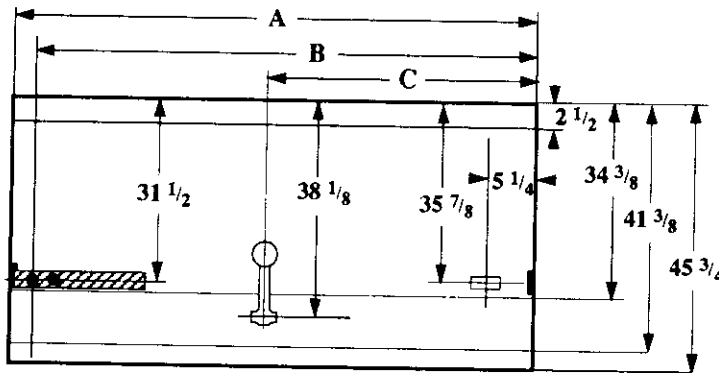
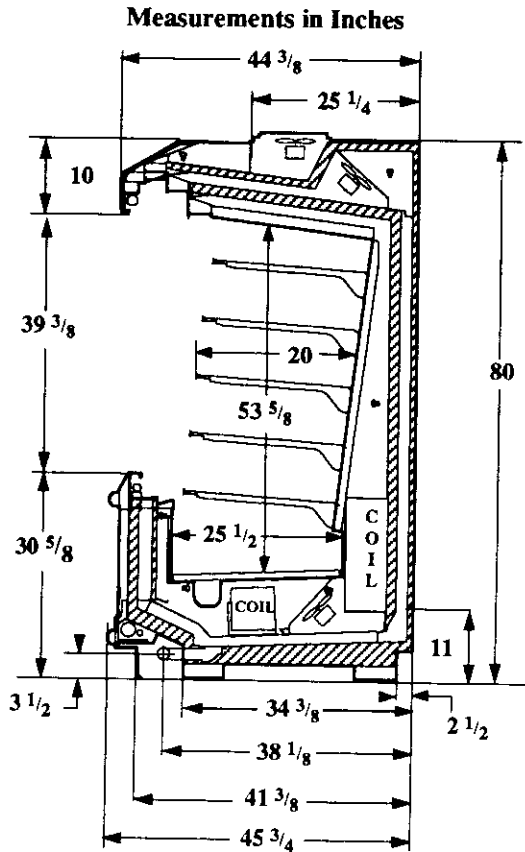


Multideck, 6 Display Levels

**Vision NC6H**  
Ice Cream



|                      | Dimension | 8' Case | 12' Case |
|----------------------|-----------|---------|----------|
| Electrical Service   | A         | 96 3/8  | 144 1/2  |
| Waste Outlet         | B         | 92 1/8  | 140 1/4  |
| Refrigeration Outlet | C         | 48 1/8  | 72 1/4   |
| Passageway Port      |           |         |          |

**Refrigeration Data**

|                    |      |
|--------------------|------|
| Discharge Air °F   | -20  |
| Evaporator °F      | -30  |
| Unit Sizing °F     | -33  |
| <i>BTU/HR/FOOT</i> |      |
| Parallel           | 1860 |
| Satellite          | 1940 |
| Conventional       | 2140 |

**Defrost Data**

|                    |    |
|--------------------|----|
| Frequency Hrs      | 6  |
| <i>ELECTRIC</i>    |    |
| Temp Term °F       | 54 |
| Failsafe Min       | 36 |
| <i>REVERSE AIR</i> |    |
| Temp Term °F       | NA |
| Failsafe Min       |    |
| <i>GAS</i>         |    |
| Duration Min       | 22 |
| <i>OFFTIME</i>     |    |
| Duration Min       | NA |

**Conventional Controls**

|  |           |
|--|-----------|
| Low Pressure Backup Control                                |           |
| CI/CO (PSIG)   |           |
| R-22 7/0   | R-502 7/0 |
| Indoor Condenser only, Pressure Defrost Termination (PSIG) |           |
| R-22 NA  | R-502 NA  |

**Physical Data**

|                             |            |             |
|-----------------------------|------------|-------------|
| Merchandise                 |            |             |
| Drip Pipe (ins)             | 1 1/4      |             |
| Liquid Line (ins)           | 3/8        |             |
| Suction Line (ins)          | 1 1/8      |             |
| Evaporator Estimated Charge |            |             |
| Length                      | R-22 (lbs) | R-502 (lbs) |
| 8                           | 18         | 24          |
| 12                          | 27         | 37          |

**Length Added to Lineup by Ends and Partitions**

|                 |       |
|-----------------|-------|
| Each End (ins)  | 1 1/2 |
| Each Insulated  |       |
| Partition (ins) | 1 1/2 |

|  |
|--|
| <b>Vision NC6H</b><br><b>Ice Cream</b> |
|--|

**Electrical Data**
**Merchandiser**

|                              | 8Ft | 12Ft |
|------------------------------|-----|------|
| Number of Fans - Evaporator  | 4   | 6    |
| Ambient Air Curtain          | 2   | 3    |
| Non-refrigerated Air Curtain | 3   | 4    |

| Merchandiser                           | Amperes |       | Watts |        |
|--|---------|-------|-------|--------|
|  | 8Ft     | 12Ft  | 8Ft   | 12Ft   |
| Fans                                   |         |       |       |        |
| Standard                               | 5.80    | 8.40  | 400   | 580    |
| Standard with Reverse Air              | 4.24    | 6.16  | 320   | 460    |
| Energy Efficient                       | 2.04    | 2.96  | 208   | 302    |
| Energy Efficient with Reverse Air      | 2.30    | 3.36  | 220   | 320    |
| Constant on Anti-sweat Heaters         | 6.69    | 9.45  | 803   | 1134   |
| Cycling Anti-sweat Heaters             | 2.34    | 3.58  | 281   | 430    |
| Min. Circuit Ampacity                  |         |       |       |        |
| Standard Fans                          | 12.69   | 18.05 |       |        |
| Standard Fans with Reverse Air         | 11.13   | 15.81 |       |        |
| Energy Efficient Fans                  | 8.93    | 12.61 |       |        |
| Energy Efficient Fans with Reverse Air | 9.19    | 13.01 |       |        |
| Max. Over Current Protection           | 20      | 20    |       |        |
| Supplemental Gas Heaters               | 7.23    | 9.45  | 868   | 1134   |
| 208V 3Φ Electric Defrost               | 24.7    | 37.3  | 8611  | 13,023 |
| 208V 1Φ Supplemental Rev. Air          | NA      |       |       |        |
| <b>Standard Lighting*</b>              |         |       |       |        |
| 1 Row Canopy                           |         |       |       |        |
| 1 Row Interior Ledge                   |         |       |       |        |
| Advance                                | 2.15    | 3.80  | 257   | 440    |
| Magnatec/Universal                     | 2.10    | 3.60  | 257   | 514    |
| Valmont(GE)                            | —       | 4.20  | —     | 430    |

Revised 12-15-93