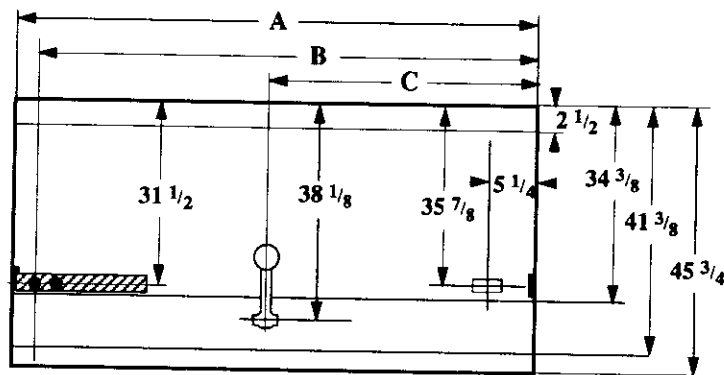
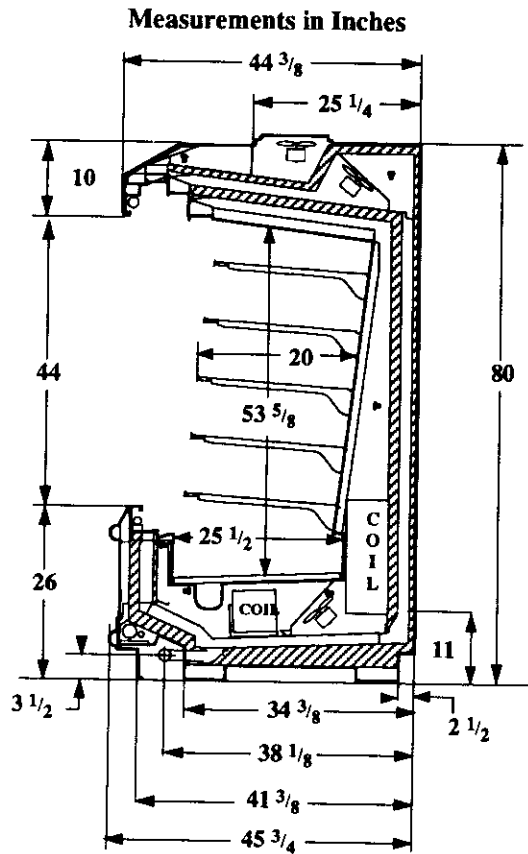


**Vision NC6**  
Ice Cream



	Dimension	8' Case	12' Case
Electrical Service	A	96 3/8	144 1/2
Waste Outlet	B	92 1/8	140 1/4
Refrigeration Outlet	C	48 1/8	72 1/4
Passageway Port			

**Refrigeration Data**

Discharge Air °F	-20
Evaporator °F	-30
Unit Sizing °F	-33
<i>BTU/HR/FOOT</i>	
Parallel	1960
Satellite	2045
Conventional	2255

**Defrost Data**

Frequency Hrs	6
<i>ELECTRIC</i>	
Temp Term °F	54
Failsafe Min	36
<i>REVERSE AIR</i>	
Temp Term °F	NA
Failsafe Min	
<i>GAS</i>	
Duration Min	22
<i>OFFTIME</i>	
Duration Min	NA

**Conventional Controls**

<b>Low Pressure Backup Control</b>	
<b>C/CO (PSIG)</b>	
R-22 7/0	R-502 7/0
<b>Indoor Condenser only, Pressure</b>	
<b>Defrost Termination (PSIG)</b>	
R-22 NA	R-502 NA

**Physical Data**

<b>Merchandiser</b>	
Drip Pipe (ins)	1 1/4
Liquid Line (ins)	3/8
Suction Line (ins)	1 1/8

<b>Evaporator Estimated Charge</b>		
Length	R-22	R-502
	(lbs)	(lbs)
8	18	24
12	27	37

**Length Added to Lineup by Ends and Partitions**

Each End (ins)	1 1/2
Each Insulated Partition (ins)	1 1/2

<b>Vision NC6</b> <b>Ice Cream</b>
---------------------------------------

**Electrical Data**

<b>Merchandiser</b>	<b>8Ft</b>	<b>12Ft</b>		
Number of Fans - Evaporator	4	6		
Ambient Air Curtain	2	3		
Non-refrigerated Air Curtain	3	4		
	<b>Amperes</b>		<b>Watts</b>	
<b>Merchandiser</b>	<b>8Ft</b>	<b>12Ft</b>	<b>8Ft</b>	<b>12Ft</b>
<b>Fans</b>				
Standard	5.80	8.40	400	580
Standard with Reverse Air	4.24	6.16	320	460
Energy Efficient	2.04	2.96	208	302
Energy Efficient with Reverse Air	2.30	3.36	220	320
Constant on Anti-sweat Heaters	6.69	9.45	803	1134
Cycling Anti-sweat Heaters	2.34	3.58	281	430
<b>Min. Circuit Ampacity</b>				
Standard Fans	12.69	18.05		
Standard Fans with Reverse Air	11.13	15.81		
Energy Efficient Fans	8.93	12.61		
Energy Efficient Fans with Reverse Air	9.19	13.01		
Max. Over Current Protection	20	20		
120V 1Φ Supplemental Gas Heaters	7.23	9.45	868	1134
208V 3Φ Electric Defrost	24.7	37.3	8611	13,023
208V 1Φ Supplemental Rev. Air	NA			
<b>Standard Lighting*</b>				
1 Row Canopy				
1 Row Interior Ledge				
Advance	2.15	3.80	257	440
Magnatec/Universal	2.10	3.60	257	514
Valmont(GE)	—	4.20	—	430

Revised 12-15-93