

Single Level Free Standing End Display

Vision NCFS
Ice Cream

Refrigeration Data

Discharge Air °F	-20
Evaporator °F	-30
Unit Sizing °F	-33
<i>BTU/HR/FOOT</i>	
Parallel	370
Satellite	385
Conventional	425

Defrost Data

Frequency Hrs	24
<i>ELECTRIC</i>	
Temp Term °F	52
Failsafe Min	60
<i>REVERSE AIR</i>	
Temp Term °F	48
Failsafe Min	90
<i>GAS</i>	
Duration Min	24
<i>OFFTIME</i>	
Duration Min	NA

Conventional Controls

Low Pressure Backup Control	
CI/CO (PSIG)	
R-22 7/0	R-502 7/0
Indoor Condenser only, Pressure	
Defrost Termination (PSIG)	
R-22 NA	R-502 NA

Physical Data

Merchandiser	
Drip Pipe (ins)	1 1/2
Liquid Line (ins)	3/8
Suction Line (ins)	7/8

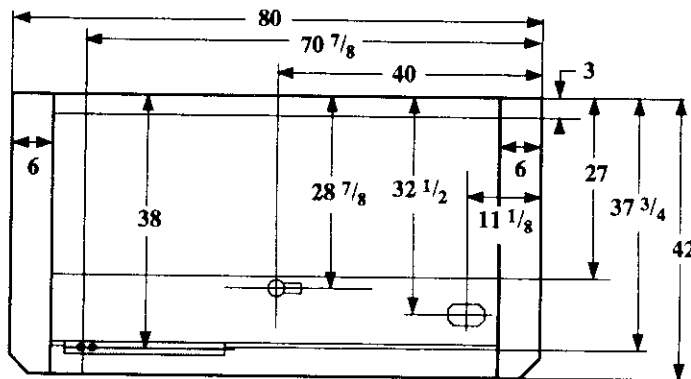
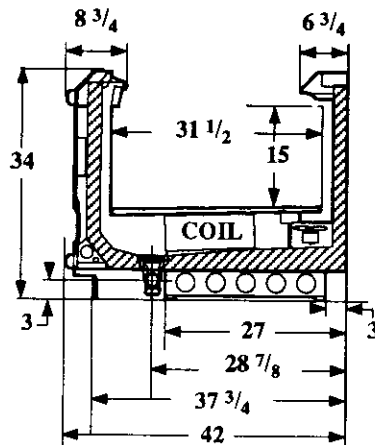
Evaporator Estimated Charge		
Length	R-22	R-502
	(lbs)	(lbs)
6	12	10

Length Added to Lineup by Ends and Partitions

Each End (ins)	1 1/2
----------------	-------

Each Insulated Partition (ins)	1 1/2
--------------------------------	-------

Measurements in Inches



- Electrical Service
- Waste Outlet
- Refrigeration Outlet
- Passageway Port

Vision NCFS Ice Cream
--

Electrical Data

Merchandiser

Number of Fans - Evaporator

End
1

Merchandiser

Fans

Standard

Energy Efficient

Reverse Air

Constant on Anti-sweat Heaters

Cycling Anti-sweat Heaters

Min. Circuit Ampacity

With Standard Fans

With Energy Efficient Fans

With Reverse Air Fans

Max. Over Current Protection

Supplemental Gas Heaters

208V 1Φ Electric Defrost

120V 1Φ Supplemental Rev. Air

Amperes

End

0.60

0.20

0.31

1.10

NA

1.90

1.50

1.61

20

0.2

9.9

5.2

Watts

End

40

20

30

132

25

1088

624

Standard Lighting

None

Revised 12-15-93