

Multideck, 5 Display Levels, 27 inch Front
Solid Back (Z) or Sliding Rear Doors (X)

Vision ND5H LIT
Dairy

Refrigeration Data

Discharge Air °F	32
Evaporator °F	21
Unit Sizing °F	19
<i>BTU/HR/FOOT</i>	
Shelf Depth (In.)	24/22 20/18 16/14
Parallel	1225 1340 1400
Satellite	Not Applied
Conventional	1290 1410 1475

Defrost Data

Frequency Hrs	8
<i>ELECTRIC</i>	
Temp Term °F	48
Fallsafe Min	26
<i>REVERSE AIR</i>	
Temp Term °F	48
Fallsafe Min	40
<i>GAS</i>	
Duration Min	14
<i>OFFTIME</i>	
Duration Min	40

Conventional Controls

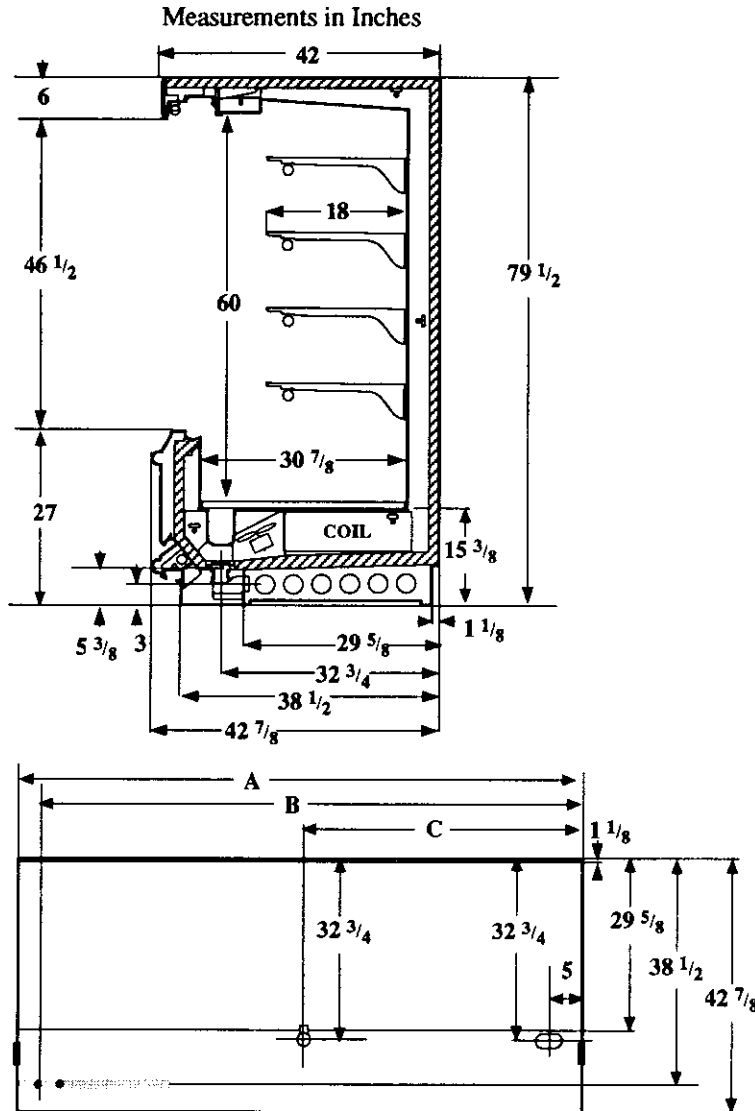
Low Pressure Backup Control	
CI/CO (PSIG)	
R-22 37/27	R-502 45/35
Indoor Condenser only, Pressure	
Defrost Termination (PSIG)	
R-22 82	R-502 96

Physical Data

Merchandise	
Drip Pipe (ins)	1 1/2
Liquid Line (ins)	3/8
Suction Line (ins)	1 1/8

Evaporator Estimated Charge		
Length	R-22	R-502
	(lbs)	(lbs)
8	14	15
12	22	23

Length Added to Lineup by	
Ends and Partitions	
Each End (ins)	1 1/2
Each Insulated	
Partition (ins)	1 1/2



	Electrical Service	Dimension	8' Case	12' Case
	Waste Outlet	A	96 1/4	144 3/8
	Refrigeration Outlet	B	92	140 1/8
	Passageway Port	C	48 1/8	72 1/8

Revised 12-15-93

Vision ND5H LIT Dairy
--

Electrical Data

Merchandiser	8Ft	12Ft		
Number of Fans - Evaporator	2	3		
	Amperes		Watts	
Merchandiser	8Ft	12Ft	8Ft	12Ft
Fans				
Standard Fans	1.40	2.10	100	150
Energy Efficient Fans	0.52	0.78	54	81
Reverse Air	0.62	0.93	60	90
Constant on Anti-sweat Heaters	NA			
Cycling Anti-sweat Heaters	NA			
Min. Circuit Ampacity				
With Standard Fans	1.60	2.30		
With Energy Efficient Fans	0.72	0.98		
With Reverse Air	0.82	1.13		
Max. Over Current Protection	20	20		
Supplemental Gas Heaters	NA			
208V 1Φ Electric Defrost	5.2	7.8	1082	1622
120V 1Φ Supplemental Rev. Air	NA			
Standard Lighting*				
1 Row Canopy	[7.8]	[11.9]		
Advance	1.30	1.90	135	220
Valmont (GE)	1.03	2.10	117	257
Magnatec/Universal	1.20	1.80	135	215

*[] = Serial Plate Amperage includes wire harness for 4 rows of lighted shelves.

Revised 12-15-93

HUSSMANN CORPORATION • BRIDGETON, MO 63044