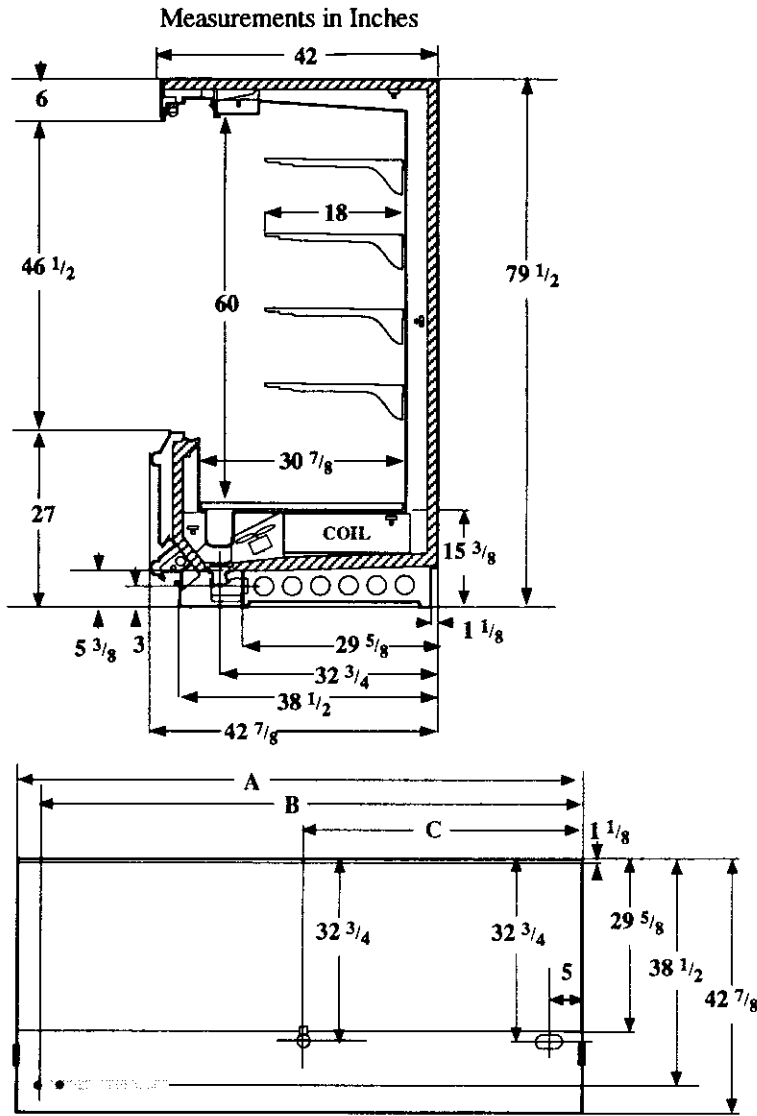


Multideck, 5 Display Levels, 27 inch Front  
Solid Back (Z) or Sliding Rear Doors (X)

**Vision ND5H UNLIT**  
**Dairy**



	Dimension	8' Case	12' Case
Electrical Service	A	96 1/4	144 3/8
Waste Outlet	B	92	140 1/8
Refrigeration Outlet	C	48 1/8	72 1/8
Passageway Port			

Revised 12-15-93

**Refrigeration Data**

Discharge Air °F	32
Evaporator °F	21
Unit Sizing °F	19

**BTU/HR/FOOT**

Shelf Depth (In.)	24/22	20/18	16/14
Parallel	1135	1250	1305

Satellite	Not Applied
Conventional	1195 1315 1375

**Defrost Data**

Frequency Hrs	8
---------------	---

**ELECTRIC**

Temp Term °F	48
Failsafe Min	26

**REVERSE AIR**

Temp Term °F	48
Failsafe Min	40

**GAS**

Duration Min	14
--------------	----

**OFFTIME**

Duration Min	40
--------------	----

**Conventional Controls**

Low Pressure Backup Control	
C/CO (PSIG)	
R-22 37/27	R-502 45/35

Indoor Condenser only, Pressure Defrost Termination (PSIG)	
R-22 82	R-502 96

**Physical Data**

Merchandiser	
Drip Pipe (ins)	1 1/2
Liquid Line (ins)	3/8
Suction Line (ins)	1 1/8

**Evaporator Estimated Charge**

Length	R-22 (lbs)	R-502 (lbs)
8	14	15
12	22	23

**Length Added to Lineup by Ends and Partitions**

Each End (ins)	1 1/2
----------------	-------

**Each Insulated**

Partition (ins)	1 1/2
-----------------	-------

<b>Vision ND5H UNLIT</b> <b>Dairy</b>
--

**Electrical Data**

<b>Merchandiser</b>	<b>8Ft</b>	<b>12Ft</b>		
Number of Fans - Evaporator	2	3		
	<b>Amperes</b>		<b>Watts</b>	
<b>Merchandiser</b>	<b>8Ft</b>	<b>12Ft</b>	<b>8Ft</b>	<b>12Ft</b>
Fans				
Standard Fans	1.40	2.10	100	150
Energy Efficient Fans	0.52	0.78	54	81
Reverse Air	0.62	0.93	60	90
Constant on Anti-sweat Heaters	NA			
Cycling Anti-sweat Heaters	NA			
Min. Circuit Ampacity				
With Standard Fans	1.60	2.30		
With Energy Efficient Fans	0.72	0.98		
With Reverse Air	0.82	1.13		
Max. Over Current Protection	20	20		
Supplemental Gas Heaters	NA			
208V 1Φ Electric Defrost	5.2	7.8	1082	1622
120V 1Φ Supplemental Rev. Air	NA			
<b>Standard Lighting*</b>				
1 Row Canopy	[7.8]	[11.9]		
Advance	1.30	1.90	135	220
Valmont (GE)	1.03	2.10	117	257
Magnetec/Universal	1.20	1.80	135	215

\*[ ] = Serial Plate Amperage includes wire harness for 4 rows of lighted shelves.