

Multideck, 5 Display Levels, 18 inch Front  
 Solid Back (Z) or Sliding Rear Doors (X)

**Vision ND5L UNLIT**  
**Dairy**

**Refrigeration Data**

Discharge Air °F	32
Evaporator °F	21
Unit Sizing °F	19

**BTU/HR/FOOT**

Shelf Depth (In.)	24/22	20/18	16/14
Parallel	1365	1500	1565

Satellite Not Applied

Conventional	1435	1580	1650
--------------	------	------	------

**Defrost Data**

Frequency Hrs	8
---------------	---

**ELECTRIC**

Temp Term °F	48
Failsafe Min	26

**REVERSE AIR**

Temp Term °F	48
Failsafe Min	40

**GAS**

Duration Min	14
--------------	----

**OFFTIME**

Duration Min	40
--------------	----

**Conventional Controls**

Low Pressure Backup Control	
CI/CO (PSIG)	
R-22 37/27	R-502 45/35

Indoor Condenser only, Pressure	
Defrost Termination (PSIG)	
R-22 82	R-502 96

**Physical Data**

Merchandiser	
Drip Pipe (Ins)	1 1/2
Liquid Line(Ins)	3/8
Suction Line(Ins)	1 1/8

**Evaporator Estimated Charge**

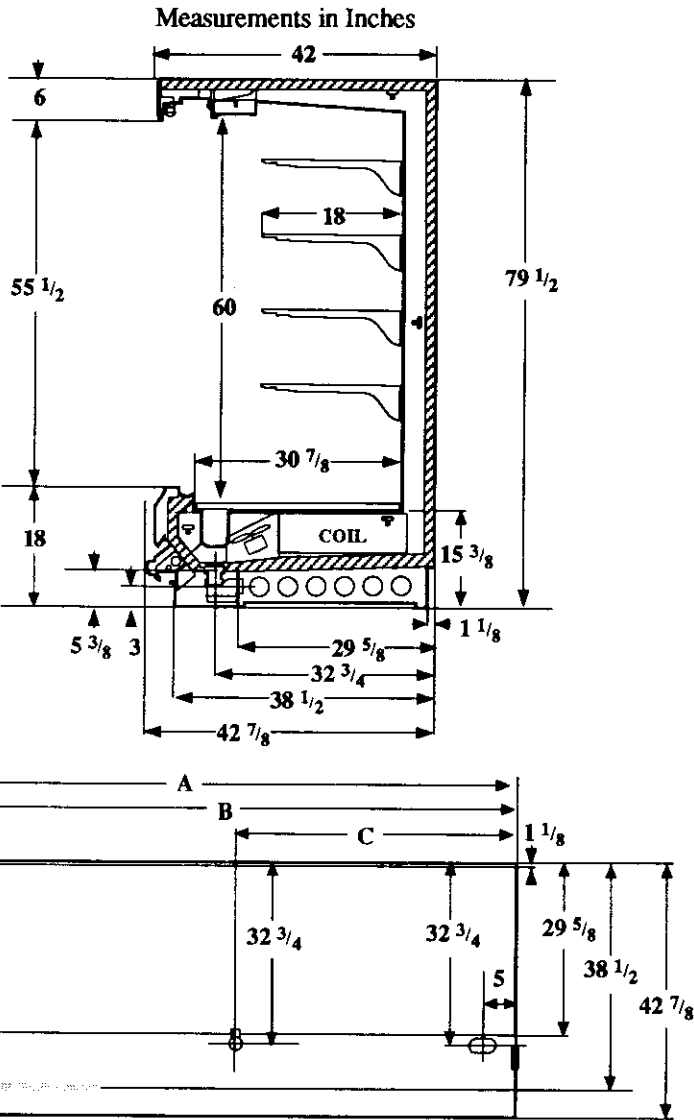
Length	R-22 (lbs)	R-502 (lbs)
8	14	15
12	22	23

**Length Added to Lineup by Ends and Partitions**

Each End(Ins)	1 1/2
---------------	-------

**Each Insulated**

Partition(Ins)	1 1/2
----------------	-------



⚡ Electrical Service	<b>Dimension</b>	<b>8' Case</b>	<b>12' Case</b>
⊗ Waste Outlet	A	96 1/4	144 3/8
○ Refrigeration Outlet	B	92	140 1/8
▬ Passageway Port	C	48 1/8	72 1/8

Revised 12-15-93

<b>Vision ND5L UNLIT</b> <b>Dairy</b>
--

**Electrical Data**

<b>Merchandiser</b>	<b>8Ft</b>	<b>12Ft</b>		
Number of Fans - Evaporator	2	3		
		<b>Amperes</b>		<b>Watts</b>
<b>Merchandiser</b>	<b>8Ft</b>	<b>12Ft</b>	<b>8Ft</b>	<b>12Ft</b>
<b>Fans</b>				
Standard Fans	1.40	2.10	100	150
Energy Efficient Fans	0.52	0.78	54	81
Reverse Air	0.62	0.93	60	90
Constant on Anti-sweat Heaters	NA			
Cycling Anti-sweat Heaters	NA			
<b>Min. Circuit Ampacity</b>				
With Standard Fans	1.60	2.30		
With Energy Efficient Fans	0.72	0.98		
With Reverse Air	0.82	1.13		
Max. Over Current Protection	20	20		
Supplemental Gas Heaters	NA			
<b>208V 1Φ Electric Defrost</b>	5.2	7.8	1082	1622
<b>120V 1Φ Supplemental Rev. Air</b>	NA			
<b>Standard Lighting*</b>				
1 Row Canopy	[7.8]	[11.9]		
Advance	1.30	1.90	135	220
Valmont (GE)	1.03	2.10	117	257
Magnatec/Universal	1.20	1.80	135	215

\*[ ] = Serial Plate Amperage includes wire harness for 4 rows of lighted shelves.

Revised 12-15-93

HUSSMANN CORPORATION • BRIDGETON, MO 63044