

Multideck, 5 Display Levels, 27 inch Front
Solid Back (Z)

Vision ND6H UNLIT
Dairy

Refrigeration Data

Discharge Air °F	32
Evaporator °F	21
Unit Sizing °F	19
<i>BTU/HR/FOOT</i>	
Shelf Depth (In.)	20
Parallel	1375
Satellite	Not Applied
Conventional	1445

Defrost Data

Frequency Hrs	6
<i>ELECTRIC</i>	
Temp Term °F	48
Failsafe Min	26
<i>REVERSE AIR</i>	
Temp Term °F	NA
Failsafe Min	
<i>GAS</i>	
Duration Min	14
<i>OFFTIME</i>	
Duration Min	40

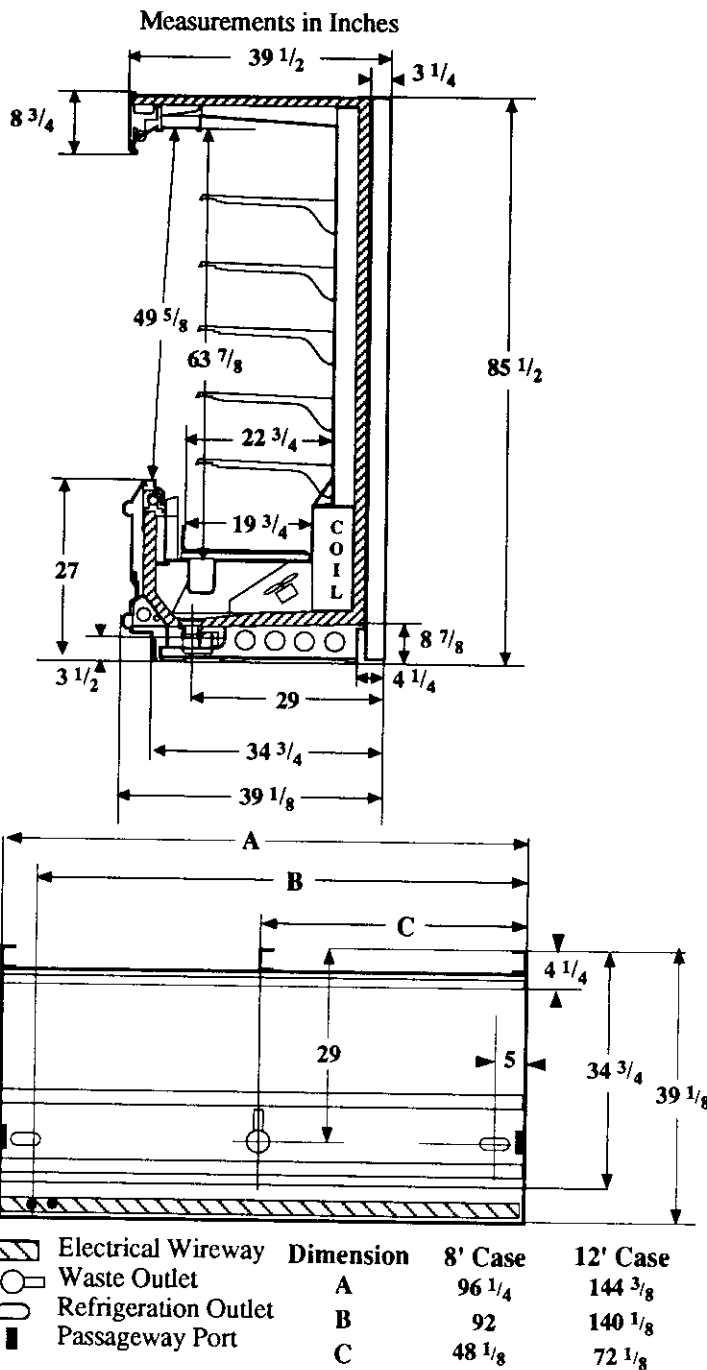
Conventional Controls

Low Pressure Backup Control	
CI/CO (PSIG)	
R-22 40/30	R-502 49/39
Indoor Condenser only, Pressure	
Defrost Termination (PSIG)	
R-22 70	R-502 82

Physical Data

Merchandiser		
Drip Pipe (Ins)		1 1/2
Liquid Line(Ins)		3/8
Suction Line(Ins)		1 1/8
Evaporator Estimated Charge		
Length	R-22	R-502
	(lbs)	(lbs)
8	12	13
12	19	20

Length Added to Lineup by	
Ends and Partitions	
Each End(Ins)	1 1/2
Each Insulated	
Partition(Ins)	1 1/2



Vision ND6H UNLIT Dairy
--

Electrical Data

Merchandiser

Number of Fans - Evaporator

8Ft	12Ft
3	4

Merchandiser	Amperes		Watts	
	8Ft	12Ft	8Ft	12Ft
Enrg Eff Fans Standard	2.49	3.32	165	220
Constant on Anti-sweat Heaters	NA			
Cycling Anti-sweat Heaters	NA			
Min. Circuit Ampacity	2.69	3.52		
Max. Over Current Protection	20	20		
Supplemental Gas Heaters	NA			
208V 1Φ Electric Defrost	5.2	7.8	1082	1622
120V 1Φ Supplemental Rev. Air	NA			

Standard Lighting

1 Row Canopy

Interior Ledge Light

Advance	2.15	3.80	257	440
Valmont (GE)	—	4.20	—	514
Magnatec/Universal	2.10	3.60	257	430

Revised 12-15-93

HUSSMANN CORPORATION • BRIDGETON, MO 63044