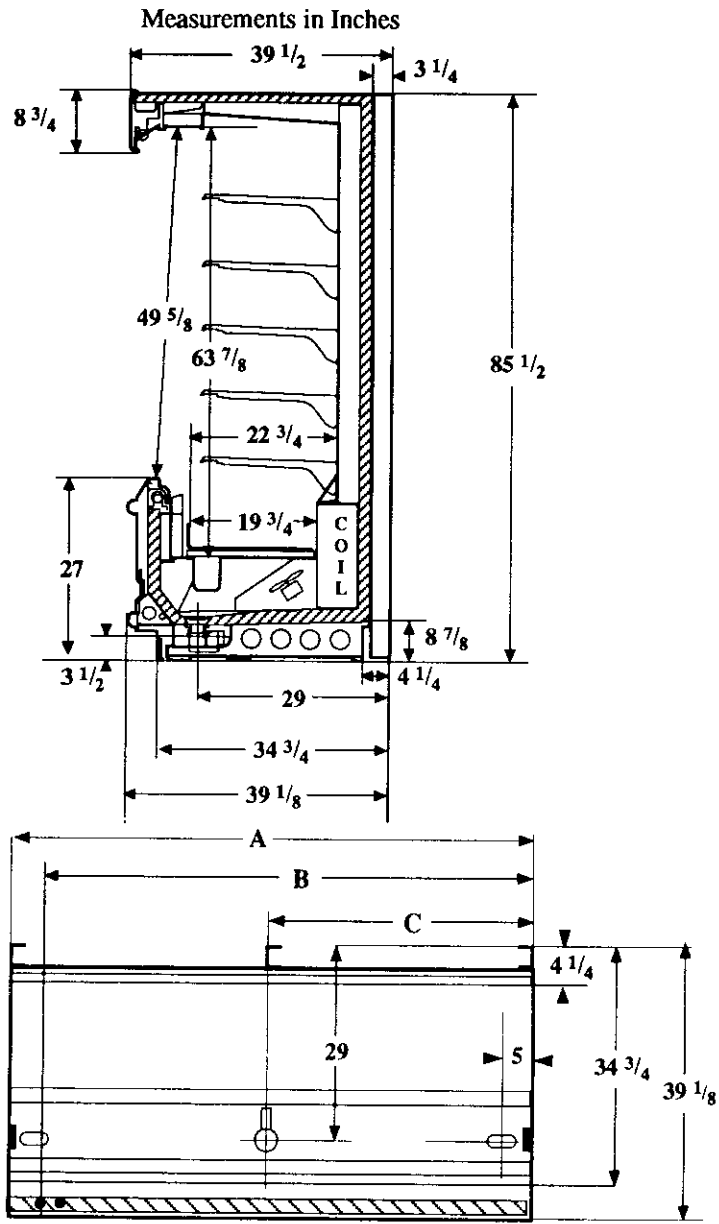


Multideck, 5 Display Levels, 27 inch Front
Solid Back (Z)

Vision ND6H UNLIT
Dellcatessen



	Electrical Wireway	Dimension	8' Case	12' Case
	Waste Outlet	A	96 1/4	144 3/8
	Refrigeration Outlet	B	92	140 1/8
	Passageway Port	C	48 1/8	72 1/8

Refrigeration Data

Discharge Air °F	32
Evaporator °F	24
Unit Sizing °F	22
<i>BTU/HR/FOOT</i>	
Shelf Depth (In.)	20
Parallel	1630
Satellite	Not Applied
Conventional	1705

Defrost Data

Frequency Hrs	6
<i>ELECTRIC</i>	
Temp Term °F	48
Failsafe Min	26
<i>REVERSE AIR</i>	
Temp Term °F	NA
Failsafe Min	
<i>GAS</i>	
Duration Min	14
<i>OFFTIME</i>	
Duration Min	40

Conventional Controls

Low Pressure Backup Control	
C/CO (PSIG)	
R-22 40/30	R-502 49/39
Indoor Condenser only, Pressure	
Defrost Termination (PSIG)	
R-22 70	R-502 82

Physical Data

Merchandiser	
Drip Pipe (ins)	1 1/2
Liquid Line (ins)	3/8
Suction Line (ins)	1 1/8

Evaporator Estimated Charge		
Length	R-22	R-502
	(lbs)	(lbs)
8	12	13
12	19	20

Length Added to Lineup by	
Ends and Partitions	
Each End (ins)	1 1/2
Each Insulated	
Partition (ins)	1 1/2

Vision ND6H UNLIT Delicatessen

Electrical Data
Merchandiser

Number of Fans - Evaporator

8Ft	12Ft
3	4

Amperes
Watts
Merchandiser

Energy Efficient Fans Standard

8Ft	12Ft
2.49	3.32

8Ft	12Ft
165	220

Constant on Anti-sweat Heaters

NA

Cycling Anti-sweat Heaters

NA

Min. Circuit Ampacity

Energy Efficient Fans

2.69	3.52
------	------

Max. Over Current Protection

20	20
----	----

Supplemental Gas Heaters

NA

208V 1Φ Electric Defrost

5.2	7.8
-----	-----

1082	1622
------	------

120V 1Φ Supplemental Rev. Air

NA

Standard Lighting

1 Row Canopy

Interior Ledge Light

Advance

2.15	3.80
------	------

257	440
-----	-----

Valmont (GE)

—	4.20
---	------

—	514
---	-----

Magnatec/Universal

2.10	3.60
------	------

257	430
-----	-----

Revised 12-15-93

HUSSMANN CORPORATION • BRIDGETON, MO 63044