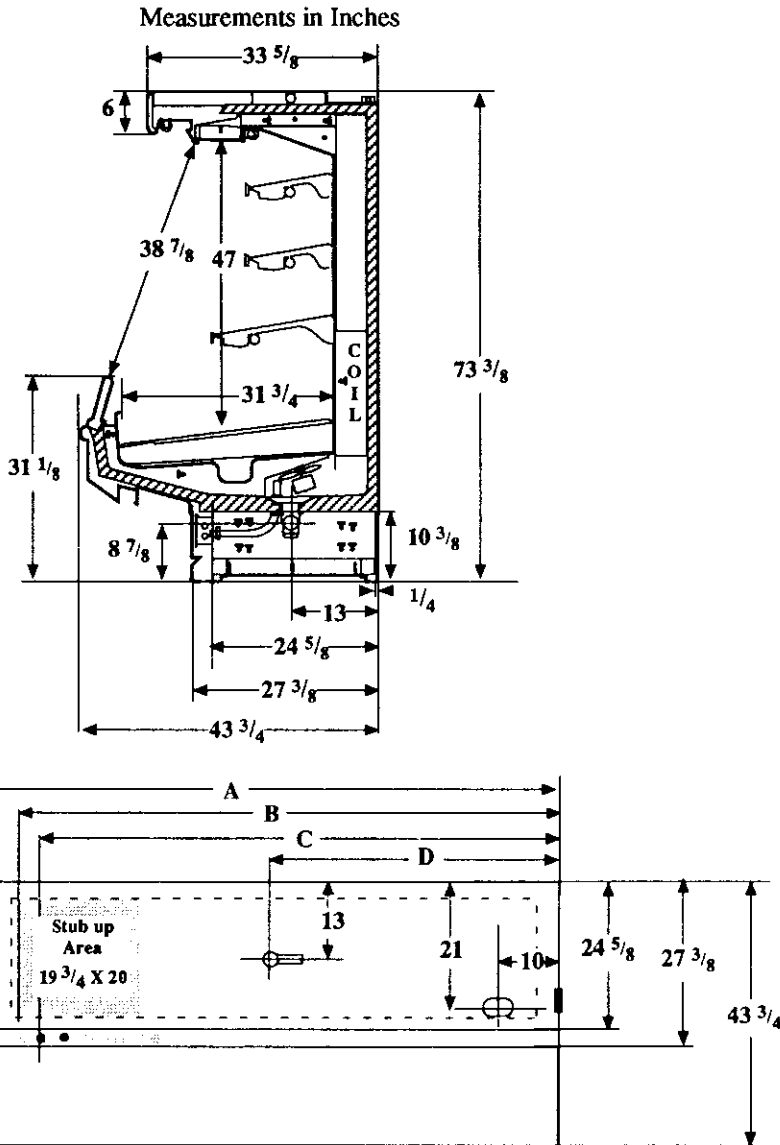


Vision NDD4G
Delicatessen



	Dimension	8' Case	12' Case
Electrical Service			
Waste Outlet	A	96 3/8	144 1/2
Refrigeration Outlet	B	90 3/8	138 1/2
Passageway Port	C	86 3/8	134 1/2
	D	48 1/8	72 1/4

Refrigeration Data

Discharge Air °F	28
Evaporator °F	20
Unit Sizing °F	18
<i>BTU/HR/FOOT</i>	
Parallel	1295
Satellite	1330
Conventional	1365
Fan Cycling	CI/CO 28/38°F
	Gas Defrost only

Defrost Data

Frequency Hrs	6
<i>ELECTRIC</i>	
Temp Term °F	48
Failsafe Min	46
<i>REVERSE AIR</i>	
Temp Term °F	48
Failsafe Min	40
<i>GAS</i>	
Duration Min	14
<i>OFFTIME</i>	
Duration Min	46

Conventional Controls

Low Pressure Backup Control	
CI/CO (PSIG)	
R-22 36/26	R-502 44/34
Indoor Condenser only, Pressure Defrost Termination (PSIG)	
R-22 NA	R-502 NA

Physical Data

Merchandiser	
Drip Pipe (ins)	1 1/2
Liquid Line (ins)	3/8
Suction Line (ins)	7/8

Evaporator Estimated Charge

Length	R-22 (lbs)	R-502 (lbs)
8	11	12
12	18	19

Length Added to Lineup by Ends and Partitions

Each End (ins)	1 1/2
Each Insulated Partition (ins)	
	1 1/2

Vision NDD4G Delicatessen
--

Electrical Data

Merchandiser	8Ft	12Ft		
Number of Fans - Evaporator	3	4		
	Amperes		Watts	
Merchandiser	8Ft	12Ft	8Ft	12Ft
Fans				
Standard Fans	2.10	2.80	150	200
Energy Efficient Fans	0.78	1.04	81	108
Reverse Air	0.93	1.24	90	120
Constant on Anti-sweat Heaters	NA			
Cycling Anti-sweat Heaters	NA			
Min. Circuit Ampacity				
With Standard Fans	2.30	3.00		
With Energy Efficient Fans	0.98	1.24		
With Reverse Air	1.13	1.44		
Max. Over Current Protection	20	20		
Supplemental Gas Heaters	NA			
208V 1Φ Electric Defrost	5.2	7.8	1082	1622
120V 1Φ Supplemental Rev. Air	NA			

Standard Lighting*

1 Row Canopy				
1 Row Behind Honeycomb	[5.4]	[8.1]		
Advance	1.50	2.25	180	270
Valmont (GE)	1.60	2.40	176	264

*[] = Serial Plate Amperage includes wire harness for 3 rows of lighted shelves.

Revised 12-15-93

HUSSMANN CORPORATION • BRIDGETON, MO 63044