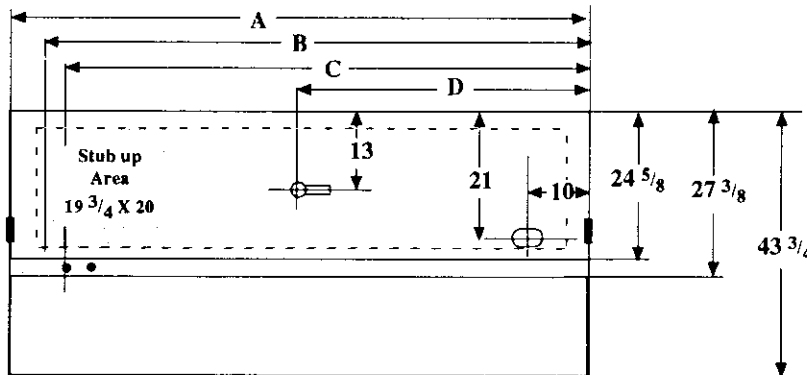
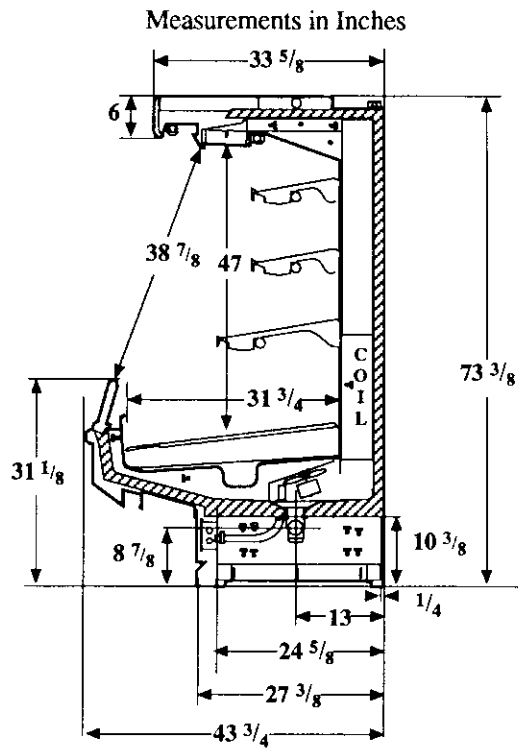


Vision NDD4G
Meat



| | Electrical Service | Dimension | 8' Case | 12' Case |
|--|----------------------|-----------|---------|----------|
| | Waste Outlet | A | 96 3/8 | 144 1/2 |
| | Refrigeration Outlet | B | 90 3/8 | 138 1/2 |
| | Passageway Port | C | 86 3/8 | 134 1/2 |
| | | D | 48 1/8 | 72 1/4 |

Refrigeration Data

| | | | |
|------------------|----|----|-----|
| Discharge Air °F | 26 | 22 | *24 |
| Evaporator °F | 17 | 13 | 15 |
| Unit Sizing °F | 15 | 11 | 13 |

BRU/HR/FOOT

| | | | |
|--------------|------|------|------|
| Parallel | 1235 | 1330 | 1283 |
| Satellite | 1268 | 1365 | 1317 |
| Conventional | 1300 | 1400 | 1350 |

*Hussmann recommends.

| | |
|-------------|------------------|
| Fan Cycling | CI/CO 28/38°F |
| | Gas Defrost only |

Defrost Data

| | |
|---------------|---|
| Frequency Hrs | 6 |
|---------------|---|

ELECTRIC

| | |
|--------------|----|
| Temp Term °F | 48 |
| Failsafe Min | 46 |

REVERSE AIR

| | |
|--------------|----|
| Temp Term °F | 48 |
| Failsafe Min | 40 |

GAS

| | |
|--------------|----|
| Duration Min | 14 |
|--------------|----|

OFFTIME

| | |
|--------------|----|
| Temp Term °F | 48 |
| Failsafe Min | 46 |

Conventional Controls

| | |
|-----------------------------|-------------|
| Low Pressure Backup Control | |
| CI/CO (PSIG) | |
| R-22 31/21 | R-502 39/29 |

Indoor Condenser only, Pressure Defrost Termination (PSIG)

| | |
|---------|----------|
| R-22 NA | R-502 NA |
|---------|----------|

Physical Data

Merchandiser

| | |
|--------------------|-------|
| Drip Pipe (ins) | 1 1/2 |
| Liquid Line (ins) | 3/8 |
| Suction Line (ins) | 1 1/8 |

Evaporator Estimated Charge

| Length | R-22 (lbs) | R-502 (lbs) |
|--------|------------|-------------|
| 8 | 11 | 12 |
| 12 | 18 | 19 |

Length Added to Lineup by Ends and Partitions

| | |
|----------------|-------|
| Each End (ins) | 1 1/2 |
|----------------|-------|

Each Insulated

| | |
|-----------------|-------|
| Partition (ins) | 1 1/2 |
|-----------------|-------|

| |
|------------------------------------|
| Vision NDD4G Meat |
|------------------------------------|

Electrical Data

| Merchandiser | 8Ft | | 12Ft | |
|--------------------------------|---------|-------|---------|-------|
| | Amperes | Watts | Amperes | Watts |
| Number of Fans - Evaporator | 3 | | 4 | |
| Merchandiser | 8Ft | 12Ft | 8Ft | 12Ft |
| Fans | | | | |
| Standard | 2.10 | 2.80 | 150 | 200 |
| Energy Efficient | 0.78 | 1.04 | 81 | 108 |
| Reverse Air | 0.93 | 1.24 | 90 | 120 |
| Constant on Anti-sweat Heaters | NA | | | |
| Cycling Anti-sweat Heaters | NA | | | |
| Min. Circuit Ampacity | | | | |
| With Standard Fans | 2.30 | 3.00 | | |
| With Energy Efficient Fans | 0.98 | 1.24 | | |
| With Reverse Air Fans | 1.13 | 1.44 | | |
| Max. Over Current Protection | 20 | 20 | | |
| Supplemental Gas Heaters | NA | | | |
| 208V 1Φ Electric Defrost | 5.2 | 7.8 | 1082 | 1622 |
| 120V 1Φ Supplemental Rev. Air | NA | | | |

Standard Lighting*

| | | | | |
|------------------------|-------|-------|-----|-----|
| 1 Row Canopy | | | | |
| 1 Row Behind Honeycomb | [5.4] | [8.1] | | |
| Advance | 1.50 | 2.25 | 180 | 270 |
| Valmont (GE) | 1.60 | 2.40 | 176 | 264 |

*[] = Serial Plate Amperage includes wire harness for 3 rows of lighted shelves.

Revised 12-15-93