

Multideck, 5 Display Levels, 27 inch Front Solid Back (Z)

Vision NDD5H PEG
Delicatessen

Refrigeration Data

| | | | |
|------------------|----|----|-----|
| Discharge Air °F | 28 | 30 | *32 |
| Evaporator °F | 12 | 15 | 18 |
| Unit Sizing °F | 10 | 13 | 16 |

BTU/HR/FOOT

| | | | |
|--------------|------|------|------|
| Parallel | 1705 | 1690 | 1630 |
| Satellite | 1750 | 1735 | 1670 |
| Conventional | 1795 | 1780 | 1715 |

*Hussmann recommends.

Defrost Data

Frequency Hrs 6

ELECTRIC

Temp Term °F 48
Fallsafe Min 26

REVERSE AIR

Temp Term °F 48
Fallsafe Min 40

GAS

Duration Min 14

OFFTIME

Duration Min 40

Conventional Controls

Low Pressure Backup Control

CI/CO (PSIG)
R-22 34/24 R-502 42/32

Indoor Condenser only, Pressure Defrost Termination (PSIG)

R-22 82 R-502 96

Physical Data

Merchandise

Drip Pipe (ins) 1 1/2
Liquid Line (ins) 3/8
Suction Line (ins) 1 1/8

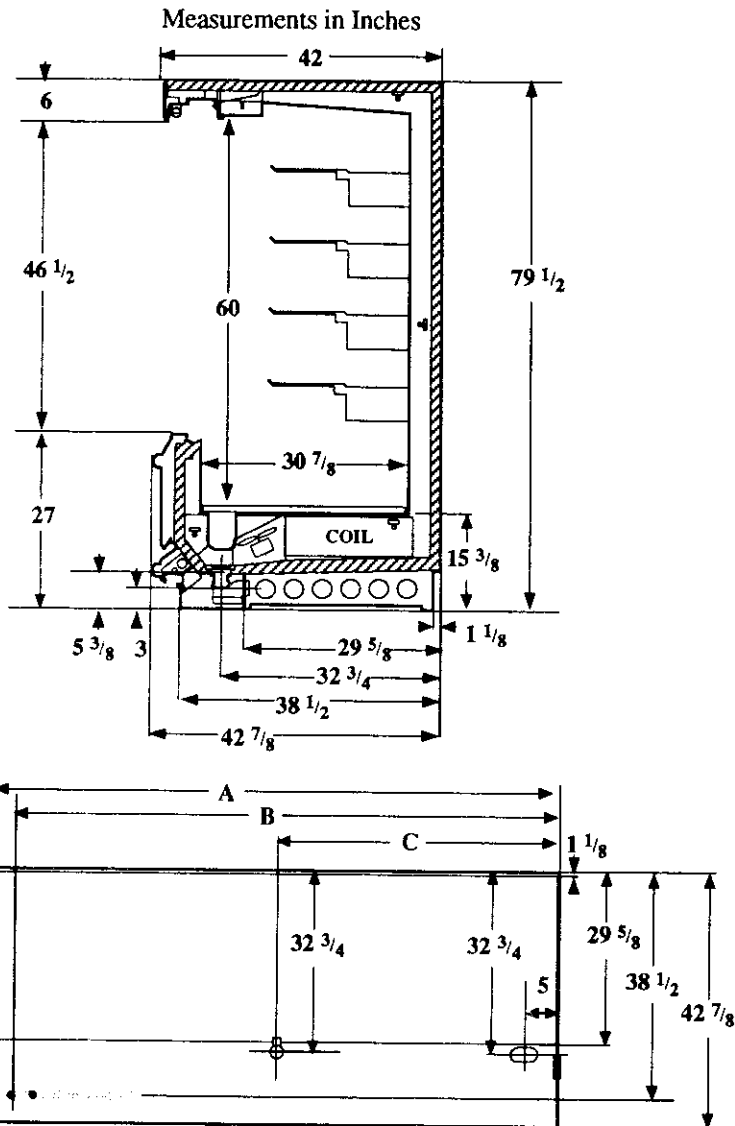
Evaporator Estimated Charge

| Length | R-22 (lbs) | R-502 (lbs) |
|--------|------------|-------------|
| 8 | 14 | 15 |
| 12 | 22 | 23 |

Length Added to Lineup by Ends and Partitions

Each End (ins) 1 1/2

Each Insulated Partition (ins) 1 1/2



| Dimension | 8' Case | 12' Case |
|-----------|---------|----------|
| A | 96 1/4 | 144 3/8 |
| B | 92 | 140 1/8 |
| C | 48 1/8 | 72 1/8 |

- ⊕ Electrical Service
- ⊗ Waste Outlet
- Refrigeration Outlet
- ⊥ Passageway Port

Revised 12-15-93

| |
|--|
| Vision NDD5H PEG Delicatessen |
|--|

Electrical Data

| Merchandise | 8Ft | 12Ft | | |
|---|----------------|-------------|--------------|-------------|
| Number of Fans - Evaporator | 2 | 3 | | |
| Number of Fans - Evaporator with Reverse Air Defrost | 4 | 6 | | |
| | Amperes | | Watts | |
| Merchandise | 8Ft | 12Ft | 8Ft | 12Ft |
| Fans | | | | |
| Standard Fans | 3.20 | 4.80 | 220 | 330 |
| Energy Efficient Fans | 1.66 | 2.49 | 110 | 165 |
| Reverse Air | 1.24 | 1.96 | 120 | 180 |
| Constant on Anti-sweat Heaters | NA | | | |
| Cycling Anti-sweat Heaters | NA | | | |
| Min. Circuit Ampacity | | | | |
| With Standard Fans | 3.40 | 5.00 | | |
| With Energy Efficient Fans | 1.86 | 2.69 | | |
| With Reverse Air | 1.44 | 2.16 | | |
| Max. Over Current Protection | 20 | 20 | | |
| Supplemental Gas Heaters | NA | | | |
| 208V 1Φ Electric Defrost | 5.2 | 7.8 | 1082 | 1622 |
| 120V 1Φ Supplemental Rev. Air | NA | | | |
| Standard Lighting* | | | | |
| 1 Row Canopy | [7.8] | [11.9] | | |
| Advance | 1.30 | 1.90 | 135 | 220 |
| Valmont (GE) | 1.03 | 2.10 | 117 | 257 |
| Magnatec/Universal | 1.20 | 1.80 | 135 | 215 |

*[] = Serial Plate Amperage includes wire harness for 4 rows of lighted shelves.

Revised 12-15-93

HUSSMANN CORPORATION • BRIDGETON, MO 63044