

Multideck, 5 Display Levels, 18 inch Front  
Solid Back (Z) or Sliding Rear Doors (X)

**Vision NDD5L LIT**  
**Delicatessen**

**Refrigeration Data**

Discharge Air °F	28	30	*32
Evaporator °F	12	15	18
Unit Sizing °F	10	13	16

*BTU/HR/FOOT*

Parallel	2020	2000	1885
Satellite	2070	2050	1935
Conventional	2125	2105	1985

\*Hussmann recommends.

**Defrost Data**

Frequency Hrs	6
<i>ELECTRIC</i>	
Temp Term °F	48
Failsafe Min	26
<i>REVERSE AIR</i>	
Temp Term °F	48
Failsafe Min	40
<i>GAS</i>	
Duration Min	14
<i>OFFTIME</i>	
Duration Min	40

**Conventional Controls**

Low Pressure Backup Control CI/CO (PSIG)		
R-22	34/24	R-502 42/32
Indoor Condenser only, Pressure Defrost Termination (PSIG)		
R-22	82	R-502 96

**Physical Data**

<b>Merchandise</b>	
Drip Pipe (ins)	1 1/2
Liquid Line(ins)	3/8
Suction Line(ins)	1 1/8

**Evaporator Estimated Charge**

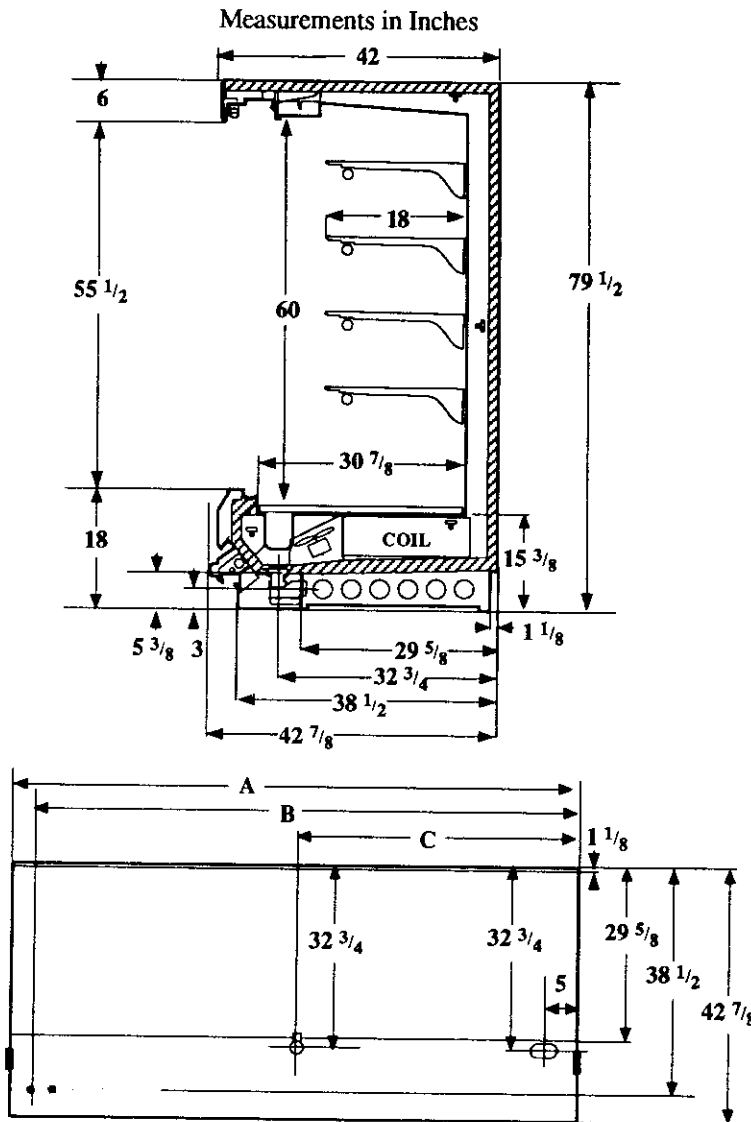
Length	R-22 (lbs)	R-502 (lbs)
8	14	15
12	22	23

**Length Added to Lineup by  
Ends and Partitions**

Each End(ins) 1 1/2

**Each Insulated**

Partition(ins) 1 1/2



⊕ Electrical Service	<b>Dimension</b>	<b>8' Case</b>	<b>12' Case</b>
⊗ Waste Outlet	A	96 1/4	144 3/8
○ Refrigeration Outlet	B	92	140 1/8
■ Passageway Port	C	48 1/8	72 1/8

Revised 12-15-93

<b>Vislon NDD5L LIT</b> <b>Delicatessen</b>
--

**Electrical Data**

<b>Merchandiser</b>	<b>8Ft</b>	<b>12Ft</b>		
Number of Fans - Evaporator	2	3		
Number of Fans - Evaporator with Reverse Air Defrost	4	6		
	<b>Amperes</b>		<b>Watts</b>	
<b>Merchandiser</b>	<b>8Ft</b>	<b>12Ft</b>	<b>8Ft</b>	<b>12Ft</b>
Fans				
Standard Fans	3.20	4.80	220	330
Energy Efficient Fans	1.66	2.49	110	165
Reverse Air	1.24	1.96	120	180
Constant on Anti-sweat Heaters	NA			
Cycling Anti-sweat Heaters	NA			
Min. Circuit Ampacity				
With Standard Fans	3.40	5.00		
With Energy Efficient Fans	1.86	2.69		
With Reverse Air	1.44	2.16		
Max. Over Current Protection	20	20		
Supplemental Gas Heaters	NA			
208V 1Φ Electric Defrost	5.2	7.8	1082	1622
120V 1Φ Supplemental Rev. Air	NA			
<b>Standard Lighting*</b>				
1 Row Canopy	[7.8]	[11.9]		
Advance	1.30	1.90	135	220
Valmont (GE)	1.03	2.10	117	257
Magnelec/Universal	1.20	1.80	135	215

\*[ ] = Serial Plate Amperage includes wire harness for 4 rows of lighted shelves.

Revised 12-15-93

HUSSMANN CORPORATION • BRIDGETON, MO 63044