

Multideck, 5 Display Levels, 22 1/2 inch Front  
Solid Back (Z) or Sliding Rear Doors (X)

**Vision NDD5 UNLIT**  
**Delicatessen**

**Refrigeration Data**

Discharge Air °F	28	30	*32
Evaporator °F	12	15	18
Unit Sizing °F	10	13	16

**BTU/HR/FOOT**

Parallel	1625	1610	1550
Satellite	1665	1650	1590
Conventional	1710	1695	1630

\*Hussmann recommends.

**Defrost Data**

Frequency Hrs	6
<b>ELECTRIC</b>	
Temp Term °F	48
Failsafe Min	26
<b>REVERSE AIR</b>	
Temp Term °F	48
Failsafe Min	40
<b>GAS</b>	
Duration Min	14
<b>OFFTIME</b>	
Duration Min	40

**Conventional Controls**

Low Pressure Backup Control	
C/I/CO (PSIG)	
R-22 34/24	R-502 42/32
Indoor Condenser only, Pressure Defrost Termination (PSIG)	
R-22 82	R-502 96

**Physical Data**

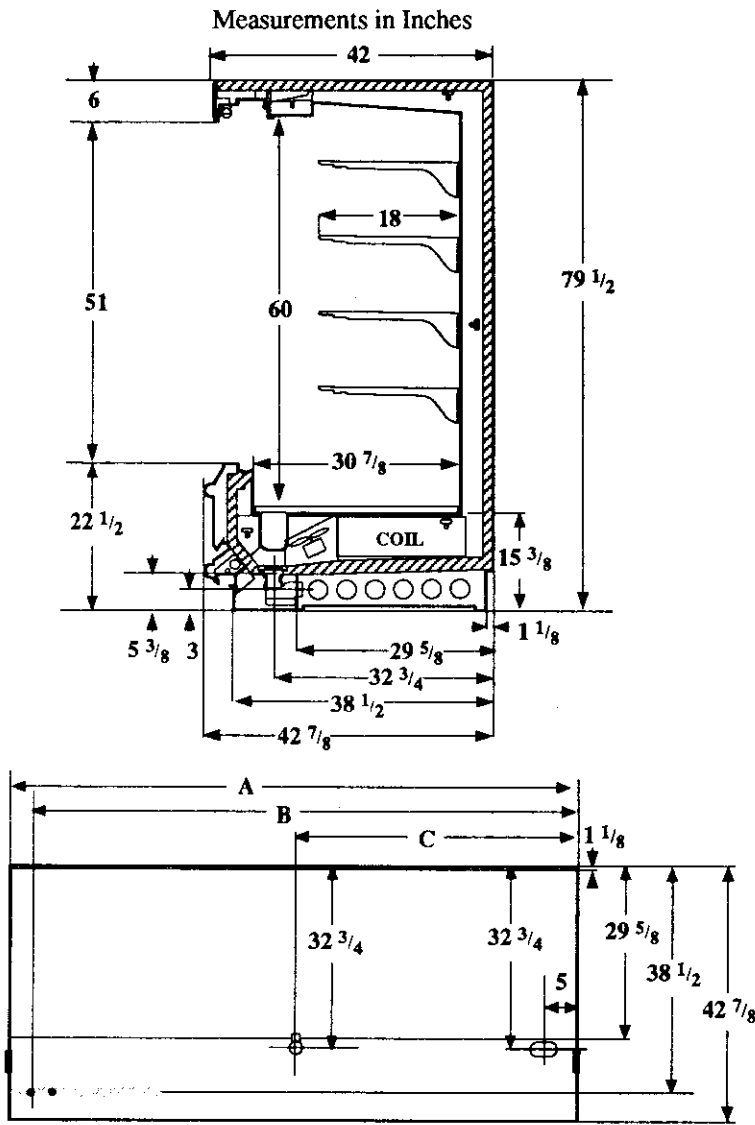
Merchandiser	
Drip Pipe (ins)	1 1/2
Liquid Line(ins)	3/8
Suction Line(ins)	1 1/8

**Evaporator Estimated Charge**

Length	R-22 (lbs)	R-502 (lbs)
8	14	15
12	22	23

**Length Added to Lineup by Ends and Partitions**

Each End(ins)	1 1/2
Each Insulated Partition(ins)	1 1/2



	Dimension	8' Case	12' Case
Electrical Service	A	96 1/4	144 3/8
Waste Outlet	B	92	140 1/8
Refrigeration Outlet	C	48 1/8	72 1/8
Passageway Port			

Revised 12-15-93

<b>Vision NDD5 UNLIT</b> <b>Delicatessen</b>
---

**Electrical Data**

<b>Merchandiser</b>	<b>8Ft</b>	<b>12Ft</b>		
Number of Fans - Evaporator	2	3		
Number of Fans - Evaporator with Reverse Air Defrost	4	6		
	<b>Amperes</b>		<b>Watts</b>	
<b>Merchandiser</b>	<b>8Ft</b>	<b>12Ft</b>	<b>8Ft</b>	<b>12Ft</b>
<b>Fans</b>				
Standard Fans	3.20	4.80	220	330
Energy Efficient Fans	1.66	2.49	110	165
Reverse Air	1.24	1.96	120	180
Constant on Anti-sweat Heaters	NA			
Cycling Anti-sweat Heaters	NA			
<b>Min. Circuit Ampacity</b>				
With Standard Fans	3.40	5.00		
With Energy Efficient Fans	1.86	2.69		
With Reverse Air	1.44	2.16		
<b>Max. Over Current Protection</b>	20	20		
Supplemental Gas Heaters	NA			
<b>208V 1Φ Electric Defrost</b>	5.2	7.8	1082	1622
<b>120V 1Φ Supplemental Rev. Air</b>	NA			
<b>Standard Lighting*</b>				
1 Row Canopy	[7.8]	[11.9]		
Advance	1.30	1.90	135	220
Valmont (GE)	1.03	2.10	117	257
Magnelec/Universal	1.20	1.80	135	215

\*[ ] = Serial Plate Amperage includes wire harness for 4 rows of lighted shelves.