

Multideck, 5 Display Levels.

Vision NDM5HZ
Meat

Refrigeration Data

Discharge Temp °F	24
Evaporator °F	18
Unit Sizing °F	16
<i>BTU/HR/FOOT</i>	
Parallel	1720
Satellite	1765
Conventional	1810
Fan Cycling	CI/CO 28/38°F
	Gas Defrost only

Defrost Data

Frequency Hrs	6
<i>ELECTRIC</i>	
Temp Term °F	48
Failsafe Min	26
<i>REVERSE AIR</i>	
Temp Term °F	48
Failsafe Min	40
<i>GAS</i>	
Duration Min	14
<i>OFFTIME</i>	
Temp Term °F	48
Failsafe Min	40

Conventional Controls

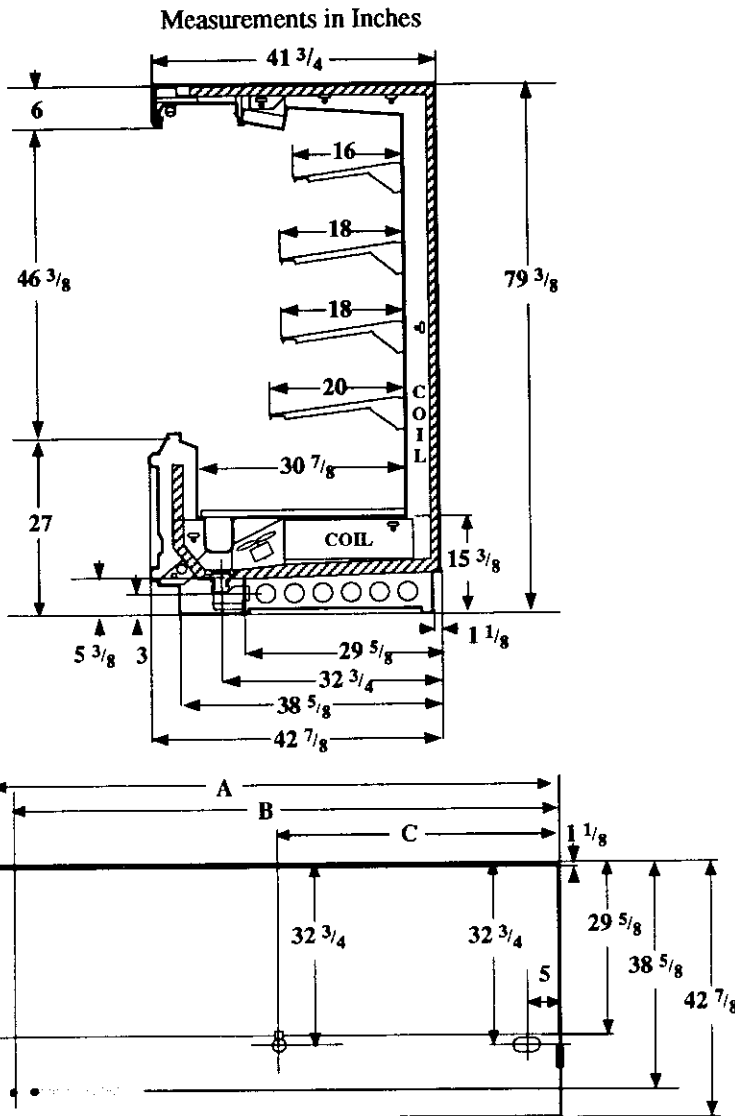
Low Pressure Backup Control	
CI/CO (PSIG)	
R-22 34/24	R-502 42/32
Indoor Condenser only, Pressure Defrost Termination (PSIG)	
R-22 82	R-502 96

Physical Data

Merchandiser		
Drip Pipe (in.)		1 1/2
Liquid Line (in.)		3/8
Suction Line (in.)		1 1/8
Evaporator Estimated Charge		
Length	R-22	R-502
	(lbs)	(lbs)
8'	27	28
12'	44	45

Length Added to Lineup by Ends and Partitions

Each End (in.)	2
Each Partitin (in.)	NA



Electrical Service	Dimension	8' Case	12' Case
⊗ Waste Outlet	A	96 1/4	144 3/8
○ Refrigeration Outlet	B	92	140 1/8
⊥ Passageway Port	C	48 1/8	72 1/8

Vision NDM5HZ Meat

Electrical Data

Merchandiser	8Ft	12Ft
Number of Fans - Evaporator	4	6

Merchandiser	Amperes		Watts	
	8Ft	12Ft	8Ft	12Ft
Fans				
Standard	2.80	4.20	200	300
Energy Efficient	1.04	1.56	108	162
Reverse Air	1.24	1.96	120	180
Constant on Anti-sweat Heaters	NA			
Cycling Anti-sweat Heaters	NA			
Supplemental Gas Heaters	NA			
Min. Circuit Ampacity				
With Standard Fans	3.00	4.40		
With Energy Efficient Fans	1.24	1.76		
With Reverse Air Fans	1.44	2.16		
Max. Over Current Protection	20	20		
208V 1Φ Electric Defrost	5.2	7.8	1082	1622
120V 1Φ Supplemental Rev. Air	NA			

Standard Lighting*

1 Row Canopy	[4.4]	[6.7]		
Advance	0.73	1.19	86	141
Valmont (GE)	0.73	1.13	86	134
Magnatec/Universal	0.73	1.17	86	136

*[] = Serial Plate Amperage includes wire harness for 4 rows of lighted shelves.

Revised 06-15-93