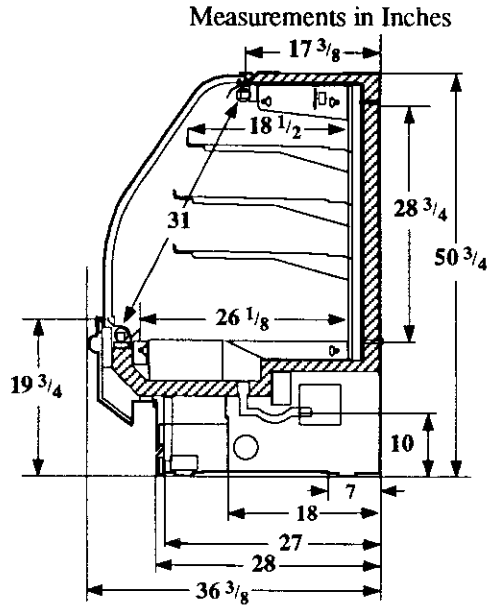


Non-refrigerated, Double Curved Tilt Glass,
4 Display Levels, and Sliding Rear Doors

Vision NEBNDT
Bakery

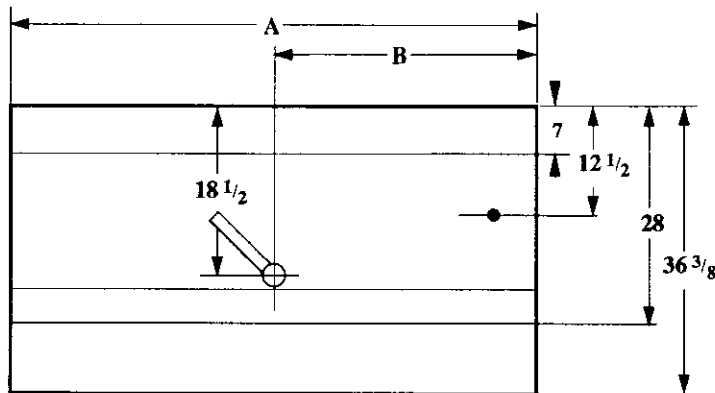
Refrigeration Data

Discharge Air °F	NA
Evaporator °F	NA
Unit Sizing °F	NA
<i>BTU/HR/FOOT</i>	
Parallel	NA
Satellite	NA
Conventional	NA



Defrost Data

Frequency Hrs	NA
<i>ELECTRIC</i>	
Temp Term °F	NA
Failsafe Min	NA
<i>REVERSE AIR</i>	
Temp Term °F	NA
Failsafe Min	NA
<i>GAS</i>	
Duration Min	NA
<i>OFFTIME</i>	
Duration Min	NA



● Electrical Service	Dimension	59" Case	78" Case
○ Waste Outlet	A	59	78
	B	29 1/2	39

Conventional Controls

Low Pressure Backup Control	
CI/CO (PSIG)	
R-22 NA	R-502 NA
Indoor Condenser only, Pressure	
Defrost Termination (PSIG)	
R-22 NA	R-502 NA

Physical Data

Merchandiser		
Drip Pipe (in.)		3/4
Liquid Line (in.)		NA
Suction Line (in.)		NA
Evaporator Estimated Charge		
Length	R-22	R-502
	(lbs)	(lbs)
59"	NA	NA
78"	NA	NA

**Length Added to Lineup by
Ends and Partitions**

Each End (in.)	1 1/2
Each Regular Partition (in.)	1 1/2

Vision NEBNDT Bakery

Electrical Data

Merchandiser	59In	78In
Number of Fans - Exhaust	2	3

Merchandiser	Amperes		Watts	
	59In	78In	59In	78In
Fans	0.3	0.3	40	40
Enrg Eff Fans (Reverse Air)	NA			
Constant on Anti-sweat Heaters	NA			
Cycling Anti-sweat Heaters	NA			
Min. Circuit Ampacity	0.4	0.4		
With Enrg Eff Fans (Reverse Air)	NA			
Max. Over Current Protection	20	20		
Supplemental Gas Heaters	NA			
208V 1Φ Electric Defrost	NA			
120V 1Φ Supplemental Rev. Air	NA			

Standard Lighting

1 Row Canopy, Interior Front Ledge Light				
Advance	0.75	1.50	90	180
Valmont (GE)	0.80	1.60	88	176
3 Rows Shelf				
Valmont (GE)	0.99	1.41	120	159
Robertson	0.99	0.99	No Listing	No Listing