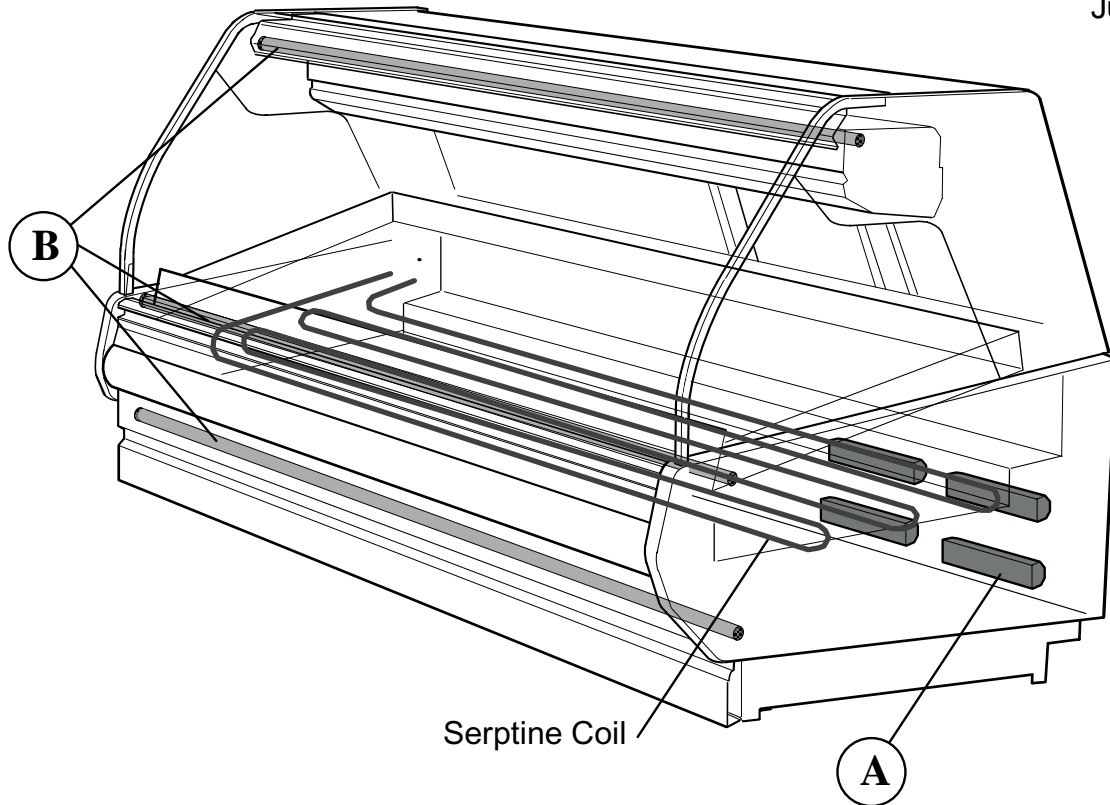


HUSSMANN®
Double Curved Glass
Seafood Merchandisers

NEGCHS
 (Front Modified for Impact)
Data Sheet Set
P/N 404847A

June, 1998



FAN ASSEMBLIES, AND THERMOSTATS

LAMPS AND BALLASTS

Item Part #	Description	Wiring Item #	Item Part #	Description	Wiring Item #
A. 0355716	Ballast 2 lamps Magnetek, B332 I120-RH Advance, REL-3P32-TP	(1)	B. 0355394	Fluorescent Lamp (Front Rail, Front Top, & optional Mezzanine Shelf). F32T8/35K	(3)
A. 0355398	Ballast 3 lamps Magnetek, B332 I120-RH Advance, REL-3P32-TP	(2)		Replace with like fixtures	

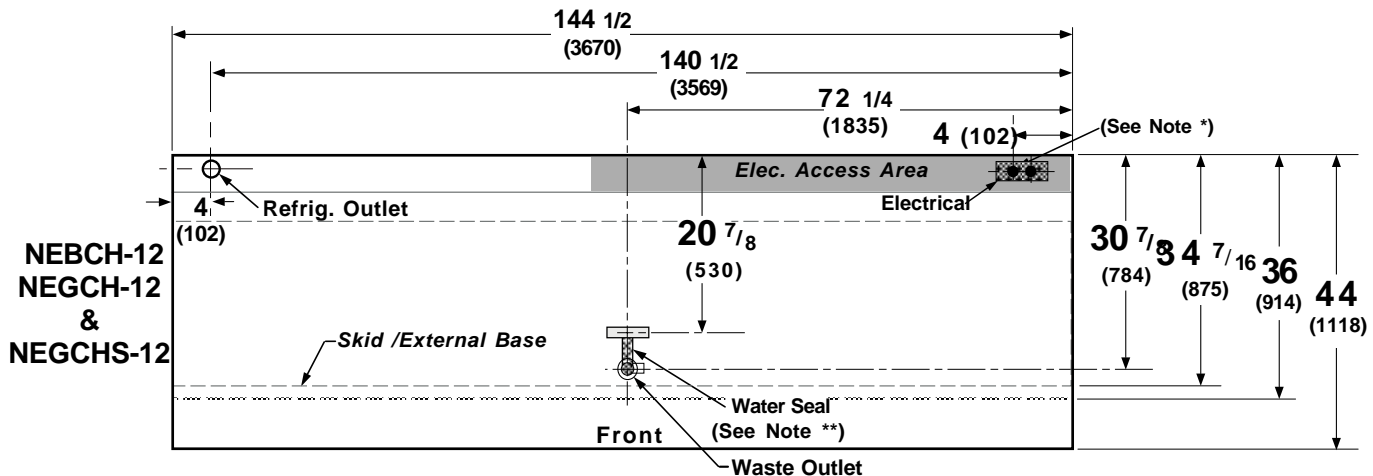
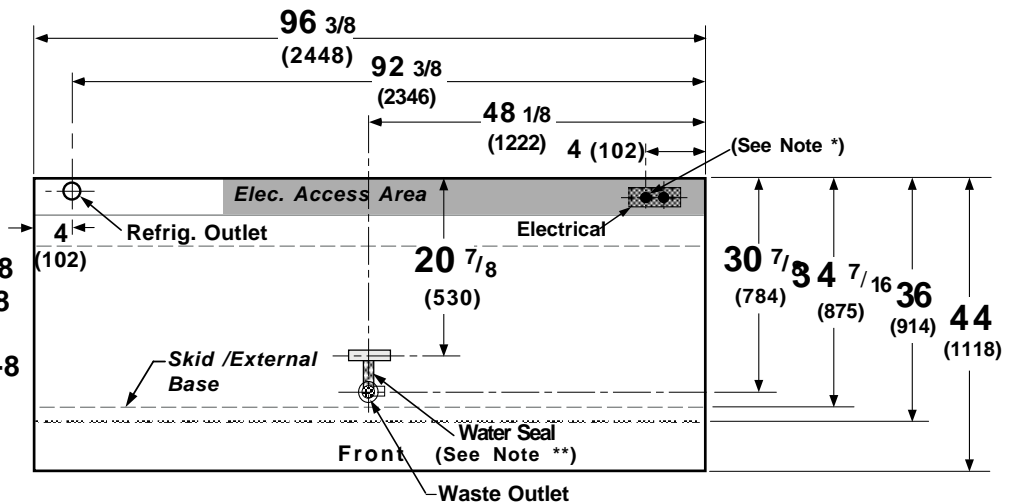
Engineering Plan Views

Dimensions shown in inches & (mm).

**Meat, Delicatessen
& Seafood
Double Curved
Hinged Glass Models**

01/15/98

**NEBCH-8
NEGCH-8
&
NEGCHS-8**



Length of Case---8 Foot > **96 3/8**; 12 Foot > **144 1/2**

Maximum O/S dimensions of case back to front (includes bumper)---- **44**

Back of case to front of splashguard---- **36**

Back of case to O/S edge of front skidrail--- **34 7/16**

Width of skidrail---- **4 1/2**

Electrical Service

Right end of case to center of left knockout---- **4**

Back O/S of case to center of knockout---- **2**

Electrical access area (gray)

Back O/S of case to rear skid---- **3 3/4**

Note *: Electrical Field Wiring Connection Point

Waste Outlet

Right end of case to center

of waste outlet--- 8 Foot-- **48 3/16** ; 12 Foot-- **72 1/4**

Left end of case to center of waste outlet--- 8 Foot --**48 3/16**;

12 Foot-- **72 1/4**

Back O/S of case to center of waste outlet--- **30 7/8**

Water Seal

Center of Tee to center of waste outlet---- **10**

O/S diameter of drip pipe lines---- **1 1/2**

Note** : Field installed water seal outlet, tees, and connectors, are shipped with case.

Refrigeration Outlet

Right end of case to center of L.H. refrigeration outlet----

8 Foot-- **92 3/8**; 12 Foot-- **140 1/2**

IMPACT Modified
NEGCHS
Seafood

REFRIGERATION DATA

	NEGCHS
Discharge Air °F	31°
<small>(See measurement location point on drawing).</small>	
Evaporator °F	21
Unit Sizing °F	19
BTU/HR/FOOT**	NEGCHS
Parallel	265
Satellite	NA
Conventional	280

**For all refrigeration equipment other than Hussmann, use conventional BTU values.

DEFROST DATA

Frequency Hrs	24
----------------------	----

ELECTRIC
Not Recommended

REVERSE AIR
Not Recommended

GAS
Not Recommended

OFFTIME	NEGCHS
Temp Term °F	NA
Failsafe Min	60

CONVENTIONAL CONTROLS

Low Pressure Backup Control	
C/C O (PSIG)	NEGCHS
R-22	37/27
R404A	48/38
R-507	51/41
R-134a	14.5/4.5

Indoor Unit Only, Pressure Defrost Termination (PSIG)

R-22	76	R-134a	43
R404A	100	R-507	105

PHYSICAL DATA

Merchandiser	
Drip Pipe (in.)	1 1/2
Liquid Line (in.)	3/8
Suction Line (in.)	5/8

Estimated Charge (lbs)***

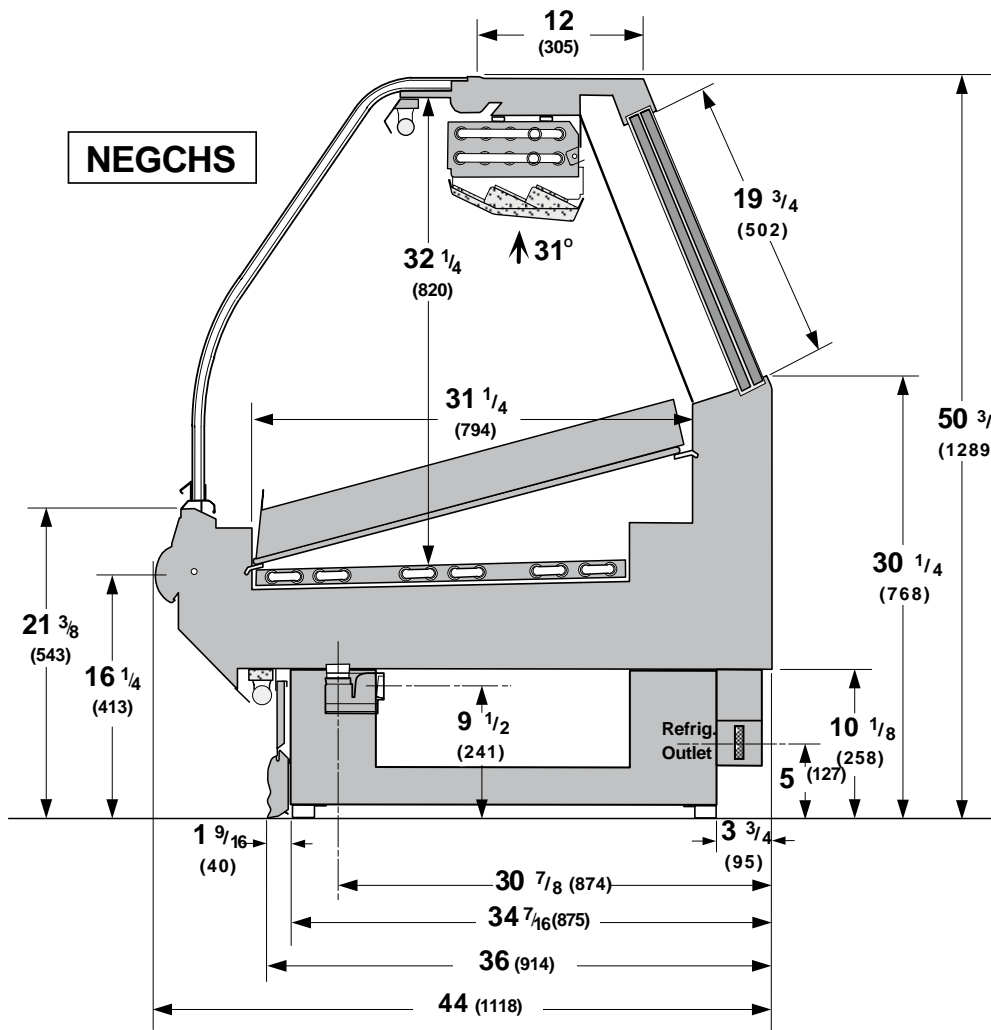
	NEGCHS
8 ft	2.66
12 ft	4.0

***This is an average for all refrigerant types actual refrigerant charge may vary by approximately half a pound.

Length Added to Lineup by Each End (in.)	1 1/2
---	-------

Each Insulated Partition (in.)	1 1/2
---------------------------------------	-------

Dimensions shown in inches & (mm).



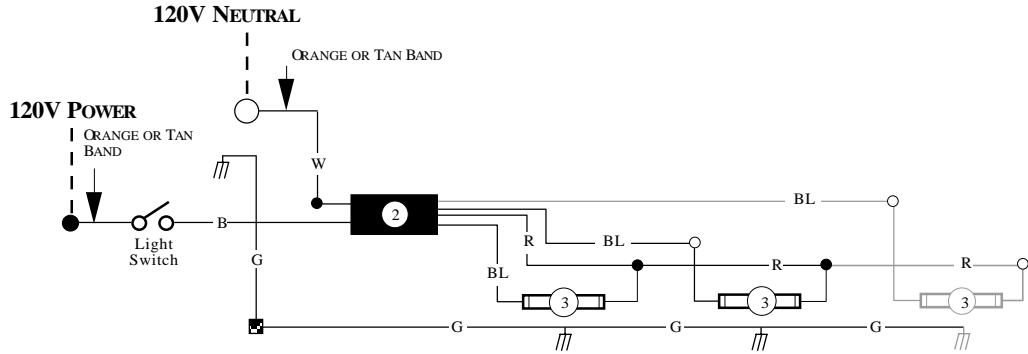
Front Modified for Impact NEGCHS Seafood

Electrical Data

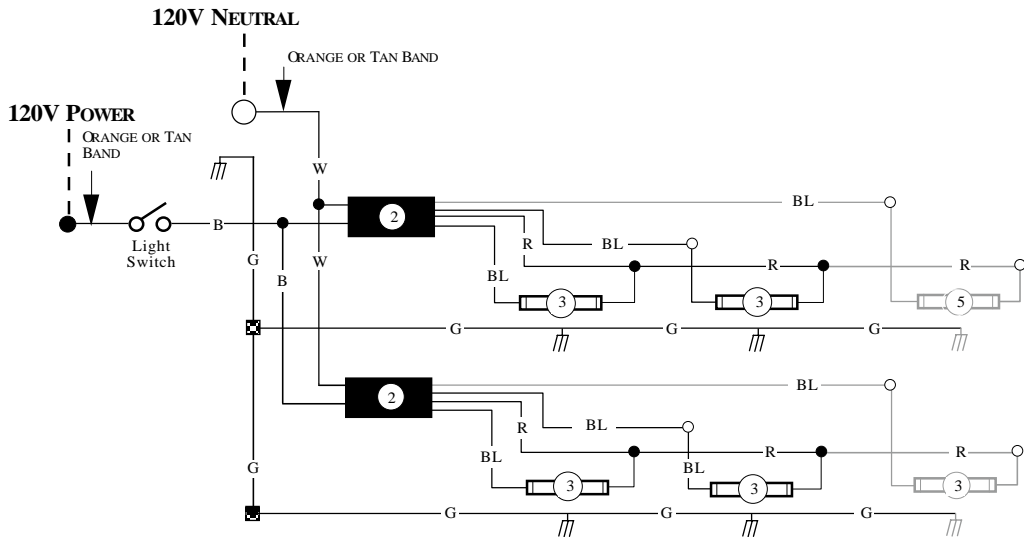
	8Ft	12Ft		
Number of Fans - NA				
	Amperes		Watts	
Merchandiser	8Ft	12Ft	8Ft	12Ft
Fans				
Standard	NA			
Energy Efficient	NA			
Constant on Anti-sweat Heaters	NA			
Cycling Anti-sweat Heaters	NA			
Min. Circuit Ampacity				
With Standard Fans	NA			
With Energy Efficient Fans	NA			
Max. Over Current Protection	20	20		
Supplemental Gas Heaters	NA			
208V 1Φ Electric Defrost	NA			
120V 1Φ Supplemental Rev. Air	NA			
Standard Lighting				
1 Row Front Canopy	0.57	0.75	64	88
1 Rows Rear Canopy	0.57	0.75	64	88
1 Row Rail	NA			
Optional Lighting				
1 Row Ledge Light	0.57	0.75	64	88
Optional Shelf Lighting				
1 Row of Shelves	NA			
2 Rows of Shelves	NA			

Light Circuits

Optional Interior Ledge Lighting, 1 Row



Standard Lighting 2 Row Canopy,



WARNING

All components must have mechanical ground, and the merchandiser must be grounded.
CIRCLED NUMBERS = PARTS LIST ITEM NUMBERS

Grayed components in 12 foot models only.

R = Red G = Green BL = Blue B = Black W = White

● = 120V POWER ○ = 120V NEUTRAL