

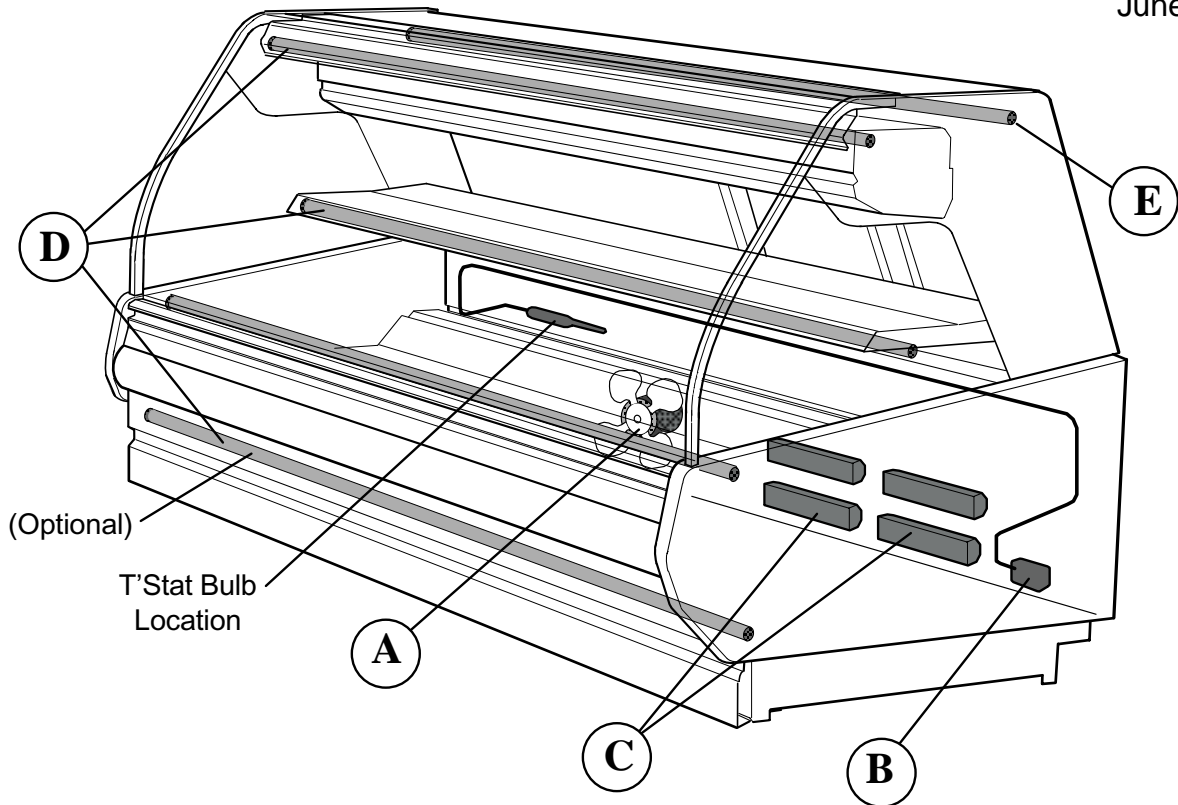
# HUSSMANN®

## *Double Curved Glass*

### Merchandisers

**NEGCH**  
 (Modified Front for Impact)  
**Data Sheet Set**  
**P/N 404846A**

June, 1998



#### FAN ASSEMBLIES, AND THERMOSTATS

#### LAMPS AND BALLASTS

Item	Part #	Description	Wiring Item #	Item	Part #	Description	Wiring Item #
A.	5W Fan Assembly		(1)	D.	0355394	Fluorescent Lamp	(4)
	0392466	Fan Motor, Evaporator 120V, 5W, CW PS2CDB51				(Front Rail, Front Top, & optional Mezzanine Shelf). F32T8/35K	
	0348737	Fan Blade embossing toward motor 4C1875C1 or F4CW5BL				Replace with like fixtures	
B.	0113625	Optional Adjustable Refrigeration Thermostat A19AGD-21	(2)	E.	0355393	Fluorescent Lamp	(5)
						(Top Rear), F25T8/35K Replace with like fixtures	
C.	0355716	Ballast <b>2 lamps</b> Magnetek, B232 I120-RH Advance, REL-3P32-TP	(3)				
C.	0355398	Ballast <b>3 lamps</b> Magnetek, B332 I120-RH Advance, REL-3P32-TP	(3)				

**P/N 404846A**

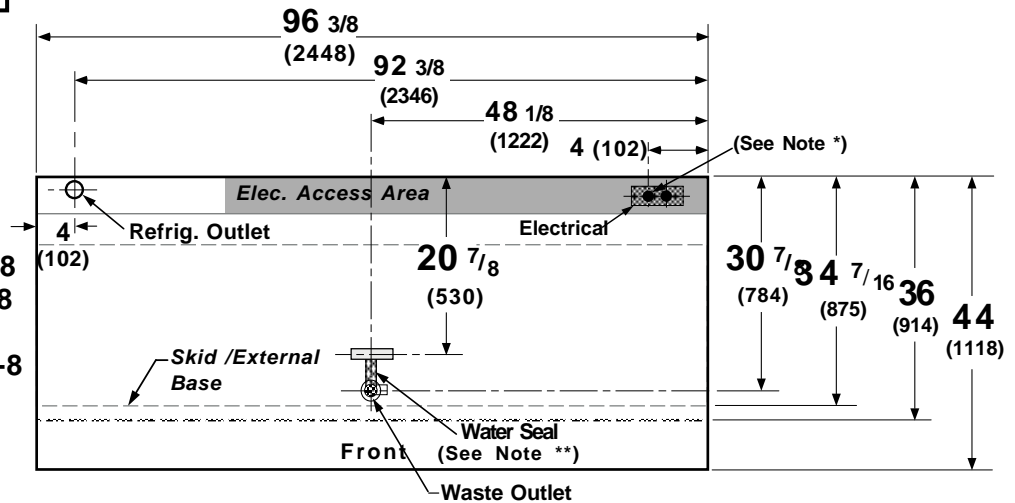
# Engineering Plan Views

Meat & Delicatessen  
Double Curved  
Hinged Glass Models

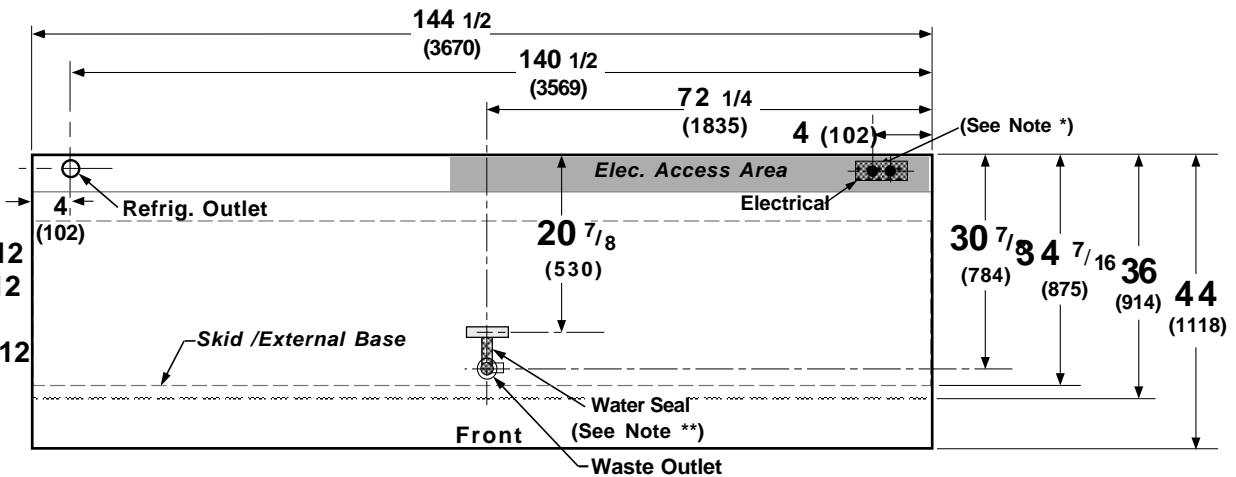
01/15/98

NEBCH-8  
NEGCH-8  
&  
NEGCHS-8

Dimensions shown in inches & (mm).



NEBCH-12  
NEGCH-12  
&  
NEGCHS-12



Length of Case---8 Foot > **96 3/8**; 12 Foot > **144 1/2**

Maximum O/S dimensions of case back to front  
(includes bumper)--- **44**

Back of case to front of splashguard--- **36**

Back of case to O/S edge of front skidrail--- **34 7/16**

Width of skidrail---- **4 1/2**

## Electrical Service

Right end of case to center  
of left knockout---- **4**

Back O/S of case to center of knockout---- **2**

Electrical access area (gray)

Back O/S of case to rear skid---- **3 3/4**

Note \*: Electrical Field Wiring Connection Point

## Waste Outlet

Right end of case to center

of waste outlet--- 8 Foot-- **48 3/16** ; 12 Foot-- **72 1/4**

Left end of case to center of waste outlet--- 8 Foot --**48 3/16**;  
12 Foot-- **72 1/4**

Back O/S of case to center of waste outlet--- **30 7/8**

## Water Seal

Center of Tee to center of waste outlet---- **10**

O/S diameter of drip pipe lines---- **1 1/2**

Note \*\*: Field installed water seal outlet, tees, and connectors,  
are shipped with case.

## Refrigeration Outlet

Right end of case to center of L.H. refrigeration outlet---

8 Foot-- **92 3/8**; 12 Foot-- **140 1/2**

**IMPACT Modified**  
**NEGCH**  
Meat/Delicatessen

**REFRIGERATION DATA**  
**NEGCH**

<b>Discharge Air °F</b>	26
<small>(See measurement location point on drawing).</small>	
<b>Evaporator °F</b>	21
<b>Unit Sizing °F</b>	19
<b>BTU/HR/FOOT**</b>	<b>NEGCH</b>
Parallel	325
Satellite	NA
Conventional	355

\*\*For all refrigeration equipment other than Hussmann, use conventional BTU values.

**DEFROST DATA**

<b>Frequency Hrs</b>	24
<b>ELECTRIC</b>	
Not Recommended	
<b>REVERSE AIR</b>	
Not Recommended	
<b>GAS</b>	
Not Recommended	

<b>OFFTIME</b>	<b>NEGCH</b>
<b>Temp Term °F</b>	NA
<b>Duration Min</b>	90

**CONVENTIONAL CONTROLS**

<b>Low Pressure Backup Control</b>	
<b>C/CO (PSIG)</b>	<b>NEGCH</b>
R-22	37/27
<b>R404A</b>	<b>48/38</b>
R-507	51/41
<b>R-134a</b>	<b>14.5/4.5</b>

**Indoor Unit Only, Pressure Defrost Termination (PSIG)**

R-22	76	R-134a	43
<b>R404A</b>	<b>100</b>		
R-507	105		

**PHYSICAL DATA**

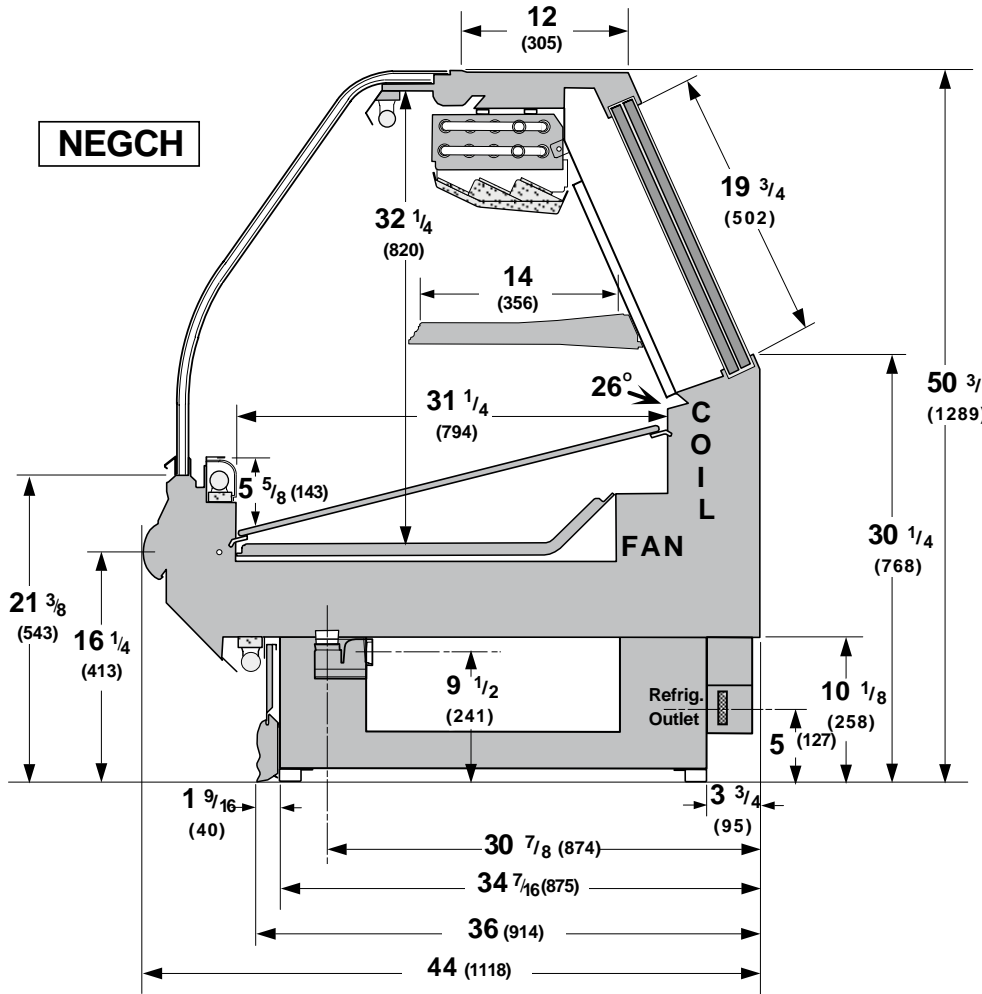
<b>Merchandiser</b>	
<b>Drip Pipe (in.)</b>	1 1/2
<b>Liquid Line (in.)</b>	3/8
<b>Suction Line (in.)</b>	5/8

<b>Estimated Charge (lbs)***</b>	
	<b>NEGCH</b>
<b>8 ft</b>	1.8
<b>12 ft</b>	2.7

\*\*\*This is an average for all refrigerant types actual refrigerant charge may vary by approximately half a pound.

<b>Length Added to Lineup by</b>	
<b>Each End (in.)</b>	1 1/2
<b>Each Insulated Partition (in.)</b>	1 1/2

Dimensions shown in inches & (mm).



# IMPACT NEGCH

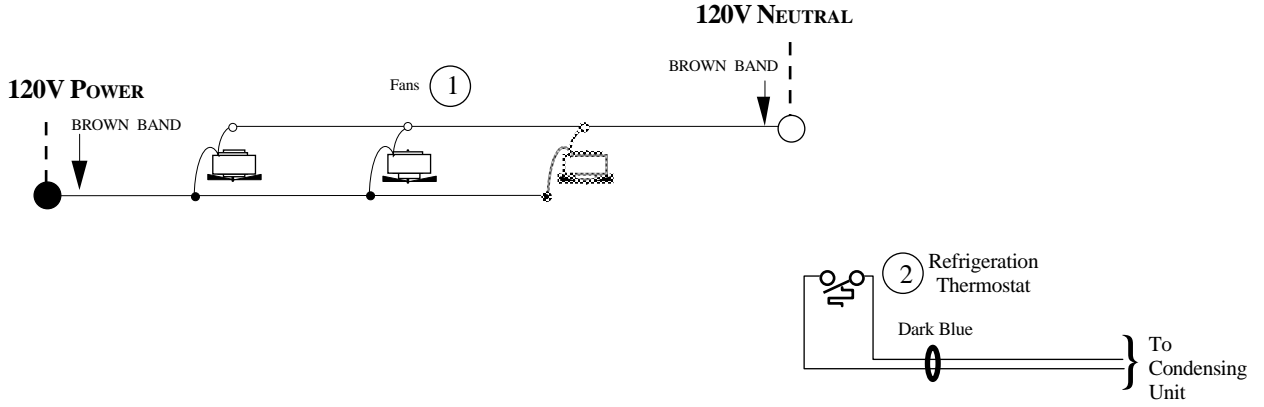
Meat/Delicatessen

## Electrical Data

	<b>8Ft</b>	<b>12Ft</b>		
<b>Number of Fans – 5W</b>	<b>2</b>	<b>3</b>		
		<b>Amperes</b>		<b>Watts</b>
<b>Merchandiser</b>	<b>8Ft</b>	<b>12Ft</b>	<b>8Ft</b>	<b>12Ft</b>
<b>Fans</b>				
Standard	0.28	0.42	32	48
Energy Efficient	NA			
Constant on Anti-sweat Heaters	NA			
Cycling Anti-sweat Heaters	NA			
<b>Min. Circuit Ampacity</b>				
With Standard Fans	0.48	0.62		
With Energy Efficient Fans	NA			
<b>Max. Over Current Protection</b>	20	20		
Supplemental Gas Heaters	NA			
<b>208V 1Φ Electric Defrost</b>	NA			
<b>120V 1Φ Supplemental Rev. Air</b>	NA			
<b>Standard Lighting</b>				
1 Row Front Canopy	0.57	0.75	64	88
1 Rows Rear Canopy	0.57	0.75	64	88
1 Row Rail	0.57	0.75	64	88
<b>Optional Lighting</b>				
1 Row Ledge Light	0.57	0.75	64	88
<b>Optional Shelf Lighting</b>				
1 Row of Shelves	0.57	0.75	64	88
2 Rows of Shelves (NEBCH Merchandisers only)	1.14	1.50	128	176

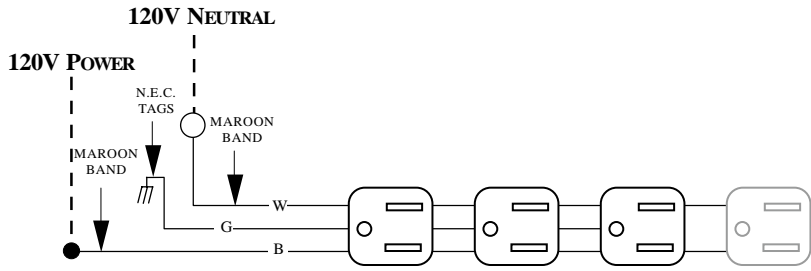
**Fan Wiring  
Offtime Defrost**

**2 & 3 Fans**



**Receptacles**

**Electric Service Receptacles**



**WARNING**

All components must have mechanical ground, and the merchandiser must be grounded.

CIRCLED NUMBERS = PARTS LIST ITEM NUMBERS

Grayed components in 12 foot models only.

R = Red Y = Yellow G = Green BL = Blue B = Black W = White

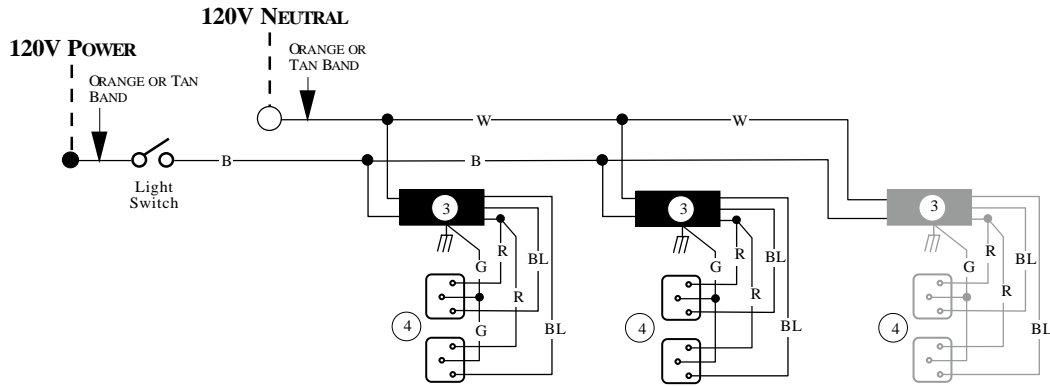
● = 120V POWER

○ = 120V NEUTRAL

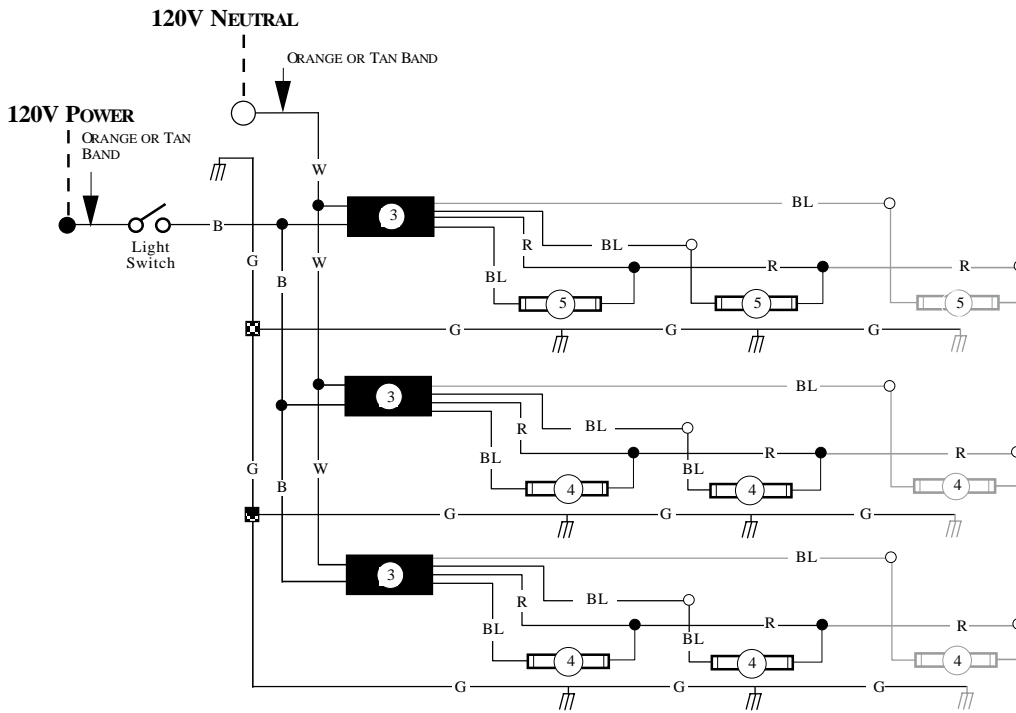
⏏ = Case GROUND

# Light Circuits

## Optional Mezzanine Lighting 2 Rows Canopy



## Standard Lighting 2 Row Canopy, 1 Row Interior Ledge



### WARNING

All components must have mechanical ground, and the merchandiser must be grounded.

CIRCLED NUMBERS = PARTS LIST ITEM NUMBERS

Grayed components in 12 foot models only.

R = Red G = Green BL = Blue B = Black W = White

● = 120V POWER ○ = 120V NEUTRAL