

Single Curved Fixed Glass, 2 Display Levels (including Mezzanine Shelf), Gravity Coil, Rear Sliding Doors

Vision NEGSF
Meat

Refrigeration Data

Discharge Temp °F	24
Evaporator °F	21
Unit Sizing °F	19
<i>BTU/HR/FOOT</i>	
Parallel	422
Satellite	434
Conventional	445

Defrost Data

Frequency Hrs	24
<i>ELECTRIC</i>	
Temp Term °F	NA
Failsafe Min	NA
<i>REVERSE AIR</i>	
Temp Term °F	NA
Failsafe Min	NA
<i>GAS</i>	
Duration Min	NA
<i>OFFTIME</i>	
Duration Min	90

Conventional Controls

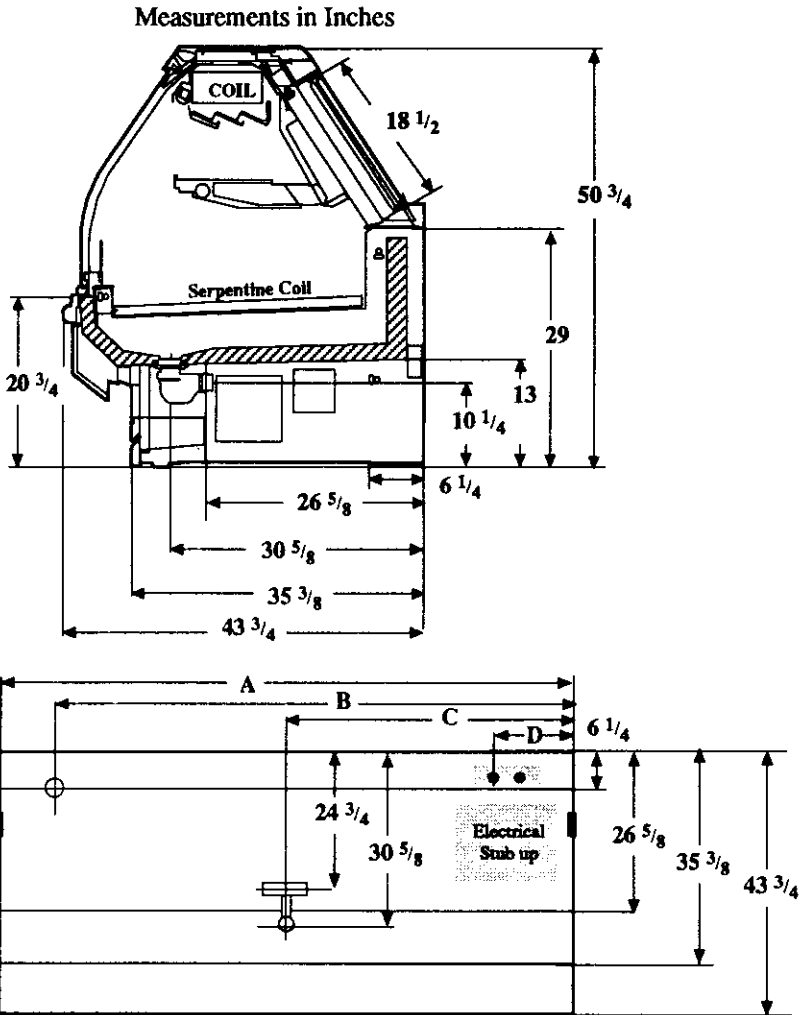
Low Pressure Backup Control	
CI/CO (PSIG)	
R-22 37/27	R-502 45/35
Indoor Condenser only, Pressure Defrost Termination (PSIG)	
R-22 76	R-502 89

Physical Data

Merchandise	
Drip Pipe (in.)	1 1/2
Liquid Line (in.)	3/8
Suction Line (in.)	5/8

Evaporator Estimated Charge		
Length	R-22	R-502
	(lbs)	(lbs)
8'	15	15
12'	22	22

Length Added to Lineup by Ends and Partitions	
Each End (in.)	1 1/2
Each Insulated Partition (in.)	
	1 1/2



Electrical Service	Dimension	8' Case	12' Case
Waste Outlet	A	96 1/4	144 3/8
Refrigeration Outlet	B	84 1/4	138 3/8
Passageway Port	C	48 1/8	72 1/4
	D	8 1/2	8 1/2

Revised 12-15-93

Vision Meat

Electrical Data

Merchandiser	8Ft	12Ft
Number of Fans -	NA	

Merchandiser	Amperes		Watts	
	8Ft	12Ft	8Ft	12Ft
Fans				
Standard	NA			
Energy Efficient Fans	NA			
Reverse Air	NA			
Constant on Anti-sweat Heaters	NA			
Cycling Anti-sweat Heaters	NA			
Supplemental Gas Heaters	NA			
Min. Circuit Ampacity				
With Standard Fans	NA			
With Energy Efficient Fans	NA			
With Reverse Air Fans	NA			
Max. Over Current Protection	20	20		
208V 1Φ Electric Defrost	NA			
120V 1Φ Supplemental Rev. Air	NA			

Standard Lighting*

2 Rows Canopy	[2.8]	[4.2]		
Valmont (GE)	2.12	3.21	150	255

*[] = Serial Plate Amperage includes wire harness for 2 rows of lighted mezzanine shelves.