

Non-refrigerated Seafood, Double Curved Hinged Glass,  
Single Display Level, Rear Sliding Doors

Vision **NESDH**  
Seafood

**Refrigeration Data**

Product Temp °F	NA
Evaporator °F	NA
Unit Sizing °F	NA
<i>BTU/HR/FOOT</i>	
Parallel	NA
Satellite	NA
Conventional	NA

**Defrost Data**

Frequency Hrs	NA
<i>ELECTRIC</i>	
Temp Term °F	NA
Failsafe Min	NA
<i>REVERSE AIR</i>	
Temp Term °F	NA
Failsafe Min	NA
<i>GAS</i>	
Duration Min	NA
<i>OFFTIME</i>	
Duration Min	NA

**Conventional Controls**

Low Pressure Backup Control	
C1/CO (PSIG)	
R-22 NA	R-502 NA
Indoor Condenser only, Pressure	
Defrost Termination (PSIG)	
R-22 NA	R-502 NA

**Physical Data**

Merchandiser	
Drip Pipe (in.)	1 1/2
Liquid Line (in.)	NA
Suction Line (in.)	NA

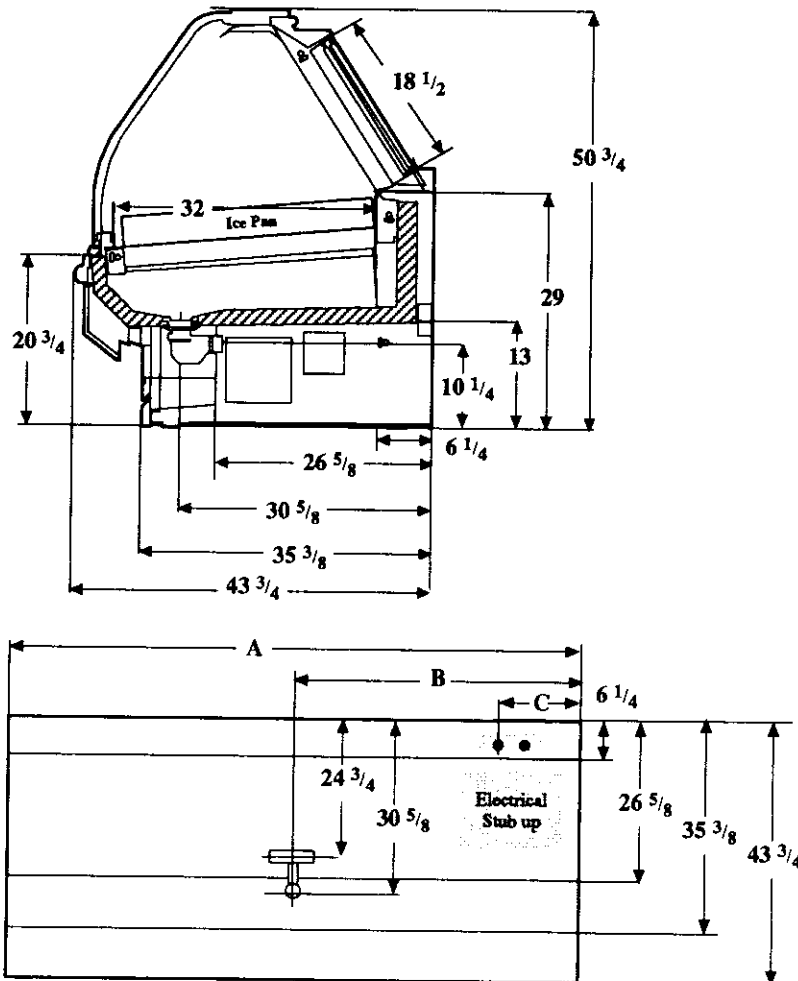
**Evaporator Estimated Charge**

Length	R-22	R-502
	(lbs)	(lbs)
8'	NA	NA
12'	NA	NA

**Length Added to Lineup by  
Ends and Partitions**

Each End (in.)	1 1/2
Each Partition (in.)	1 1/2

Measurements in Inches



	Electrical Service	Dimension	8' Case	12' Case
	Waste Outlet	A	96 1/4	144 3/8
		B	48 1/8	72 1/4
		C	8 1/2	8 1/2

Revised 12-15-93

<b>Vision NESDH</b> <b>Seafood</b>
---------------------------------------

**Electrical Data**

<b>Merchandiser</b>	<b>8Ft</b>	<b>12Ft</b>
Number of Fans -	NA	

<b>Merchandiser</b>	<b>Amperes</b>		<b>Watts</b>	
	<b>8Ft</b>	<b>12Ft</b>	<b>8Ft</b>	<b>12Ft</b>
Fans	NA			
Enrg Eff Fans (Reverse Air)	NA			
Constant on Anti-sweat Heaters	NA			
Cycling Anti-sweat Heaters	NA			
Supplemental Gas Heaters	NA			
Min. Circuit Ampacity	NA			
With Enrg Eff Fans (Reverse Air)	NA			
Max. Over Current Protection	20	20		
<b>208V 1Φ</b> Electric Defrost	NA			
<b>120V 1Φ</b> Supplemental Rev. Air	NA			

**Standard Lighting**

1 Rows Interior				
Valmont (GE)	0.66	0.99	80	120
Robertson	0.66	0.99	No Listing	No Listing