

Single Curved Hinged Glass, Single Display Level,  
Gravity Coil, Rear Sliding Doors

Vision **NESGSH**  
Seafood

**Refrigeration Data**

Discharge Temp °F	26
Evaporator °F	24
Unit Sizing °F	22

*BTU/HR/FOOT*

	Standard Gravity Only	Optional Serpentine Added
Parallel	218	365
Satellite	224	375
Conventional	230	385

**Defrost Data**

Frequency Hrs	24
---------------	----

*ELECTRIC*

Temp Term °F	NA
Failsafe Min	NA

*REVERSE AIR*

Temp Term °F	NA
Failsafe Min	NA

*GAS*

Duration Min	NA
--------------	----

*OFFTIME*

Duration Min	90
--------------	----

**Conventional Controls**

Low Pressure Backup Control	
CI/CO (PSIG)	
R-22 40/30	R-502 49/39

**Indoor Condenser only, Pressure Defrost Termination (PSIG)**

R-22 76	R-502 89
---------	----------

**Physical Data**

**Merchandise**

Drip Pipe (in.)	1 1/2
Liquid Line (in.)	3/8
Suction Line (in.)	5/8

**Evaporator Estimated Charge\***

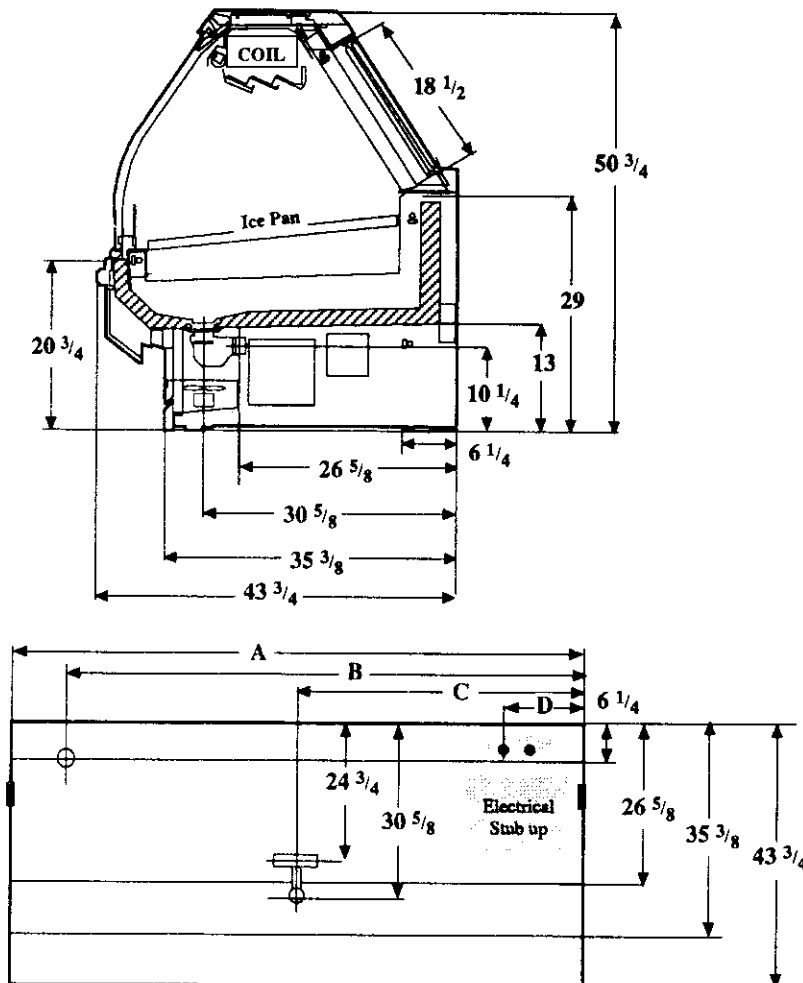
Length	R-22 (lbs)	R-502 (lbs)
8'	10	10
12'	14	14

\*Includes Serpentine Coll

**Length Added to Lineup by Ends and Partitions**

Each End (in.)	1 1/2
Each Partition (in.)	1 1/2

Measurements in Inches



⊕ Electrical Service	<b>Dimension</b>	<b>8' Case</b>	<b>12' Case</b>
⊖ Waste Outlet	A	96 1/4	144 3/8
○ Refrigeration Outlet	B	84 1/4	138 3/8
▬ Passageway Port	C	48 1/8	72 1/4
	D	8 1/2	8 1/2

Revised 12-15-93

**HUSSMANN®**

Revised 12-15-93

<b>Vision NESGSH</b> <b>Seafood</b>
--

**Electrical Data**

<b>Merchandiser</b>	<b>8Ft</b>	<b>12Ft</b>
Number of Fans - Ambient	2	3

<b>Merchandiser</b>	<b>Amperes</b>		<b>Watts</b>	
	<b>8Ft</b>	<b>12Ft</b>	<b>8Ft</b>	<b>12Ft</b>
Fans	1.26	1.89	102	153
Enrg Eff Fans (Reverse Air)	NA			
Constant on Anti-sweat Heaters	NA			
Cycling Anti-sweat Heaters	NA			
Supplemental Gas Heaters	NA			
Min. Circuit Ampacity	1.46	2.09		
With Enrg Eff Fans (Reverse Air)	NA			
Max. Over Current Protection	20	20		
208V 1Φ Electric Defrost	NA			
120V 1Φ Supplemental Rev. Air	NA			

**Standard Lighting**

2 Rows Interior				
Valmont (GE)	2.12	3.21	150	255

Revised 12-15-93

HUSSMANN CORPORATION • BRIDGETON, MO 63044