

Non-refrigerated Seafood, Double Curved Hinged Glass,
Single Display Level, Rear Sliding Doors

Vision **NESSH**
Seafood

Refrigeration Data

Product Temp °F	NA
Evaporator °F	NA
Unit Sizing °F	NA
<i>BTU/HR/FOOT</i>	
Parallel	NA
Satellite	NA
Conventional	NA

Defrost Data

Frequency Hrs	NA
<i>ELECTRIC</i>	
Temp Term °F	NA
Failsafe Min	NA
<i>REVERSE AIR</i>	
Temp Term °F	NA
Failsafe Min	NA
<i>GAS</i>	
Duration Min	NA
<i>OFFTIME</i>	
Duration Min	NA

Conventional Controls

Low Pressure Backup Control	
CI/CO (PSIG)	
R-22 NA	R-502 NA
Indoor Condenser only, Pressure	
Defrost Termination (PSIG)	
R-22 NA	R-502 NA

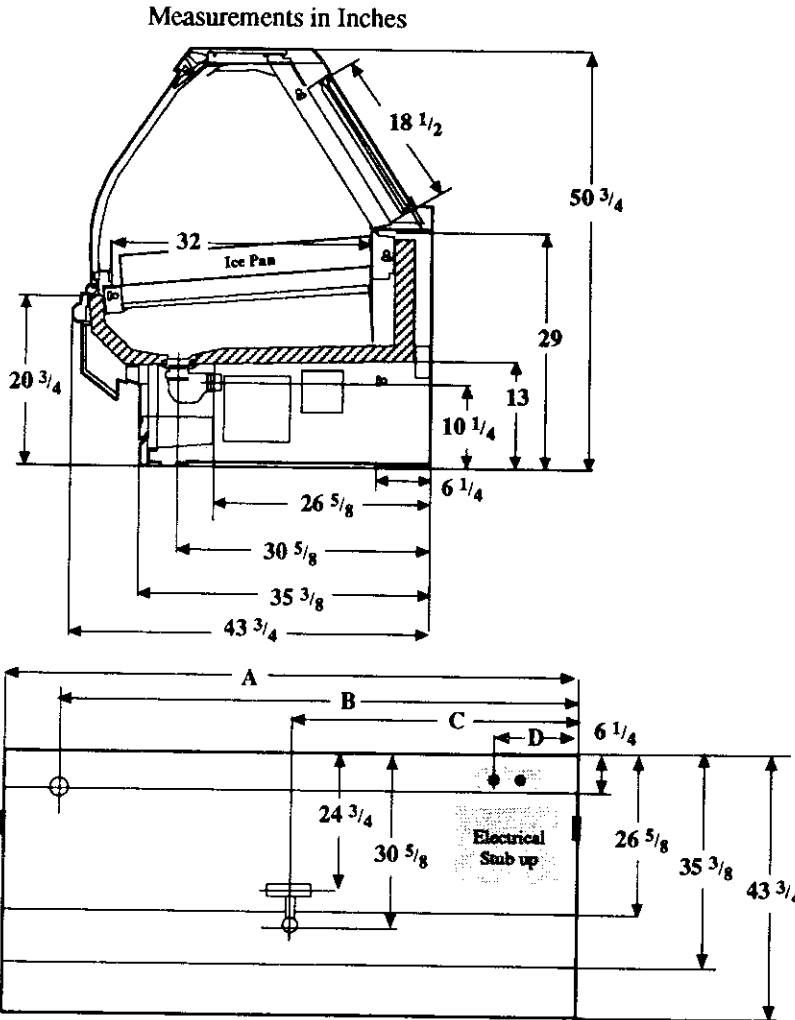
Physical Data

Merchandise	
Drip Pipe (in.)	1 1/2
Liquid Line (in.)	NA
Suction Line (in.)	NA

Evaporator Estimated Charge		
Length	R-22	R-502
	(lbs)	(lbs)
8'	NA	NA
12'	NA	NA

**Length Added to Lineup by
Ends and Partitions**

Each End (in.)	1 1/2
Each Partition (in.)	1 1/2



Electrical Service	Dimension	8' Case	12' Case
Waste Outlet	A	96 1/4	144 3/8
Refrigeration Outlet	B	84 1/4	138 3/8
Passageway Port	C	48 1/8	72 1/4
	D	8 1/2	8 1/2

Revised 12-15-93

Vision NESSH Seafood
--

Electrical Data

Merchandiser	8Ft	12Ft
Number of Fans -	NA	

Merchandiser	Amperes		Watts	
	8Ft	12Ft	8Ft	12Ft
Fans	NA			
Enrg Eff Fans (Reverse Air)	NA			
Constant on Anti-sweat Heaters	NA			
Cycling Anti-sweat Heaters	NA			
Supplemental Gas Heaters	NA			
Min. Circuit Ampacity	NA			
With Enrg Eff Fans (Reverse Air)	NA			
Max. Over Current Protection	20	20		
208V 1Φ Electric Defrost	NA			
120V 1Φ Supplemental Rev. Air	NA			

Standard Lighting

1 Rows Interior				
Valmont (GE)	0.66	0.99	80	120
Robertson	0.66	0.99	No Listing	No Listing

Revised 12-15-93

HUSSMANN CORPORATION • BRIDGETON, MO 63044