

Single Level Wall Display

Vision NF1
Meat

Refrigeration Data

Discharge Air °F	20	22	*24
Evaporator °F	14	16	18
Unit Sizing °F	12	14	16

<i>BTU/HR/FOOT</i>			
Parallel	255	250	240
Satellite	260	255	245
Conventional	270	260	255

* Hussmann recommends.

Defrost Data

Frequency Hrs	24
<i>ELECTRIC</i>	
Temp Term °F	52
Failsafe Min	60
<i>REVERSE AIR</i>	
Temp Term °F	48
Failsafe Min	60
<i>GAS</i>	
Duration Min	20
<i>OFFTIME</i>	
Duration Min	NA

Conventional Controls

Low Pressure Backup Control		
CI/CO (PSIG)		
R-22	34/24	R-502 42/32

Indoor Condenser only, Pressure Defrost Termination (PSIG)		
R-22	NA	R-502 NA

Physical Data

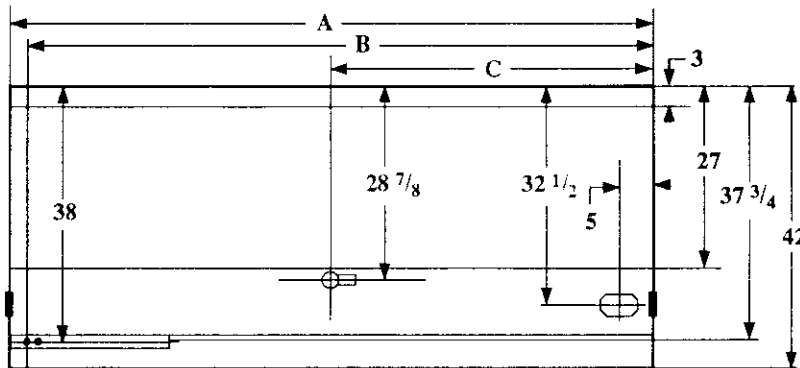
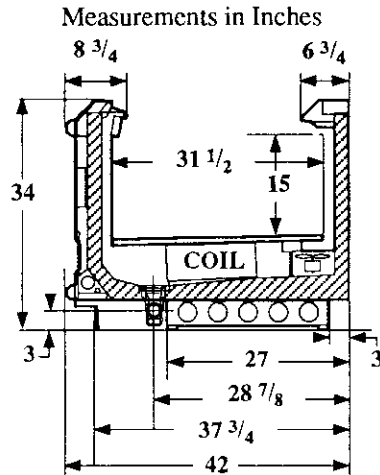
Merchandise	
Drip Pipe (ins)	1 1/2
Liquid Line (ins)	3/8
Suction Line (ins)	7/8

Evaporator Estimated Charge		
Length	R-22	R-502
	(lbs)	(lbs)
8	17	13
12	21	19

Length Added to Lineup by Ends and Partitions

Each End (ins) 1 1/2

Each Insulated Partition (ins) 1 1/2



•••	Electrical Service	Dimension	8' Case	12' Case
○	Waste Outlet	A	96 1/4	144 3/8
○	Refrigeration Outlet	B	93 5/8	141 3/4
I	Passageway Port	C	48 1/8	72 1/4

Vision NF1 Meat

Electrical Data

Merchandiser	8Ft	12Ft		
Number of Fans - Evaporator	2	3		
	Amperes		Watts	
Merchandiser	8Ft	12Ft	8Ft	12Ft
Fans				
Standard	1.20	1.80	80	120
Energy Efficient	0.40	0.60	40	60
Reverse Air	0.62	0.93	60	90
Constant on Anti-sweat Heaters	1.00	1.50	120	180
Cycling Anti-sweat Heaters	NA			
Min. Circuit Ampacity				
With Standard Fans	2.40	3.50		
With Energy Efficient Fans	1.60	2.30		
With Reverse Air Fans	1.82	2.63		
Max. Over Current Protection	20	20		
Supplemental Gas Heaters	0.2	0.2	25	25
208V 1Φ Electric Defrost	8.2	12.1	1706	2517
120V 1Φ Supplemental Rev. Air	6.8	9.9	816	1188

Standard Lighting

None

Revised 12-15-93