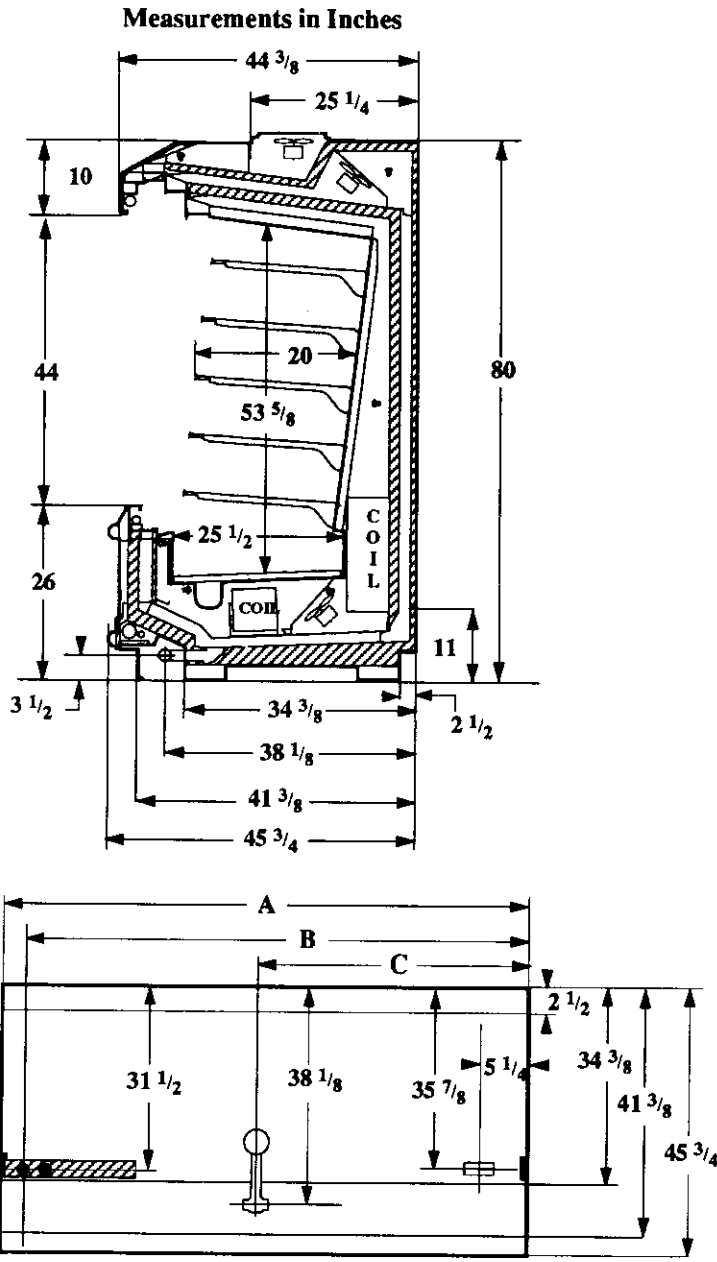


Vision NF6
Frozen Food



Dimension	8' Case	12' Case
A	96 3/8	144 1/2
B	92 1/8	140 1/4
C	48 1/8	72 1/4

Refrigeration Data

Discharge Air °F	-8	*-3
Evaporator °F	-18	-13
Unit Sizing °F	-21	-16

BTU/HR/FOOT	
Parallel	1365 1290
Satellite	Not Applied
Conventional	1570 1485

*Hussmann recommends.

Defrost Data

Frequency Hrs	12
<i>ELECTRIC</i>	
Temp Term °F	54
Failsafe Min	36
<i>REVERSE AIR</i>	
Temp Term °F	48
Failsafe Min	60
<i>GAS</i>	
Duration Min	22
<i>OFFTIME</i>	
Duration Min	NA

Conventional Controls

Low Pressure Backup Control	
CI/CO (PSIG)	
R-22 10/0	R-502 15/5
Indoor Condenser only, Pressure Defrost Termination (PSIG)	
R-22 NA	R-502 NA

Physical Data

Merchandiser		
Drip Pipe (ins)		1 1/4
Liquid Line (ins)		3/8
Suction Line (ins)		1 1/8
Evaporator Estimated Charge		
Length	R-22 (lbs)	R-502 (lbs)
8	24	24
12	36	37

Length Added to Lineup by Ends and Partitions

Each End (ins)	1 1/2
Each Insulated Partition (ins)	1 1/2

Vision NF6 Frozen Food

Electrical Data
Merchandiser

	8Ft	12Ft
Number of Fans - Evaporator	4	6
Ambient Air Curtain	2	3
Non-refrigerated Air Curtain	3	4

Merchandiser	Amperes		Watts	
	8Ft	12Ft	8Ft	12Ft
Fans				
Standard	5.80	8.40	400	580
Standard with Reverse Air	4.24	6.16	320	460
Energy Efficient	2.04	2.96	208	302
Energy Efficient with Reverse Air	2.30	3.36	220	320
Constant on Anti-sweat Heaters	1.8	2.4	216	288
Cycling Anti-sweat Heaters	0.8	1.3	96	156
Min. Circuit Ampacity				
Standard Fans	7.80	11.00		
Standard Fans with Reverse Air	6.24	8.76		
Energy Efficient Fans	4.04	5.56		
Energy Efficient Fans with Reverse Air	4.30	5.96		
Max. Over Current Protection	20	20		
120V 1Φ Supplemental Gas Heaters	4.4	6.6	528	792
208V 3Φ Electric Defrost	15.9	23.9	5158	7634
208V 1Φ Supplemental Rev. Air	2.6	3.9	541	811
Standard Lighting*				
1 Row Canopy				
1 Row Interior Ledge				
Advance	2.15	3.80	257	440
Magnetec/Universal	2.10	3.60	257	514
Valmont(GE)	—	4.20	—	430

Revised 12-15-93