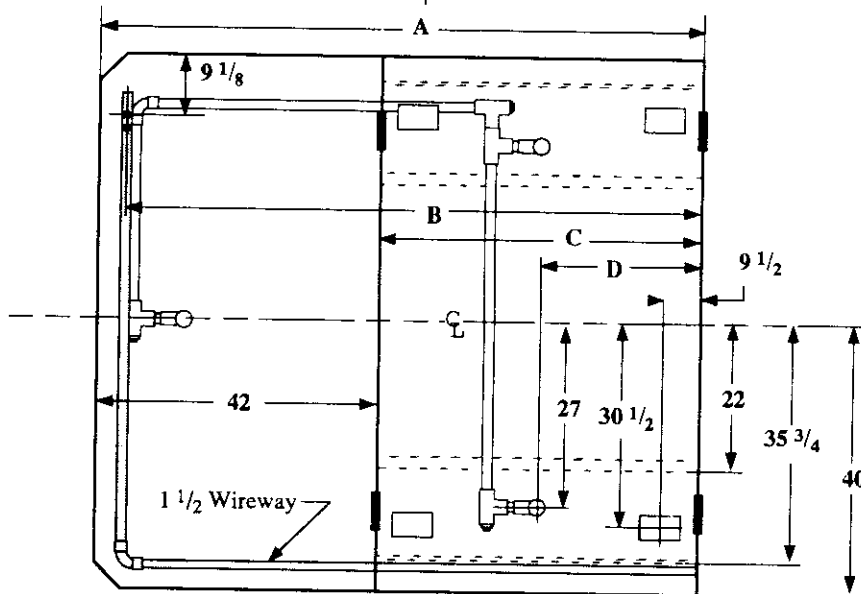
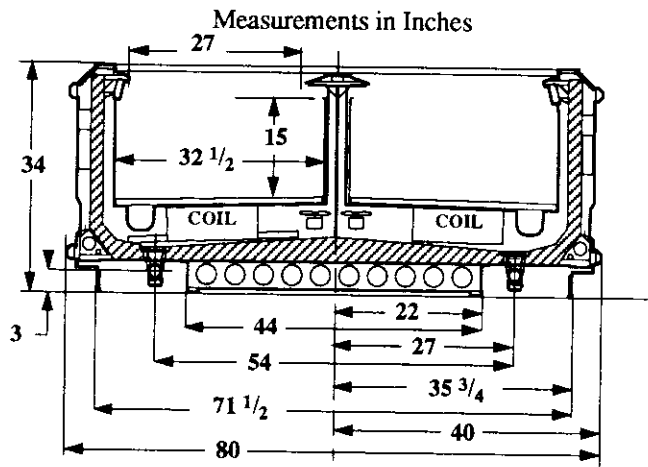


Single Level Wide Island Display, Unitized End and Center

**Vision NFCWE**  
**Frozen Food/Ice Cream**



- Electrical Service
- Waste Outlet
- Refrigeration Outlet
- Passageway Port

Dimension	90" Case	138" Case
A	90 1/4	138 3/8
B	86 1/4	134 3/8
C	48 1/4	96 3/8
D	24 1/8	48 1/4

**Refrigeration Data**

Discharge Air °F	-20	
Evaporator °F	-30	
Unit Sizing °F	-33	
<i>BTU/HR/CASE</i>		
	<b>90</b>	<b>138</b>
Parallel	5180	8140
Satellite	5390	8470
Conventional	5950	9350

**Defrost Data**

Frequency Hrs	24
<i>ELECTRIC</i>	
Temp Term °F	52
Failsafe Min	60
<i>REVERSE AIR</i>	
Temp Term °F	48
Failsafe Min	90
<i>GAS</i>	
Duration Min	24
<i>OFFTIME</i>	
Duration Min	NA

**Conventional Controls**

Low Pressure Backup Control	
C/CO (PSIG)	
R-22 7/0	R-502 7/0
Indoor Condenser only, Pressure Defrost Termination (PSIG)	
R-22 NA	R-502 NA

**Physical Data**

Merchandiser	
Drip Pipe (ins)	1 1/2
Liquid Line (ins)	3/8
Suction Line (ins)	7/8

**Evaporator Estimated Charge**

Length	R-22 (lbs)	R-502 (lbs)
<b>90</b>	17	13
<b>138</b>	21	19

**Length Added to Lineup by Ends and Partitions**

Each End (ins)	1 1/2
Each Insulated Partition (ins)	1 1/2

<b>Vision NFCWE</b> <b>Frozen Food/Ice Cream</b>
---

**Electrical Data**

**Merchandiser**

Number of Fans - Evaporator

<b>90In.</b>	<b>138In.</b>
3	5

**Merchandiser**

Fans

Standard

Energy Efficient

Reverse Air

Constant on Anti-sweat Heaters

Cycling Anti-sweat Heaters

Min. Circuit Ampacity

With Standard Fans

With Energy Efficient Fans

With Reverse Air Fans

Max. Over Current Protection

Supplemental Gas Heaters

208V Electric Defrost

Supplemental Rev. Air

<b>Amperes</b>	
<b>90In.</b>	<b>138In.</b>

<b>Watts</b>	
<b>90In.</b>	<b>138In.</b>

1.80	3.00
------	------

0.60	1.00
------	------

0.93	1.65
------	------

3.30	5.50
------	------

NA

5.30	8.70
------	------

4.10	6.70
------	------

4.43	7.35
------	------

20	20
----	----

0.5	0.5
-----	-----

13.1	21.5
------	------

11.4	18.7
------	------

120	200
-----	-----

60	100
----	-----

90	150
----	-----

396	660
-----	-----

60	60
----	----

2725	4472
------	------

1368	2248
------	------

**Standard Lighting**

None

Revised 12-15-93