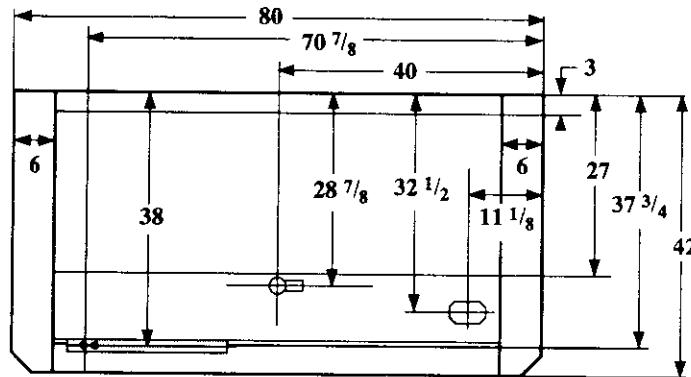
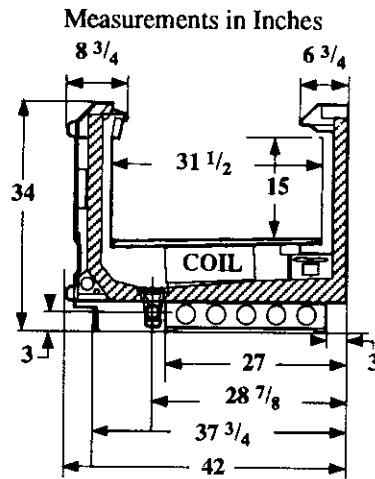


Single Level Free Standing End Island Display

**Vision NFFS**  
**Frozen Food**

**Refrigeration Data**

Discharge Air °F	-10
Evaporator °F	-20
Unit Sizing °F	-23
<i>BTU/HR/FOOT</i>	
Parallel	275
Satellite	Not Applied
Conventional	315



- Electrical Service
- Waste Outlet
- Refrigeration Outlet
- Passageway Port

**Defrost Data**

Frequency Hrs	24
<i>ELECTRIC</i>	
Temp Term °F	52
Failsafe Min	60
<i>REVERSE AIR</i>	
Temp Term °F	48
Failsafe Min	90
<i>GAS</i>	
Duration Min	20
<i>OFFTIME</i>	
Duration Min	NA

**Conventional Controls**

Low Pressure Backup Control		
CI/CO (PSIG)		
R-22 7/0	R-502	11/0
Indoor Condenser only, Pressure		
Defrost Termination (PSIG)		
R-22 NA	R-502	NA

**Physical Data**

Merchandise		
Drip Pipe (ins)		1 1/2
Liquid Line (ins)		3/8
Suction Line (ins)		7/8
Evaporator Estimated Charge		
Length	R-22	R-502
	(lbs)	(lbs)
6	12	10

**Length Added to Lineup by  
Ends and Partitions**

Each End (ins)	1 1/2
<b>Each Insulated</b>	
Partition (ins)	1 1/2

<b>Vision NFFS</b> <b>Frozen Food</b>
--

**Electrical Data**

**Merchandiser**

Number of Fans - Evaporator

**End**  
1

**Merchandiser**

**Amperes**  
**End**

**Watts**  
**End**

**Fans**

Standard

0.60

40

Energy Efficient

0.20

20

Reverse Air

0.31

30

Constant on Anti-sweat Heaters

1.10

132

Cycling Anti-sweat Heaters

NA

**Min. Circuit Ampacity**

With Standard Fans

1.90

With Energy Efficient Fans

1.50

With Reverse Air Fans

1.61

**Max. Over Current Protection**

20

Supplemental Gas Heaters

0.2

25

**208V 1Φ Electric Defrost**

9.9

1088

**120V 1Φ Supplemental Rev. Air**

5.2

624

**Standard Lighting**

None

Revised 12-15-93