

Single Level Free Standing End Island Display

**Vision NFFS**  
Meat

**Refrigeration Data**

Discharge Air °F	24
Evaporator °F	18
Unit Sizing °F	16

<i>BTU/HR/FOOT</i>	
Parallel	240
Satellite	245
Conventional	255

**Defrost Data**

Frequency Hrs	24
---------------	----

<i>ELECTRIC</i>	
Temp Term °F	52
Failsafe Min	60

<i>REVERSE AIR</i>	
Temp Term °F	48
Failsafe Min	60

<i>GAS</i>	
Duration Min	20

<i>OFFTIME</i>	
Duration Min	NA

**Conventional Controls**

Low Pressure Backup Control	
CI/CO (PSIG)	
R-22 34/24	R-502 42/32

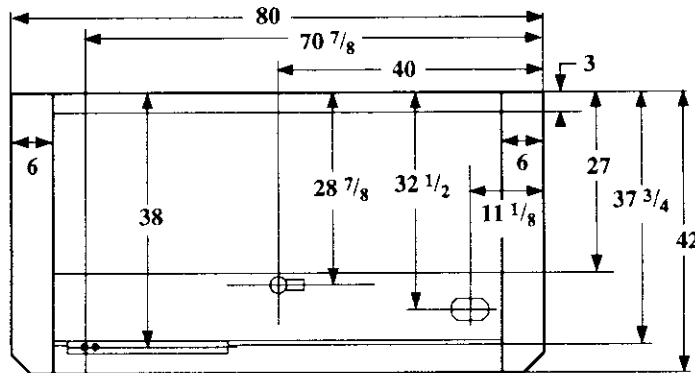
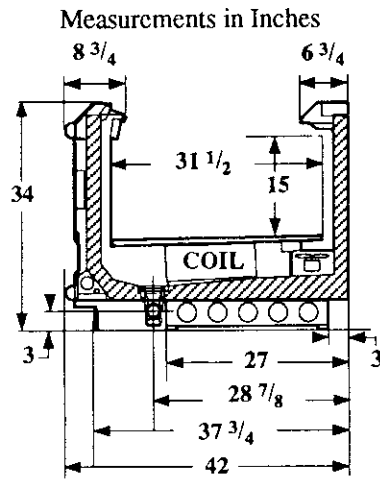
Indoor Condenser only, Pressure Defrost Termination (PSIG)	
R-22 NA	R-502 NA

**Physical Data**

<b>Merchandiser</b>	
Drip Pipe (ins)	1 1/2
Liquid Line(ins)	3/8
Suction Line(ins)	7/8

<b>Evaporator Estimated Charge</b>		
Length	R-22	R-502
	(lbs)	(lbs)
6	12	10

<b>Length Added to Lineup by Ends and Partitions</b>	
Each End(ins)	NA
Each Insulated Partition(ins)	NA



- Electrical Service
- Waste Outlet
- Refrigeration Outlet
- Passageway Port

**Vision NFFS****Meat****Electrical Data****Merchandiser**

Number of Fans - Evaporator

**End**

1

**Amperes****Watts****Merchandiser****End****End**

## Fans

Standard

0.60

40

Energy Efficient

0.20

20

Reverse Air

0.31

30

Constant on Anti-sweat Heaters

1.10

132

Cycling Anti-sweat Heaters

NA

## Min. Circuit Ampacity

With Standard Fans

1.90

With Energy Efficient Fans

1.50

With Reverse Air Fans

1.61

Max. Over Current Protection

20

Supplemental Gas Heaters

0.2

25

208V 1 $\Phi$  Electric Defrost

9.9

1088

120V 1 $\Phi$  Supplemental Rev. Air

5.2

624

**Standard Lighting**

None