

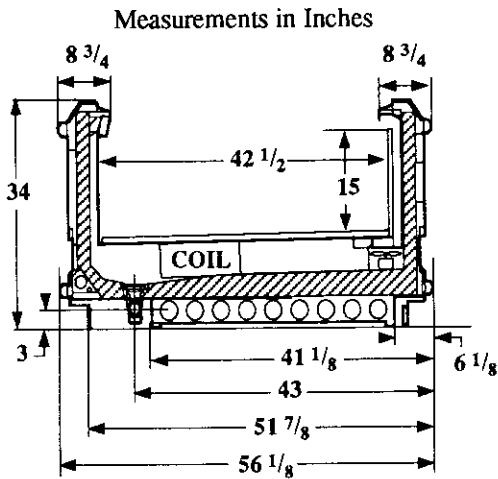
Single Level Intermediate Island Display

Vision NFN
Meat

Refrigeration Data

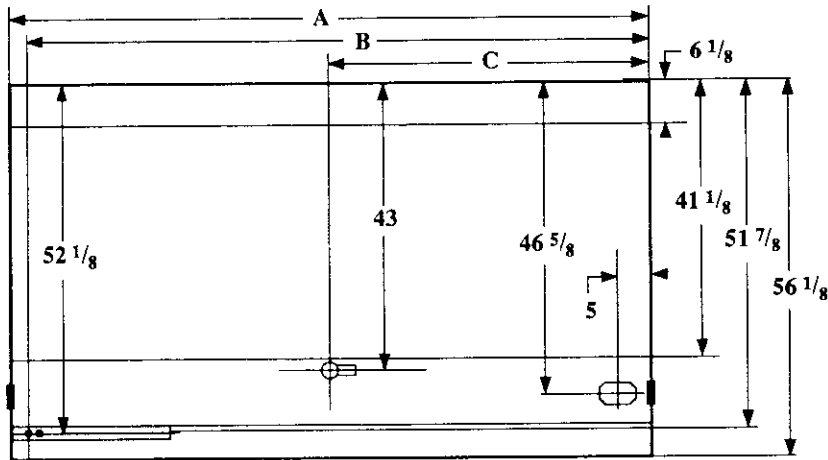
Discharge Air °F	20	22	*24
Evaporator °F	14	16	18
Unit Sizing °F	12	14	16
BTU/HR/FOOT			
Parallel	335	325	320
Satellite	345	335	325
Conventional	355	345	335

* Hussmann recommends.



Defrost Data

Frequency Hrs	24
ELECTRIC	
Temp Term °F	52
Failsafe Min	60
REVERSE AIR	
Temp Term °F	48
Failsafe Min	60
GAS	
Duration Min	20
OFFTIME	
Duration Min	NA



Conventional Controls

Low Pressure Backup Control	
CI/CO (PSIG)	
R-22 34/24	R-502 42/32
Indoor Condenser only, Pressure Defrost Termination (PSIG)	
R-22 NA	R-502 NA

Physical Data

Merchandise	
Drip Pipe (ins)	1 1/2
Liquid Line (ins)	3/8
Suction Line (ins)	7/8

Evaporator Estimated Charge		
Length	R-22 (lbs)	R-502 (lbs)
8	17	13
12	21	19

Length Added to Lineup by Ends and Partitions	
Each End (ins)	1 1/2
Each Insulated Partition (ins)	
	1 1/2

	Electrical Service	Dimension	8' Case	12' Case
	Waste Outlet	A	96 1/4	144 3/8
	Refrigeration Outlet	B	93 5/8	141 3/4
	Passageway Port	C	48 1/8	72 1/4

Vision NFN Meat

Electrical Data

Merchandiser	8Ft	12Ft		
Number of Fans - Evaporator	2	3		
	Amperes		Watts	
Merchandiser	8Ft	12Ft	8Ft	12Ft
Fans				
Standard	1.20	1.80	80	120
Energy Efficient	0.40	0.60	40	60
Reverse Air	0.62	0.93	60	90
Constant on Anti-sweat Heaters	0.70	1.00	84	120
Cycling Anti-sweat Heaters	NA			
Min. Circuit Ampacity				
With Standard Fans	2.10	3.00		
With Energy Efficient Fans	1.30	1.80		
With Reverse Air Fans	1.52	2.13		
Max. Over Current Protection	20	20		
Supplemental Gas Heaters	0.2	0.2	25	25
208V 1Φ Electric Defrost	10.5	15.7	2184	3266
120V 1Φ Supplemental Rev. Air	9.0	13.2	1080	1584

Standard Lighting

None

Revised 12-15-93