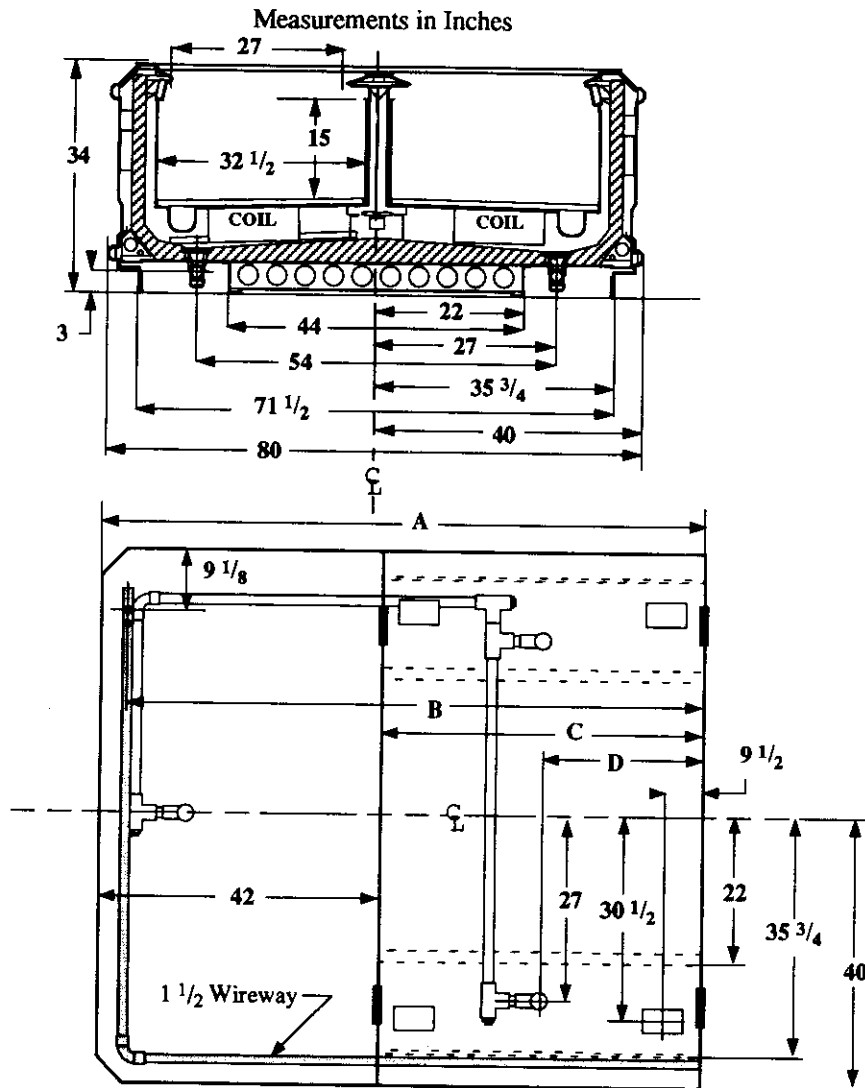


Single Level Wide Island Display, End and Center Unitized

Vision NFWE
Frozen Food



Refrigeration Data

Discharge Air °F	-10
Evaporator °F	-20
Unit Sizing °F	-23
<i>BTU/HR/CASE</i>	
Parallel	90 138
	3850 6050
Satellite	Not Applied
Conventional	4410 6930

Defrost Data

Frequency Hrs	24
<i>ELECTRIC</i>	
Temp Term °F	52
Failsafe Min	60
<i>REVERSE AIR</i>	
Temp Term °F	48
Failsafe Min	90
<i>GAS</i>	
Duration Min	20
<i>OFFTIME</i>	
Duration Min	NA

Conventional Controls

Low Pressure Backup Control	
C/CO (PSIG)	
R-22	7/0
R-502	11/0

Indoor Condenser only, Pressure Defrost Termination (PSIG)

R-22	NA
R-502	NA

	Electrical Service	Dimension	90" Case	138" Case
	Waste Outlet	A	90 1/4	138 3/8
	Refrigeration Outlet	B	86 1/4	134 3/8
	Passageway Port	C	48 1/4	96 3/8
		D	24 1/8	48 1/4

Physical Data

Merchandise	
Drip Pipe (ins)	1 1/2
Liquid Line (ins)	3/8
Suction Line (ins)	7/8

Evaporator Estimated Charge

Length	R-22	R-502
	(lbs)	(lbs)
90	47	36
138	53	48

Length Added to Lineup by Ends and Partitions

Each End (ins)	1 1/2
Each Insulated	
Partition (ins)	1 1/2

Vision NFWE Frozen Food
--

Electrical Data

Merchandiser	90In	138In		
Number of Fans - Evaporator	2	3		
	Amperes		Watts	
Merchandiser	90In	138In	90In	138In
Fans				
Standard	1.20	1.80	80	120
Energy Efficient	0.40	0.60	40	60
Reverse Air)	0.62	0.93	60	90
Constant on Anti-sweat Heaters	3.30	5.50	396	660
Cycling Anti-sweat Heaters	1.4	2.9	168	348
Min. Circuit Ampacity				
With Standard Fans	4.70	7.50		
With Energy Efficient Fans	3.90	6.30		
With Reverse Air Fans	4.12	6.63		
Max. Over Current Protection	20	20		
Supplemental Gas Heaters	0.5	0.5	60	60
208V 1Φ Electric Defrost	13.1	21.5	2725	4472
120V 1Φ Supplemental Rev. Air	11.4	18.7	1368	2248

Standard Lighting

None

Revised 12-15-93