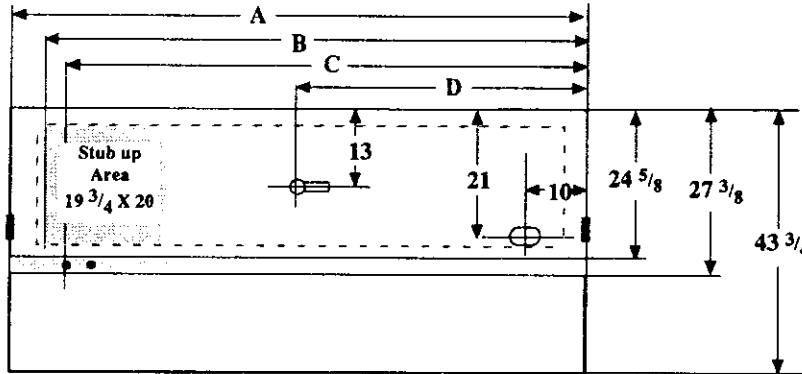
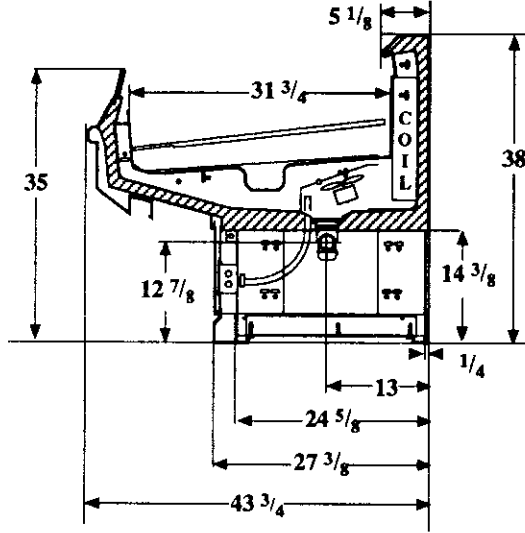


Single Deck, 1 Display Level, with Front Glass

Vision NM1G
Delicatessen

Measurements in Inches



| | Electrical Service | Dimension | 8' Case | 12' Case |
|--|----------------------|-----------|---------|----------|
| | Waste Outlet | A | 96 3/8 | 144 1/2 |
| | Refrigeration Outlet | B | 90 3/8 | 138 1/2 |
| | Passageway Port | C | 86 3/8 | 134 1/2 |
| | | D | 48 1/8 | 72 1/4 |

Refrigeration Data

| | |
|--------------------|-----------------------------------|
| Discharge Air °F | 30 |
| Evaporator °F | 25 |
| Unit Sizing °F | 23 |
| BTU/HR/FOOT | |
| Parallel | 285 |
| Satellite | 290 |
| Conventional | 300 |
| Fan Cycling | CI/CO 28/38°F Gas Defrost only |

Defrost Data

| | |
|--------------------|----|
| Frequency Hrs | 12 |
| ELECTRIC | |
| Temp Term °F | 48 |
| Failsafe Min | 46 |
| REVERSE AIR | |
| Temp Term °F | 48 |
| Failsafe Min | 70 |
| GAS | |
| Duration Min | 14 |
| OFFTIME | |
| Duration Min | 70 |

Conventional Controls

| | |
|---|-------------|
| Low Pressure Backup Control | |
| CI/CO (PSIG) | |
| R-22 41/31 | R-502 50/40 |
| Indoor Condenser only, Pressure Defrost Termination (PSIG) | |
| R-22 77 | R-502 90 |

Physical Data

| | |
|---------------------|-------|
| Merchandiser | |
| Drip Pipe (ins) | 1 1/2 |
| Liquid Line (ins) | 3/8 |
| Suction Line (ins) | 7/8 |

| Evaporator Estimated Charge | | |
|------------------------------------|------------|-------------|
| Length | R-22 (lbs) | R-502 (lbs) |
| 8 | 7 | 11 |
| 12 | 10 | 15 |

Length Added to Lineup by Ends and Partitions

| | |
|--------------------------------|-------|
| Each End (ins) | 1 1/2 |
| Each Insulated Partition (ins) | 1 1/2 |

| |
|---|
| Vision NM1G Delicatessen |
|---|

Electrical Data

| Merchandiser | 8Ft | 12Ft | Watts | |
|--------------------------------|---------|------|-------|------|
| | | | 8Ft | 12Ft |
| Number of Fans - Evaporator | 1 | 2 | | |
| | Amperes | | | |
| Merchandiser | 8Ft | 12Ft | 8Ft | 12Ft |
| Fans | | | | |
| Standard Fans | 0.60 | 1.20 | 40 | 80 |
| Energy Efficient Fans | 0.20 | 0.40 | 20 | 40 |
| Reverse Air | 0.31 | 0.62 | 30 | 60 |
| Constant on Anti-sweat Heaters | NA | | | |
| Cycling Anti-sweat Heaters | 0.8 | 1.0 | 96 | 120 |
| Min. Circuit Ampacity | | | | |
| With Standard Fans | 0.80 | 1.40 | | |
| With Energy Efficient Fans | 0.40 | 0.60 | | |
| With Reverse Air | 0.51 | 0.82 | | |
| Max. Over Current Protection | 20 | 20 | | |
| Supplemental Gas Heaters | NA | | | |
| 208V 1Φ Electric Defrost | 5.2 | 7.8 | 1082 | 1622 |
| 120V 1Φ Supplemental Rev. Air | NA | | | |

Standard Lighting

None

Revised 12-15-93

HUSSMANN CORPORATION • BRIDGETON, MO 63044