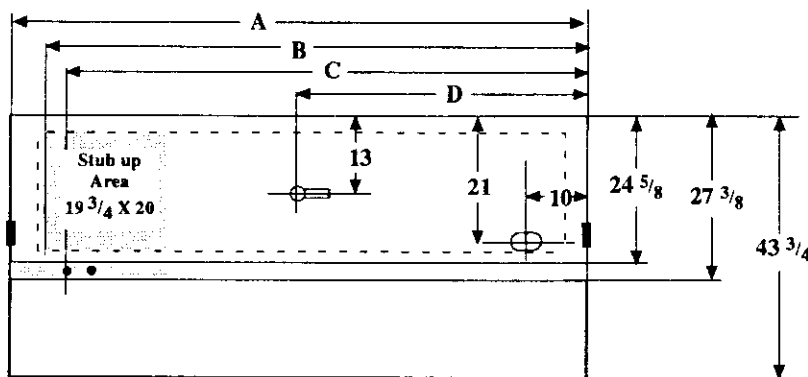
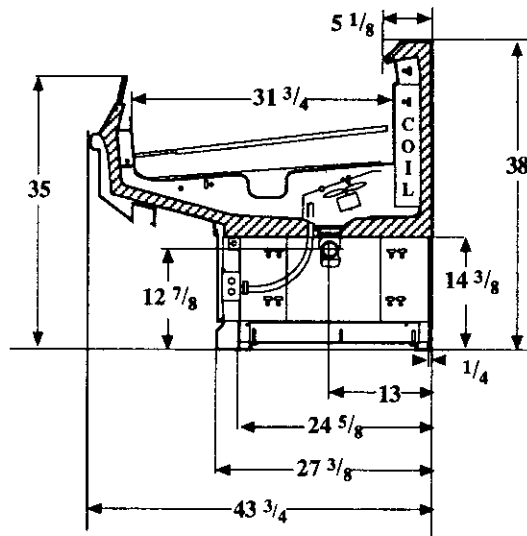


Single Deck, 1 Display Level, with Front Glass

Vision NM1G
Meat

Measurements in Inches



Electrical Service	Dimension	8' Case	12' Case
Waste Outlet	A	96 3/8	144 1/2
Refrigeration Outlet	B	90 3/8	138 1/2
Passageway Port	C	86 3/8	134 1/2
	D	48 1/8	72 1/4

Refrigeration Data

Discharge Air °F	24	20	*22
Evaporator °F	19	15	17
Unit Sizing °F	17	13	15

BTU/HR/FOOT

Parallel	325	355	340
Satellite	330	365	345
Conventional	340	375	355

*Hussmann recommends.

Fan Cycling	CI/CO 28/38°F
	Gas Defrost only

Defrost Data

Frequency Hrs	12
---------------	----

ELECTRIC

Temp Term °F	48
Failsafe Min	46

REVERSE AIR

Temp Term °F	48
Failsafe Min	70

GAS

Duration Min	14
--------------	----

OFFTIME

Duration Min	70
--------------	----

Conventional Controls

Low Pressure Backup Control	
CI/CO (PSIG)	
R-22 33/23	R-502 41/31

Indoor Condenser only, Pressure Defrost Termination (PSIG)

R-22 82	R-502 96
---------	----------

Physical Data

Merchandise	
Drip Pipe (ins)	1 1/2
Liquid Line (ins)	3/8
Suction Line (ins)	7/8

Evaporator Estimated Charge

Length	R-22 (lbs)	R-502 (lbs)
8	7	11
12	10	15

Length Added to Lineup by Ends and Partitions

Each End (ins)	1 1/2
----------------	-------

Each Insulated

Partition (ins)	1 1/2
-----------------	-------

Vision NM1G Meat

Electrical Data

Merchandiser	Amperes		Watts	
	8Ft	12Ft	8Ft	12Ft
Number of Fans - Evaporator	1	2		
Fans				
Standard	0.60	1.20	40	80
Energy Efficient	0.20	0.40	20	40
Reverse Air	0.31	0.62	30	60
Constant on Anti-sweat Heaters	NA			
Cycling Anti-sweat Heaters	0.8	1.0	96	120
Min. Circuit Ampacity				
With Standard Fans	0.80	1.40		
With Energy Efficient Fans	0.40	0.60		
With Reverse Air Fans	0.51	0.82		
Max. Over Current Protection	20	20		
Supplemental Gas Heaters	NA			
208V 1Φ Electric Defrost	5.2	7.8	1082	1622
120V 1Φ Supplemental Rev. Air	NA			

Standard Lighting
None

Revised 06-15-93