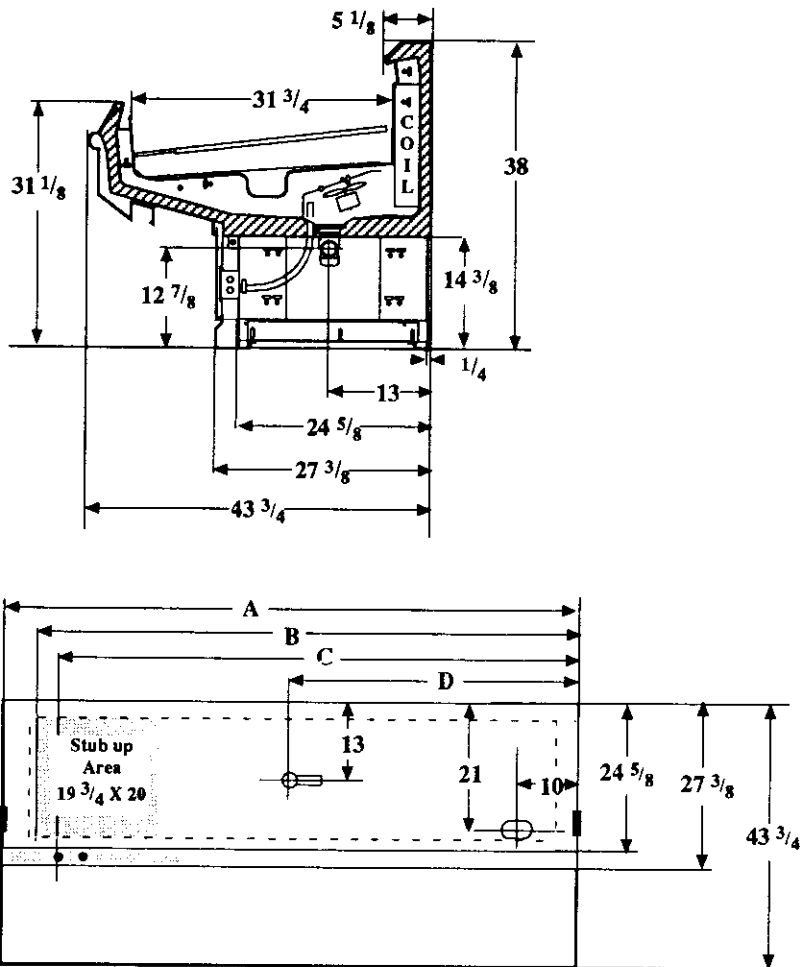


Vision NM1
Delicatessen

Measurements in Inches



	Electrical Service	Dimension	8' Case	12' Case
	Waste Outlet	A	96 3/8	144 1/2
	Refrigeration Outlet	B	90 3/8	138 1/2
	Passageway Port	C	86 3/8	134 1/2
		D	48 1/8	72 1/4

Refrigeration Data

Discharge Air °F	30
Evaporator °F	25
Unit Sizing °F	23

<i>BTU/HR/FOOT</i>	
Parallel	335
Satellite	345
Conventional	355

Fan Cycling CI/CO 28/38°F
Gas Defrost only

Defrost Data

Frequency Hrs	12
---------------	----

<i>ELECTRIC</i>	
Temp Term °F	48
Failsafe Min	46

<i>REVERSE AIR</i>	
Temp Term °F	48
Failsafe Min	70

<i>GAS</i>	
Duration Min	14

<i>OFFTIME</i>	
Duration Min	70

Conventional Controls

Low Pressure Backup Control
CI/CO (PSIG)
R-22 41/31 R-502 50/40

Indoor Condenser only, Pressure
Defrost Termination (PSIG)
R-22 77 R-502 90

Physical Data

Merchandise	
Drip Pipe (ins)	1 1/2
Liquid Line (ins)	3/8
Suction Line (ins)	7/8

Evaporator Estimated Charge		
Length	R-22	R-502
	(lbs)	(lbs)
8	7	11
12	10	15

Length Added to Lineup by
Ends and Partitions

Each End (ins) 1 1/2

Each Insulated
Partition (ins) 1 1/2

Vision NM1 Delicatessen
--

Electrical Data

Merchandiser	8Ft	12Ft		
Number of Fans - Evaporator	1	2		
	Amperes		Watts	
Merchandiser	8Ft	12Ft	8Ft	12Ft
Fans				
Standard Fans	0.60	1.20	40	80
Energy Efficient Fans	0.20	0.40	20	40
Reverse Air	0.31	0.62	30	60
Constant on Anti-sweat Heaters	NA			
Cycling Anti-sweat Heaters	0.8	1.0	96	120
Min. Circuit Ampacity				
With Standard Fans	0.80	1.40		
With Energy Efficient Fans	0.40	0.60		
With Reverse Air	0.51	0.82		
Max. Over Current Protection	20	20		
Supplemental Gas Heaters	NA			
208V 1Φ Electric Defrost	5.2	7.8	1082	1622
120V 1Φ Supplemental Rev. Air	NA			

Standard Lighting

None

Revised 12-15-93

HUSSMANN CORPORATION • BRIDGETON, MO 63044