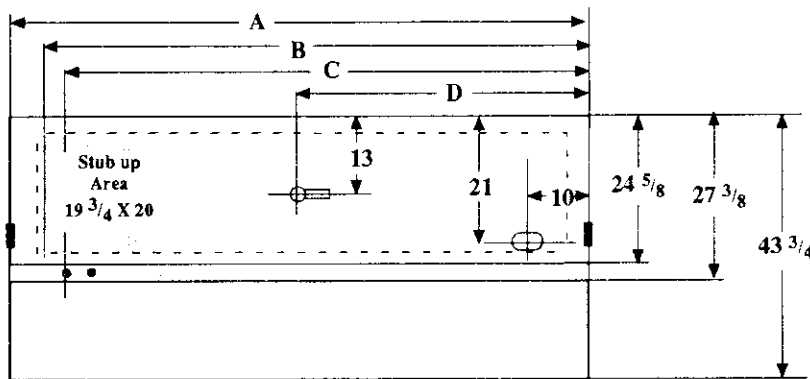
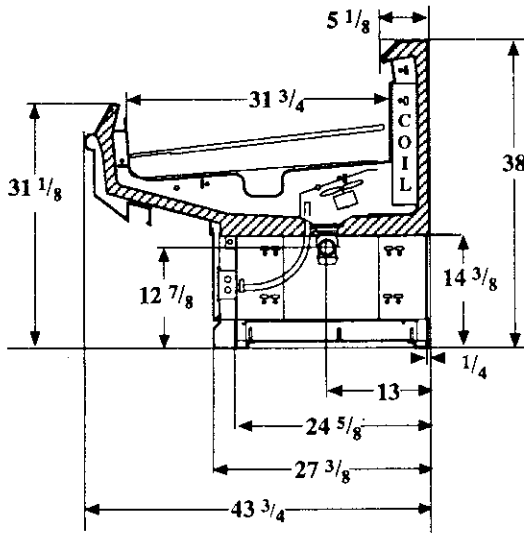


Vision NM1
Meat

Measurements in Inches



Electrical Service	Dimension	8' Case	12' Case
Waste Outlet	A	96 3/8	144 1/2
Refrigeration Outlet	B	90 3/8	138 1/2
Passageway Port	C	86 3/8	134 1/2
	D	48 1/8	72 1/4

Refrigeration Data

Discharge Air °F	24	20	*22
Evaporator °F	19	15	17
Unit Sizing °F	17	13	15

BTU/HR/FOOT

Parallel	395	430	415
Satellite	405	445	425
Conventional	415	455	435

*Hussmann recommends.

Fan Cycling	CI/CO 28/38°F
	Gas Defrost only

Defrost Data

Frequency Hrs	12
<i>ELECTRIC</i>	
Temp Term °F	48
Failsafe Min	46
<i>REVERSE AIR</i>	
Temp Term °F	48
Failsafe Min	70
<i>GAS</i>	
Duration Min	14
<i>OFFTIME</i>	
Duration Min	70

Conventional Controls

Low Pressure Backup Control	
CI/CO (PSIG)	
R-22 33/23	R-502 41/31

Indoor Condenser only, Pressure Defrost Termination (PSIG)	
R-22 82	R-502 96

Physical Data

Merchandiser	
Drip Pipe (ins)	1 1/2
Liquid Line (ins)	3/8
Suction Line (ins)	7/8

Evaporator Estimated Charge

Length	R-22 (lbs)	R-502 (lbs)
8	7	11
12	10	15

Length Added to Lineup by Ends and Partitions

Each End (ins)	1 1/2
----------------	-------

Each Insulated Partition (ins)	1 1/2
--------------------------------	-------

Vision NM1 Meat

Electrical Data

Merchandiser	8Ft	12Ft		
Number of Fans - Evaporator	1	2		
	Amperes		Watts	
Merchandiser	8Ft	12Ft	8Ft	12Ft
Fans				
Standard	0.60	1.20	40	80
Energy Efficient	0.20	0.40	20	40
Reverse Air	0.31	0.62	30	60
Constant on Anti-sweat Heaters	NA			
Cycling Anti-sweat Heaters	0.8	1.0	96	120
Min. Circuit Ampacity				
With Standard Fans	0.80	1.40		
With Energy Efficient Fans	0.40	0.60		
With Reverse Air Fans	0.51	0.82		
Max. Over Current Protection	20	20		
Supplemental Gas Heaters	NA			
208V 1Φ Electric Defrost	5.2	7.8	1082	1622
120V 1Φ Supplemental Rev. Air	NA			

Standard Lighting

None

Revised 06-15-93