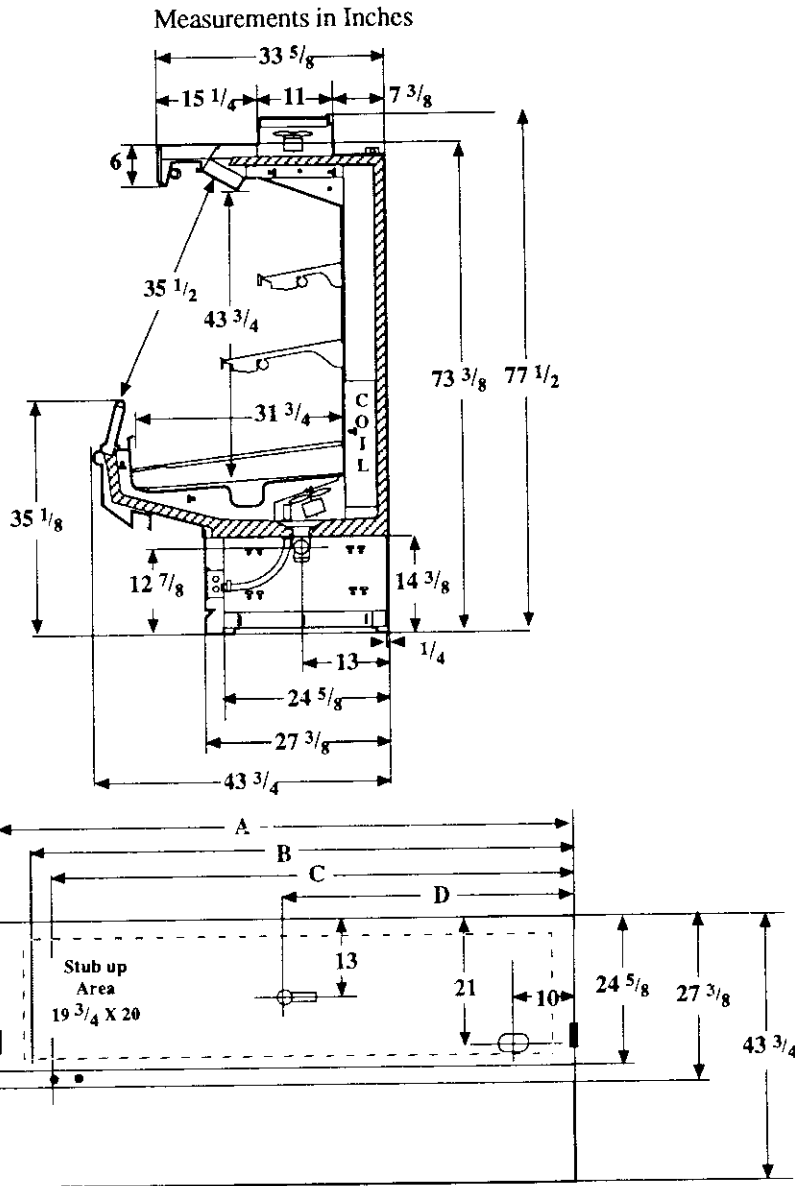


Multideck, 3 Display Levels, and Glass Front

Vision NM3G
Meat



Electrical Service	Dimension	8' Case	12' Case
○	A	96 3/8	144 1/2
○	B	90 3/8	138 1/2
○	C	86 3/8	134 1/2
○	D	48 1/8	72 1/4

Refrigeration Data

Discharge Air °F	24	20	*22
Evaporator °F	13	10	11
Unit Sizing °F	11	8	9

BTU/HR/FOOT

Parallel	1320	1435	1370
Satellite	1355	1470	1405
Conventional	1390	1510	1440

*Hussmann recommends.

Fan Cycling	CI/CO 28/38°F
	Gas Defrost only

Defrost Data

Frequency Hrs	6
<i>ELECTRIC</i>	
Temp Term °F	48
Failsafe Min	46
<i>REVERSE AIR</i>	
Temp Term °F	48
Failsafe Min	40
<i>GAS</i>	
Duration Min	14
<i>OFFTIME</i>	
Temp Term °F	48
Failsafe Min	46

Conventional Controls

Low Pressure Backup Control	
CI/CO (PSIG)	
R-22 27/17	R-502 35/25
Indoor Condenser only, Pressure Defrost Termination (PSIG)	
R-22 NA	R-502 NA

Physical Data

Merchandiser	
Drip Pipe (ins)	1 1/2
Liquid Line (ins)	3/8
Suction Line (ins)	1 7/8

Evaporator Estimated Charge

Length	R-22 (lbs)	R-502 (lbs)
8	11	12
12	18	18

Length Added to Lineup by Ends and Partitions

Each End (ins)	1 1/2
Each Insulated Partition (ins)	1 1/2

Vision NM3G Meat

Electrical Data

Merchandiser	Amperes		Watts	
	8Ft	12Ft	8Ft	12Ft
Number of Fans - Evaporator	3	4		
- Ambient	2	3		
Fans				
Standard	3.30	4.60	230	320
Energy Efficient	1.18	1.64	121	168
Reverse Air	2.13	3.04	170	240
Constant on Anti-sweat Heaters	NA			
Cycling Anti-sweat Heaters	1.6	2.0	192	240
Min. Circuit Ampacity				
With Standard Fans	3.50	4.80		
With Energy Efficient Fans	1.38	1.84		
With Reverse Air Fans	2.33	3.24		
Max. Over Current Protection	20	20		
Supplemental Gas Heaters	NA			
208V 1Φ Electric Defrost	5.2	7.8	1082	1622
120V 1Φ Supplemental Rev. Air	NA			
Standard Lighting*				
1 Row Canopy	[4.7]	[7.2]		
Advance	0.73	1.19	86	141
Valmont (GE)	0.73	1.13	86	134
Magnetec/Universal	0.73	1.17	86	136

*[] = Serial Plate Amperage includes wire harness for 3 rows of lighted shelves.

Revised 06-15-93