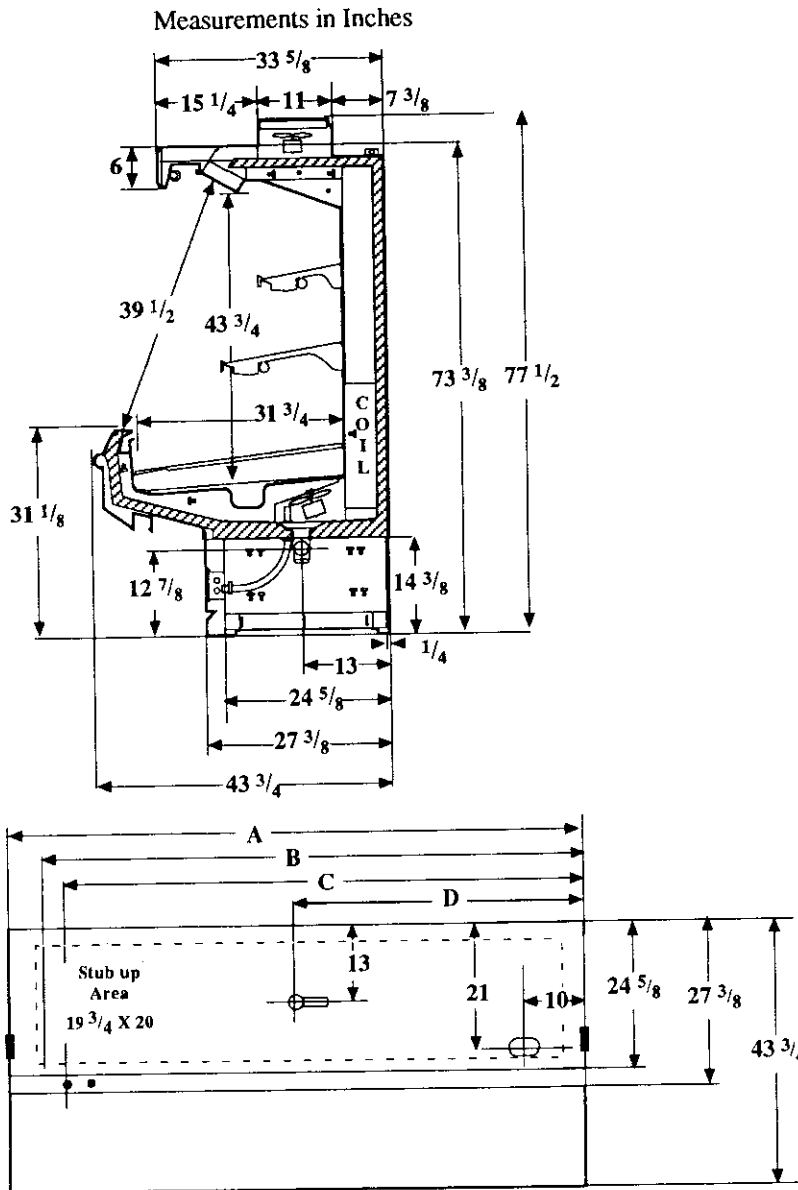


Multideck, 3 Display Levels

**Vision NM3**  
**Meat**



	Dimension	8' Case	12' Case
○	A	96 3/8	144 1/2
○	B	90 3/8	138 1/2
■	C	86 3/8	134 1/2
■	D	48 1/8	72 1/4

- Electrical Service
- Waste Outlet
- Refrigeration Outlet
- Passageway Port

**Refrigeration Data**

Discharge Air °F	24	20	*22
Evaporator °F	13	10	11
Unit Sizing °F	11	8	9
<b>BTU/HR/FOOT</b>			
Parallel	1485	1595	1545
Satellite	1525	1640	1585
Conventional	1565	1680	1625
*Hussmann recommends.			
Fan Cycling	CI/CO 28/38°F		
	Gas Defrost only		

**Defrost Data**

Frequency Hrs	6
<b>ELECTRIC</b>	
Temp Term °F	48
Failsafe Min	46
<b>REVERSE AIR</b>	
Temp Term °F	48
Failsafe Min	40
<b>GAS</b>	
Duration Min	14
<b>OFFTIME</b>	
Temp Term °F	48
Failsafe Min	46

**Conventional Controls**

Low Pressure Backup Control	
CI/CO (PSIG)	
R-22 27/17	R-502 35/25
Indoor Condenser only, Pressure Defrost Termination (PSIG)	
R-22 NA	R-502 NA

**Physical Data**

<b>Merchandiser</b>		
Drip Pipe (ins)		1 1/2
Liquid Line (ins)		3/8
Suction Line (ins)		1 1/8
<b>Evaporator Estimated Charge</b>		
Length	R-22 (lbs)	R-502 (lbs)
8	11	12
12	18	18

**Length Added to Lineup by Ends and Partitions**

Each End (ins)	1 1/2
Each Insulated Partition (ins)	1 1/2

**Vision NM3****Meat****Electrical Data**

Merchandise	Amperes		Watts	
	8Ft	12Ft	8Ft	12Ft
Merchandise				
Number of Fans - Evaporator	3	4		
- Ambient	2	3		
Fans				
Standard	3.30	4.60	230	320
Energy Efficient	1.18	1.64	121	168
Reverse Air	2.13	3.04	170	240
Constant on Anti-sweat Heaters	NA			
Cycling Anti-sweat Heaters	1.6	2.0	192	240
Min. Circuit Ampacity				
With Standard Fans	3.50	4.80		
With Energy Efficient Fans	1.38	1.84		
With Reverse Air Fans	2.33	3.24		
Max. Over Current Protection	20	20		
Supplemental Gas Heaters	NA			
208V 1Φ Electric Defrost	5.2	7.8	1082	1622
120V 1Φ Supplemental Rev. Air	NA			
<b>Standard Lighting*</b>				
1 Row Canopy	[4.7]	[7.2]		
Advance	0.73	1.19	86	141
Valmont (GE)	0.73	1.13	86	134
Magnatec/Universal	0.73	1.17	86	136

\*[ ] = Serial Plate Amperage includes wire harness for 3 rows of lighted shelves.

Revised 06-15-93