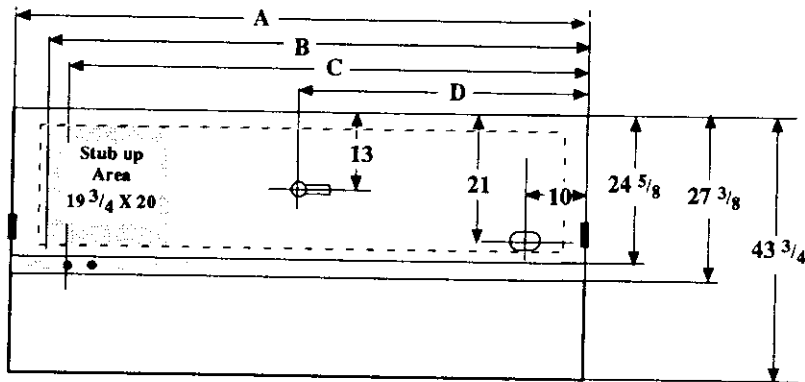
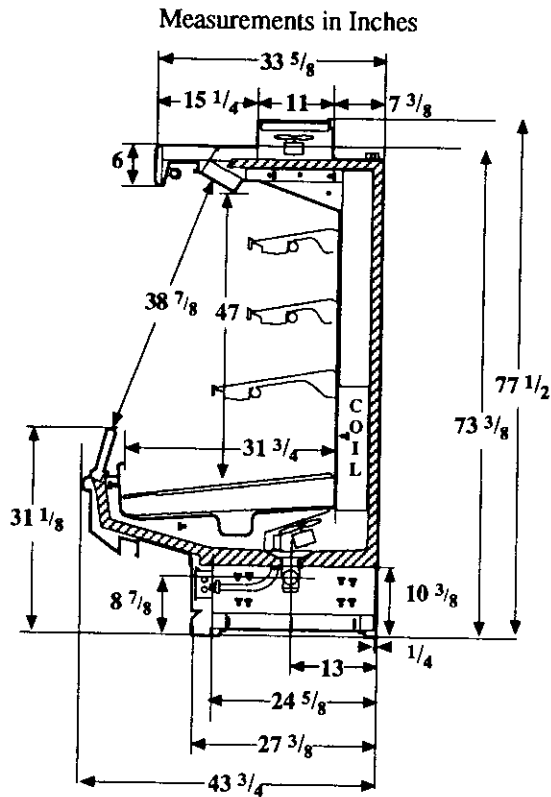


Vision NM4G
Delicatessen



Electrical Service	Dimension	8' Case	12' Case
Waste Outlet	A	96 3/8	144 1/2
Refrigeration Outlet	B	90 3/8	138 1/2
Passageway Port	C	86 3/8	134 1/2
	D	48 1/8	72 1/4

Refrigeration Data

Discharge Air °F	32
Evaporator °F	20
Unit Sizing °F	18
BTU/HR/FOOT	
Parallel	1370
Satellite	1405
Conventional	1445
Fan Cycling	CI/CO 28/38°F Gas Defrost only

Defrost Data

Frequency Hrs	6
ELECTRIC	
Temp Term °F	48
Failsafe Min	46
REVERSE AIR	
Temp Term °F	48
Failsafe Min	40
GAS	
Duration Min	14
OFFTIME	
Temp Term °F	48
Failsafe Min	46

Conventional Controls

Low Pressure Backup Control	
CI/CO (PSIG)	
R-22 36/26	R-502 44/34
Indoor Condenser only, Pressure Defrost Termination (PSIG)	
R-22 NA	R-502 NA

Physical Data

Merchandiser	
Drip Pipe (ins)	1 1/2
Liquid Line (ins)	3/8
Suction Line (ins)	7/8

Evaporator Estimated Charge	Length	R-22 (lbs)	R-502 (lbs)
	8	11	12
	12	18	18

Length Added to Lineup by Ends and Partitions	
Each End (ins)	1 1/2
Each Insulated Partition (ins)	
	1 1/2

Vision NM4G Delicatessen

Electrical Data

Merchandiser	Amperes		Watts	
	8Ft	12Ft	8Ft	12Ft
Number of Fans - Evaporator	3	4		
- Ambient	2	3		
Fans				
Standard Fans	3.30	4.60	230	320
Energy Efficient Fans	1.18	1.64	121	168
Reverse Air	2.13	3.04	170	240
Constant on Anti-sweat Heaters	NA			
Cycling Anti-sweat Heaters	1.6	2.0	192	240
Min. Circuit Ampacity				
With Standard Fans	3.50	4.80		
With Energy Efficient Fans	1.38	1.84		
With Reverse Air	2.33	3.24		
Max. Over Current Protection	20	20		
Supplemental Gas Heaters	NA			
208V 1Φ Electric Defrost	5.2	7.8	1082	1622
120V 1Φ Supplemental Rev. Air	NA			
Standard Lighting*				
1 Row Canopy	[4.7]	[7.2]		
Advance	0.73	1.19	86	141
Valmont (GE)	0.73	1.13	86	134
Magnatec/Universal	0.73	1.17	86	136

*[] = Serial Plate Amperage includes wire harness for 3 rows of lighted shelves.