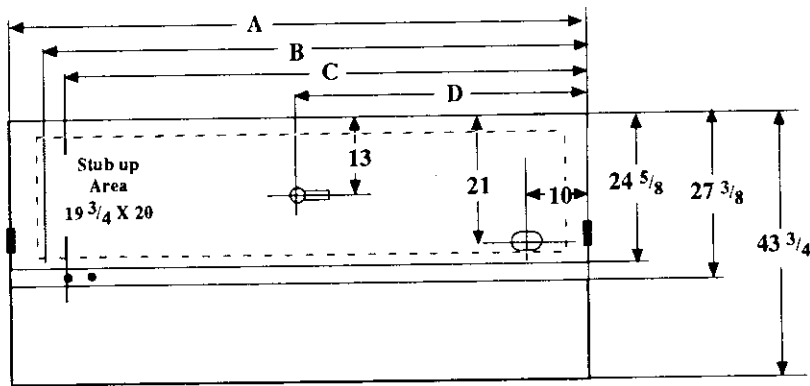
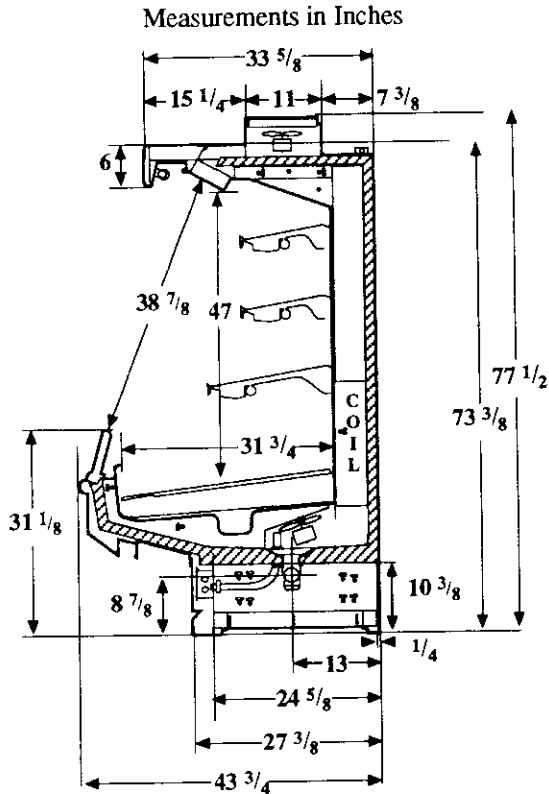


Vision NM4G
Meat



Electrical Service	Dimension	8' Case	12' Case
Waste Outlet	A	96 3/8	144 1/2
Refrigeration Outlet	B	90 3/8	138 1/2
Passageway Port	C	86 3/8	134 1/2
	D	48 1/8	72 1/4

Refrigeration Data

Discharge Air °F	24	20	*22
Evaporator °F	13	10	11
Unit Sizing °F	11	8	9

BTU/HR/FOOT

Parallel	1430	1555	1485
Satellite	1470	1595	1525
Conventional	1510	1640	1560

*Hussmann recommends.

Fan Cycling	CI/CO 28/38°F
	Gas Defrost only

Defrost Data

Frequency Hrs	6
ELECTRIC	
Temp Term °F	48
Failsafe Min	46
REVERSE AIR	
Temp Term °F	48
Failsafe Min	40
GAS	
Duration Min	14
OFFTIME	
Temp Term °F	48
Failsafe Min	46

Conventional Controls

Low Pressure Backup Control	
CI/CO (PSIG)	
R-22 27/17	R-502 35/25

Indoor Condenser only, Pressure Defrost Termination (PSIG)	
R-22 NA	R-502 NA

Physical Data

Merchandiser	
Drip Pipe (ins)	1 1/2
Liquid Line (ins)	3/8
Suction Line (ins)	1 1/8

Evaporator Estimated Charge

Length	R-22 (lbs)	R-502 (lbs)
8	11	12
12	18	18

Length Added to Lineup by Ends and Partitions

Each End (ins)	1 1/2
Each Insulated Partition (ins)	1 1/2

Vision NM4G Meat

Electrical Data

Merchandiser	Amperes		Watts	
	8Ft	12Ft	8Ft	12Ft
Number of Fans - Evaporator	3	4		
- Ambient	2	3		
Fans				
Standard	3.30	4.60	230	320
Energy Efficient	1.18	1.64	121	168
Reverse Air	2.13	3.04	170	240
Constant on Anti-sweat Heaters	NA			
Cycling Anti-sweat Heaters	1.6	2.0	192	240
Min. Circuit Ampacity				
With Standard Fans	3.50	4.80		
With Energy Efficient Fans	1.38	1.84		
With Reverse Air Fans	2.33	3.24		
Max. Over Current Protection	20	20		
Supplemental Gas Heaters	NA			
208V 1Φ Electric Defrost	5.2	7.8	1082	1622
120V 1Φ Supplemental Rev. Air	NA			
Standard Lighting*				
1 Row Canopy	[4.7]	[7.2]		
Advance	0.73	1.19	86	141
Valmont (GE)	0.73	1.13	86	134
Magnetec/Universal	0.73	1.17	86	136

*[] = Serial Plate Amperage includes wire harness for 3 rows of lighted shelves.

Revised 06-15-93